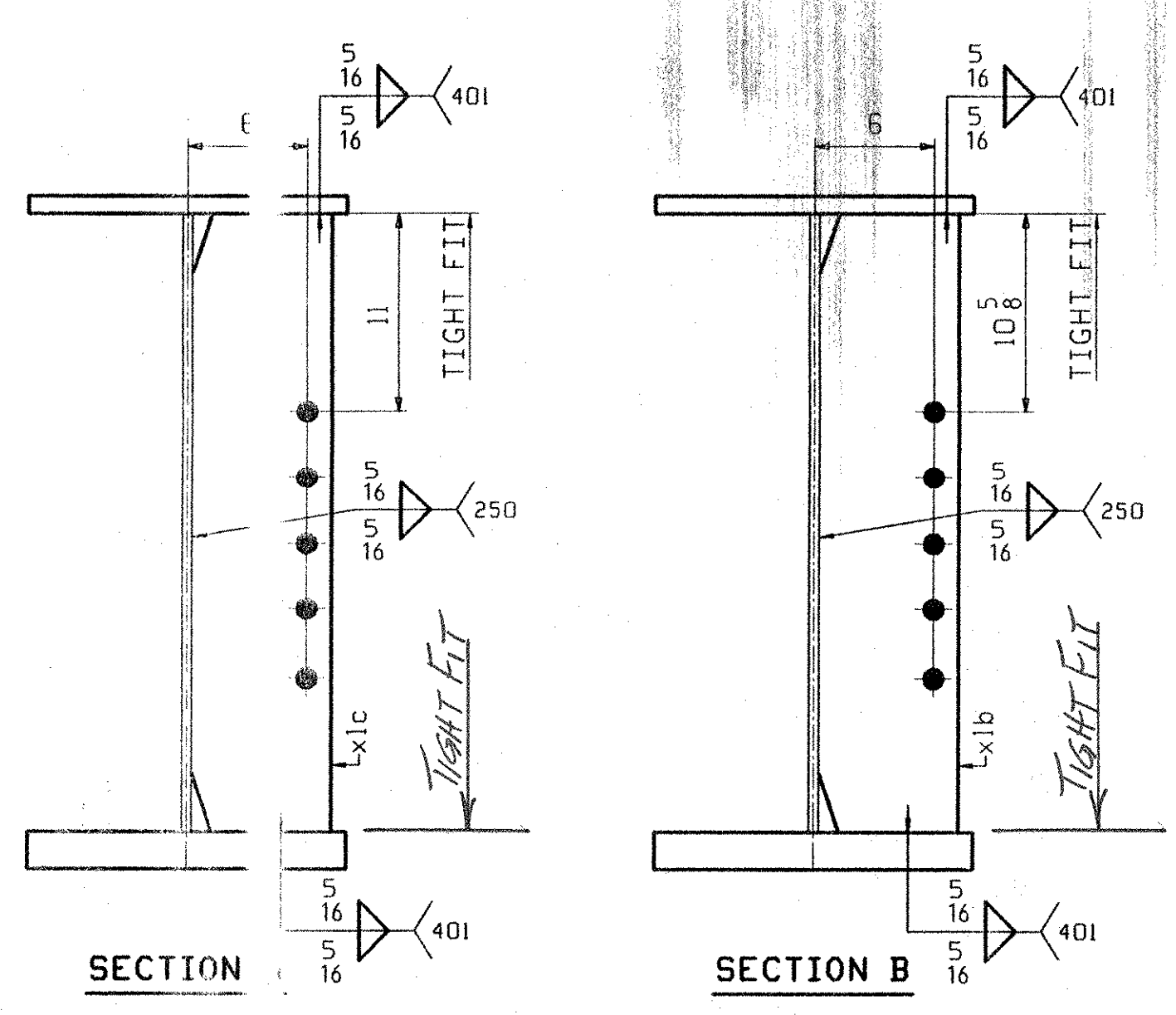
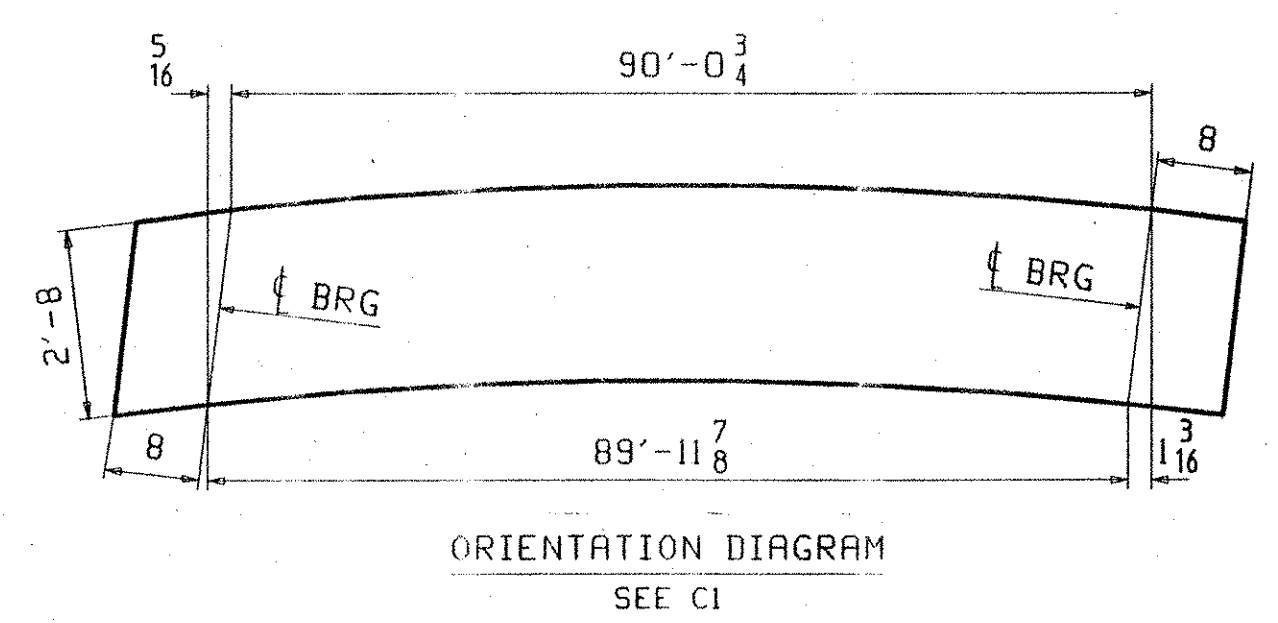
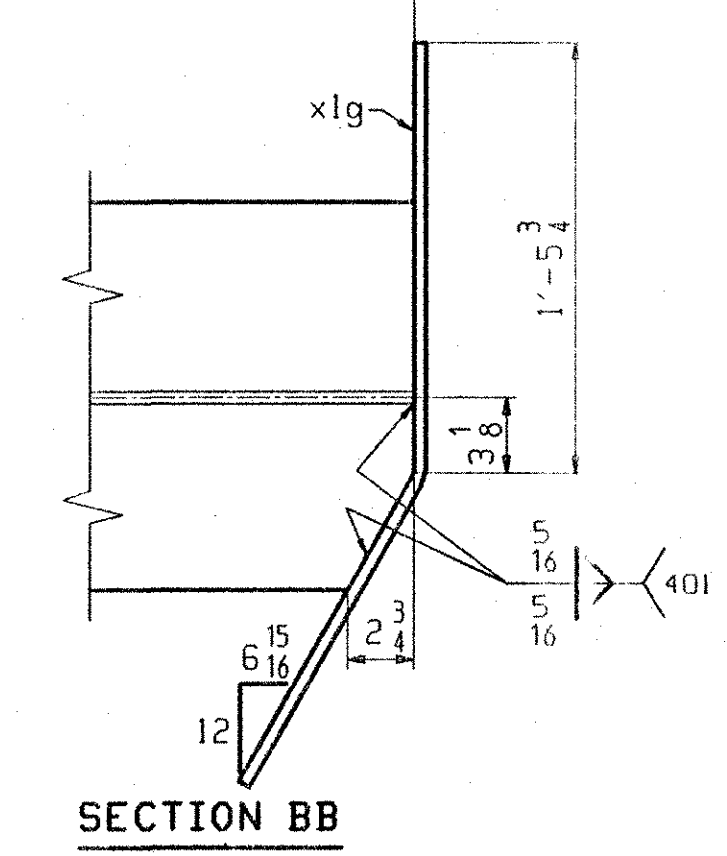
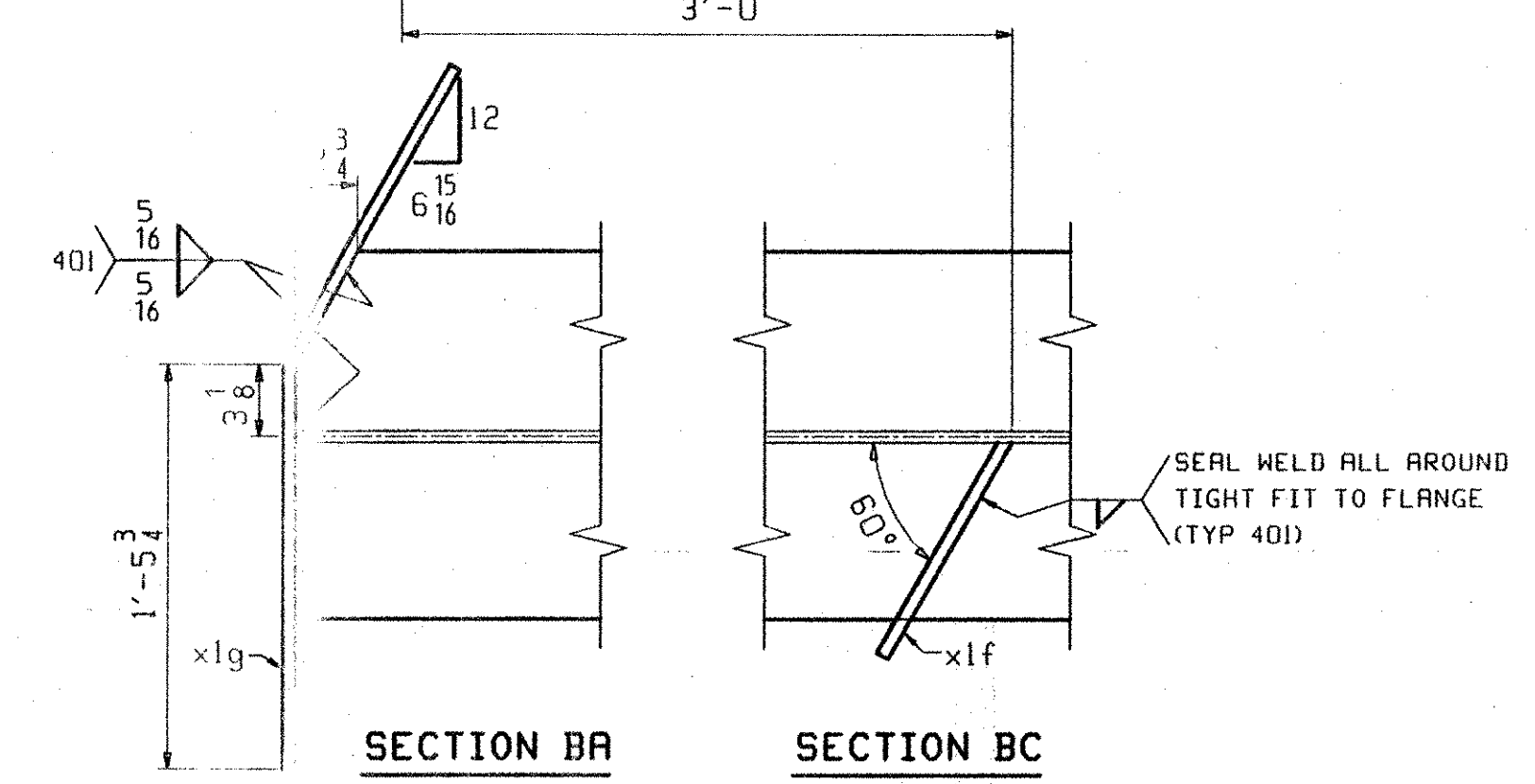


ABM INFO		SHIP	BILL OF MATERIAL				JOB NO.	DRAWING NO.	REV.
PAGE	LINE	MARK	QTY	MARK	MATERIAL	LENGTH FT INCHES	REMARKS	WT	PROCUREMENT NOTE
					GIRDER			19115	
1	J	1	wa	PL 1/2 x 33 5/8	45 8 1/2	(M270-50HT2) (H2-3)			
1	J	1	wb	PL 1/2 x 33 5/8	45 3/8	(M270-50HT2) (H2-3)			
1	E	1	ta	PL 7/8 x 16	50 0				
1	G	1	tb	PL 7/8 x 16	41 4 3/4				
1	A	1	ba	PL 1 1/8 x 16	50 0	(A709-50HT2) (H2-3)			
1	C	1	bb	PL 1 1/8 x 16	41 3/8	(A709-50HT2) (H2-3)			
2	B	3	x1c	PL 1/2 x 2 1/2	2 8				
2	B	2	x1d	PL 1/2 x 2 1/2	2 8				
2	E	1	x1e	PL 1/2 x 3 1/2	0 11 1/4				
2	D	2	x1g	PL 1/2 x 9	2 8 7/8	RENT			

ONE - GIRDER - 5G5
 FOR GIRDER STANDARD DETAILS SEE DRAWING XI.
 FOR CAMBER DIAGRAM SEE DRAWING CI.
 FOR GENERAL NOTES SEE DRAWING GNI.
 H2-3 DENOTES MATERIAL SUBJECT TO CHARPY V-NOTCH TESTING.



RECEIVED
 DEC 09 2003
 APPROVED *As Noted*
 BY *RRW* DATE *1-8-04*

OUT FOR APPROVAL	12-1-03											
OUT FOR APPROVAL												
ISSUED TO SHOP												
FIELD & OFFICE												
REV.	REMARKS	DATE	DWN	CHK	APP	Q.A.	NO.	DIA.	LGT	TYPE	WASHER	
	MATERIAL:	ELECTRODES:		HOLES:		SHOP BOLTS:						
	A709-50W (UN)			15/16 Ø (UN)		NONE						
SURFACE PREP. & PAINT:												
NONE												
DESCRIPTION: GIRDER - 5G5										DRAWN BY	DATE	
JOB: BOSTWICK ROAD OVER VERMONT RAILWAY										JTB	11/14	
BRIDGE NO. 15 HIGHWAY NO. TH 3										CHKD BY		
TOWN OF SHELBURNE										FTM	11/21/03	
ENGR: McFarland-Johnson, INC.										APPROV BY		
CONTRACTOR: S.D. IRELAND BROS. CORP.										SUPERVISOR	H. J. GATTI	
PROJ NO.	BRO 1445(30)										Q.A.	
CUSTOMER: VERMONT AGENCY OF TRANSPORTATION												
CASCO BAY STEEL STRUCTURES, INC.										JOB NO.	DRG. NO.	
75 SPRING HILL ROAD SACO, MAINE 04072										209	5	
PHONE (207) 282-7360 FAX. (207) 282-1179										REV.	△	