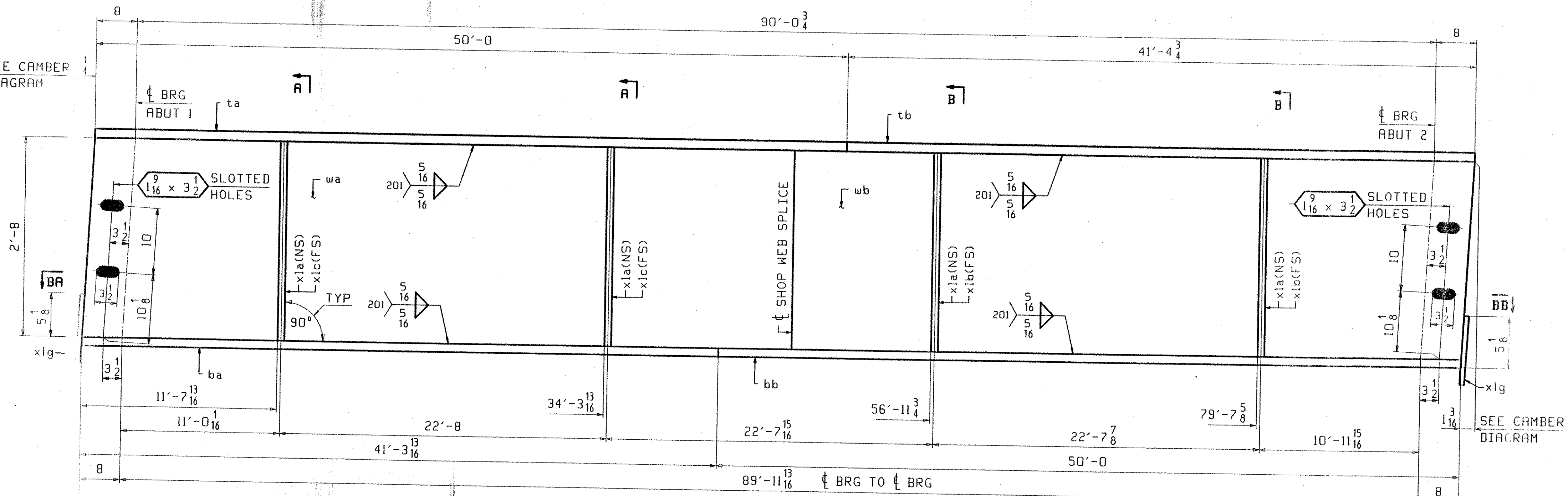
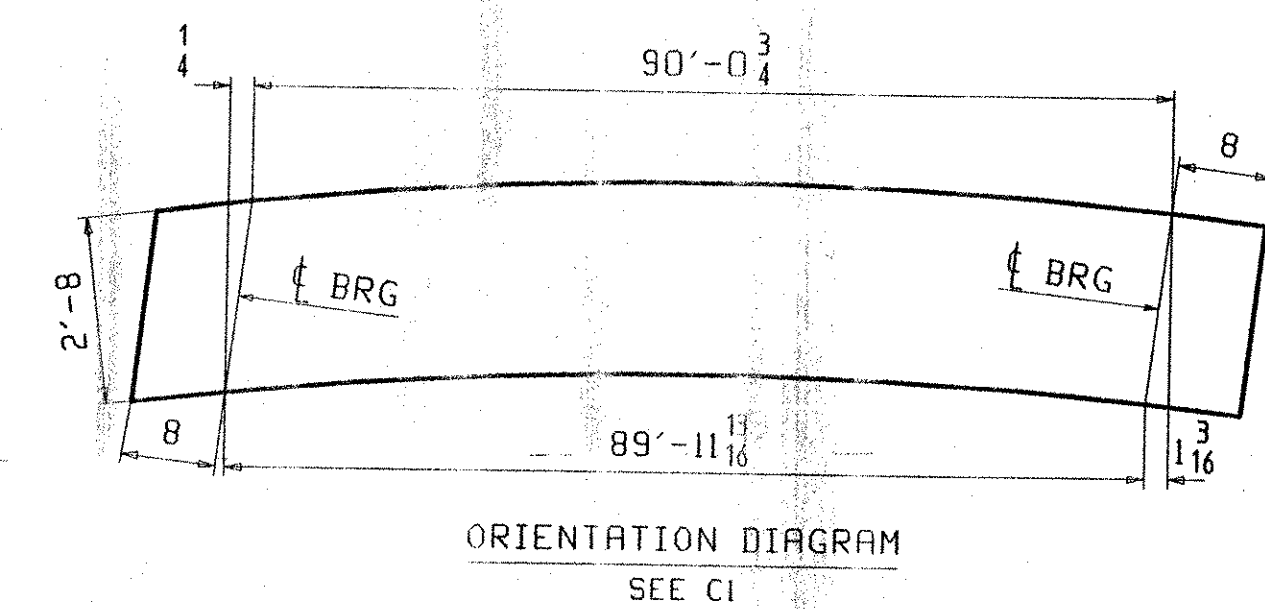
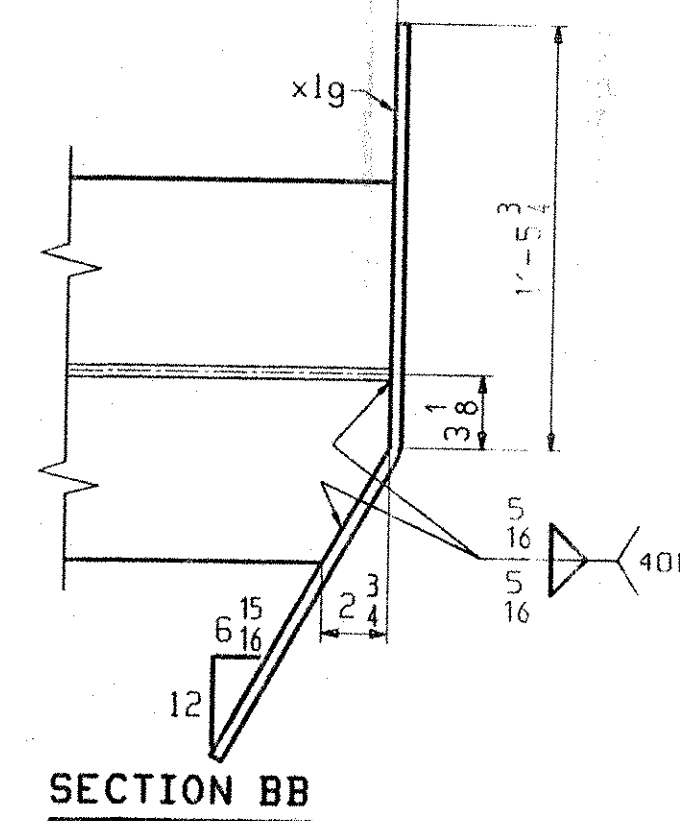
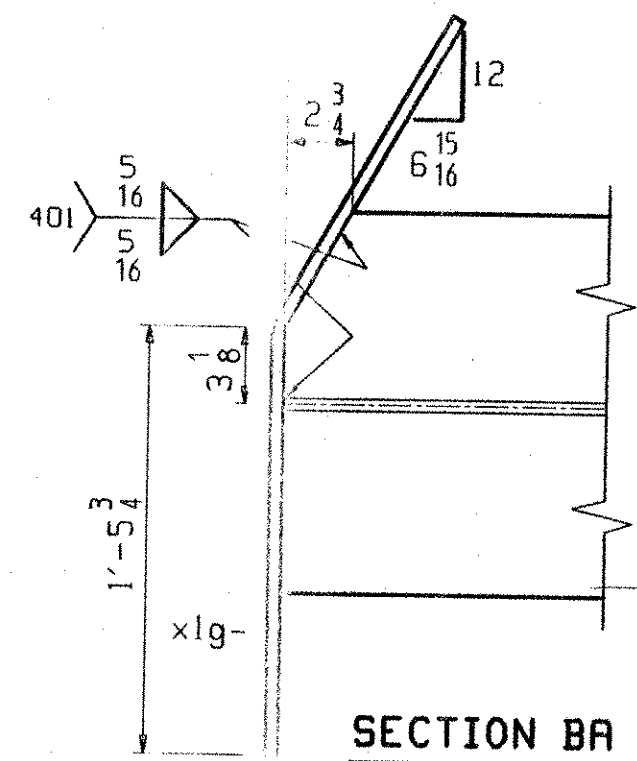


SEE CAMBER  
DIAGRAM

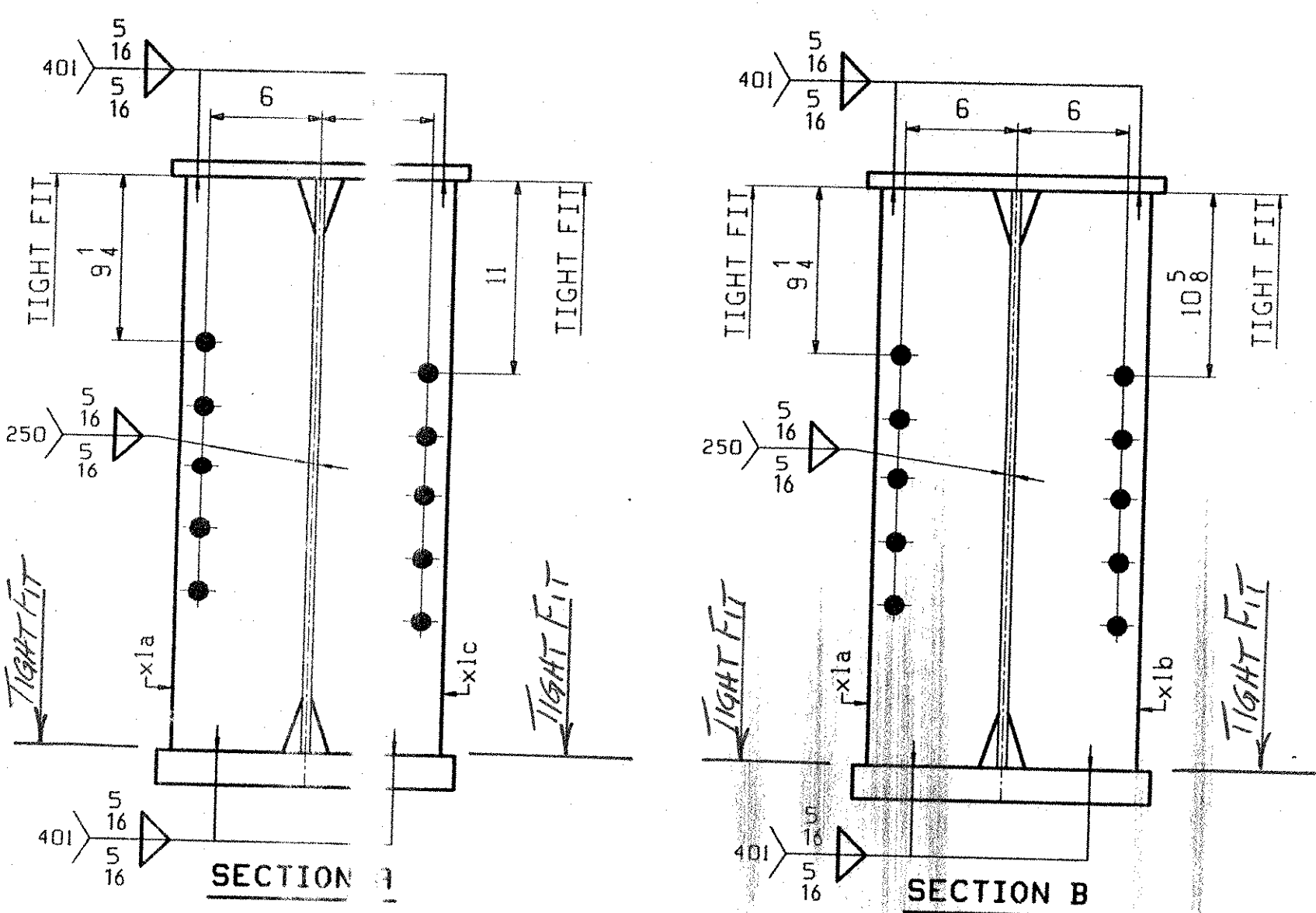


**ONE - GIRDER - 3G3**

FOR GIRDER STANDARD DETAILS SEE DRAWING XI.  
FOR CAMBER DIAGRAM SEE DRAWING CI.  
FOR GENERAL NOTES SEE DRAWING GNI.  
H2-3 DENOTES MATERIAL SUBJECT TO CHARPY V-NOTCH TESTING.



ABM INFO		SHIP		BILL OF MATERIAL				JOB NO.	DRAWING NO.	REV.
PAGE	LINE	MARK	QTY	MARK	MATERIAL	LENGTH FT INCHES		REMARKS	WT	PROCUREMENT NOTES
					GIRDER				19223	
1	J		1	ba	PL 1/2 x 33 5/8	45	8 1/2	(M270-50WT2) (H2-3)		
1	J		1	bb	PL 1/2 x 33 5/8	45	9 1/16	(M270-50WT2) (H2-3)		
1	E		1	a	PL 7/8 x 16	50	0			
1	G		1	b	PL 7/8 x 16	41	4 3/4			
1	C		1	ba	PL 1/2 x 16	41	3 13/16	(A209-50WT2) (H2-3)		
1	A		1	bb	PL 1/2 x 16	50	0	(A209-50WT2) (H2-3)		
2	B		4	la	PL 1/2 x 7 1/2	2	8			
2	B		2	lc	PL 1/2 x 7 1/2	3	8			
2	B		2	lb	PL 1/2 x 7 1/2	2	8			
2	D		2	lg	PL 1/2 x 9	2	8 7/8	BENT		



OUT FOR APPROVAL 12/1/03

OUT FOR APPROVAL

ISSUED TO SHOP

FIELD & OFFICE

REV. REMARKS DATE DWN CHK APP Q.A. NO. DIA. LGT TYPE WASHER

MATERIAL: A709-50W (UN) ELECTRODES: HOLES: 15/16" Ø (UN) SHOP BOLTS: NONE

SURFACE PREP. & PAINT: NONE

DESCRIPTION: GIRDER - 3G3 DRAWN BY DATE

JOB: BOSTWICK ROAD OVER VERMONT RAILWAY BRIDGE NO. 15 HIGHWAY NO. TH 3 JTB 11/14

TOWN OF SHELburne ENGR: McFarland-Johnson, INC. FTM 11/21/03

CONTRACTOR: S.D. IRELAND BROS. CORP. APPROV BY SUPERVISOR W. J. GATTI

PROJ NO. BRG 1445(20) O.A.

CUSTOMER: VERMONT AGENCY OF TRANSPORTATION

**CASCO BAY STEEL STRUCTURES, INC.** JOB NO. DRG. NO. 209 3

75 SPRING HILL ROAD SACO, MAINE 04072 PHONE (207) 282-7360 FAX. (207) 282-1179

RECEIVED  
 CK'D BY \_\_\_\_\_ OK'D BY \_\_\_\_\_  
 DEC 09 2003  
 RESUBMIT APPROVED *As Noted*  
 BY *PRW* DATE *1-8-04*