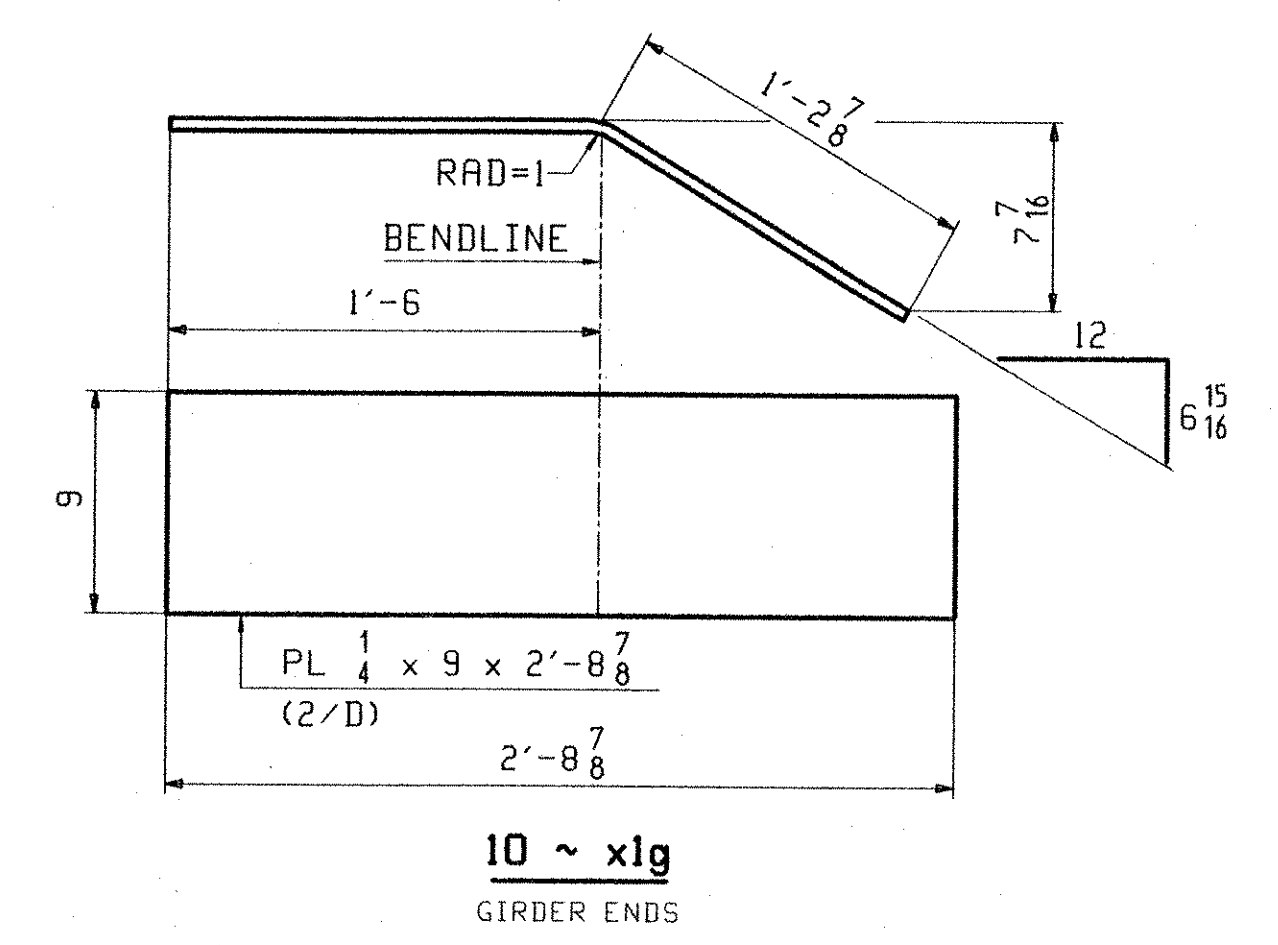
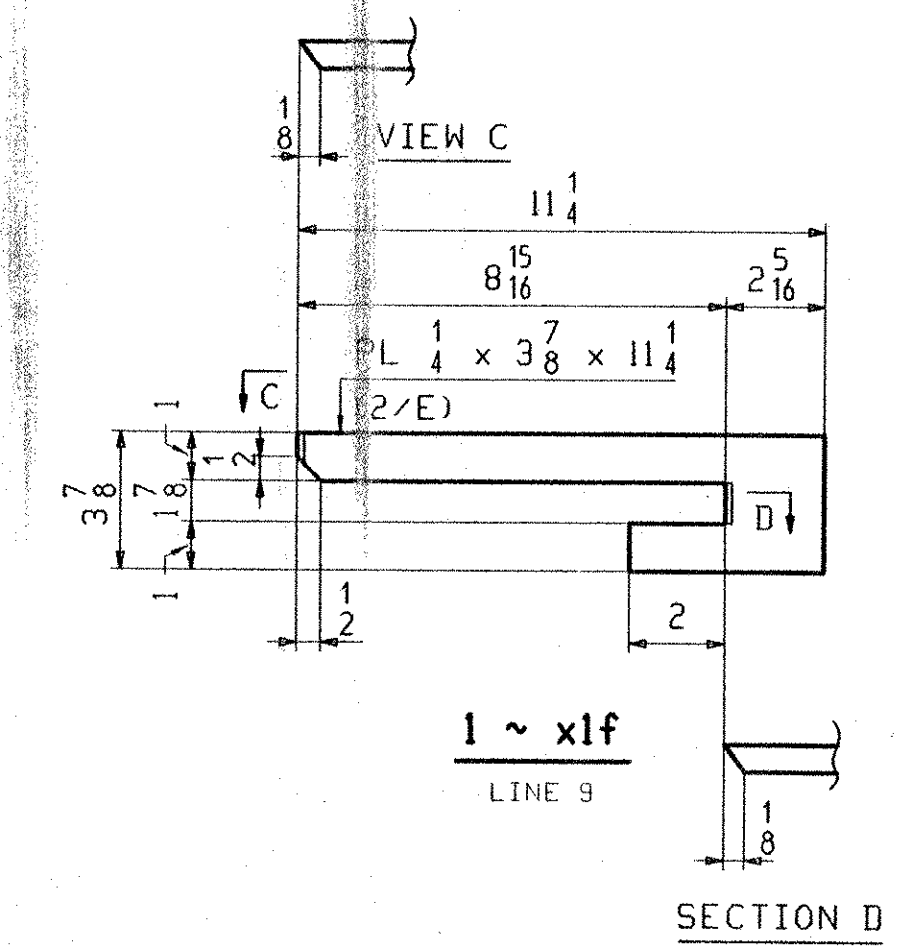
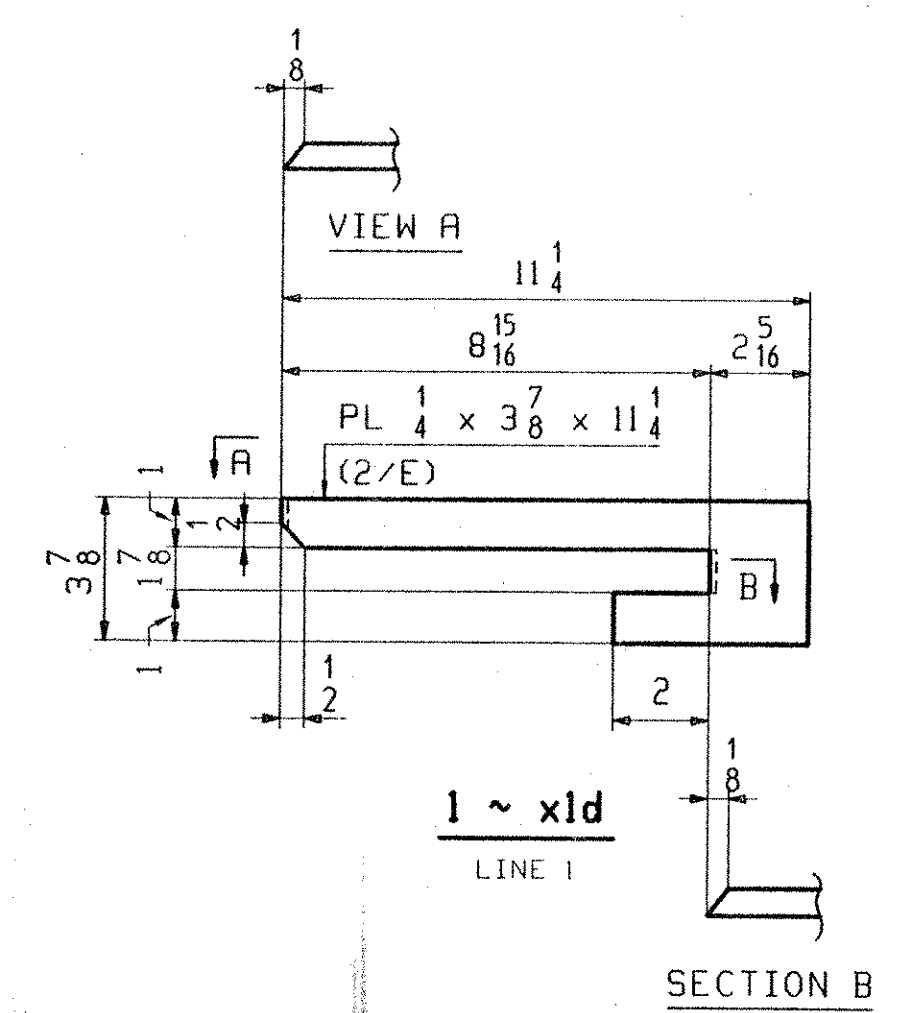


MARK	"A"	QTY	(A)
1a		18	9 1/4
1b		9	10 5/8
1c		9	11



RECEIVED
 OK'D BY _____ OK'D BY _____
 DEC 09 2003
 RESUBMIT APPROVED
 BY RRW DATE 1-8-04

- NOTES:
 1. ALL MATERIAL TO BE A709-50W.
 2. FOR GENERAL NOTES SEE DRAWING GNI.
 3. ALL BOLT HOLES SHALL BE 15/16" Ø FOR 7/8" HSB.

OUT FOR APPROVAL	12-1-03									
ISSUED TO SHOP										
FIELD & OFFICE										

REV.	REMARKS	DATE	DWN	CHK	APP	Q.A.	NO.	DIA.	LGT	TYPE	WASHER
MATERIAL:	A709-50W										
ELECTRODES:											
HOLES:	15/16" Ø										
SHOP BOLTS:	NONE										

SURFACE PREP. & PAINT:
 NONE

DESCRIPTION:	GIRDER STANDARDS	DRAWN BY	DATE
JOB:	BOSTWICK ROAD OVER VERMONT RAILWAY BRIDGE NO. 15 HIGHWAY NO. TH 3	JTB	11/14
	TOWN OF SHELburnE	FTM	11/21/03
	ENGR: McFarland-Johnson, INC.	APPROV BY	
	CONTRACTOR: S.D. IRELAND BROS. CORP.	SUPERVISOR	W. J. GATTI

PROJ NO.	BRO 1445(30)	Q.A.	
CUSTOMER:	VERMONT AGENCY OF TRANSPORTATION		
CASCO BAY STEEL STRUCTURES, INC.	JOB NO.	DRG. NO.	
75 SPRING HILL ROAD	209	X1	
SACO, MAINE 04072			
PHONE (207) 282-7360	FAX (207) 282-1179	REV.	△