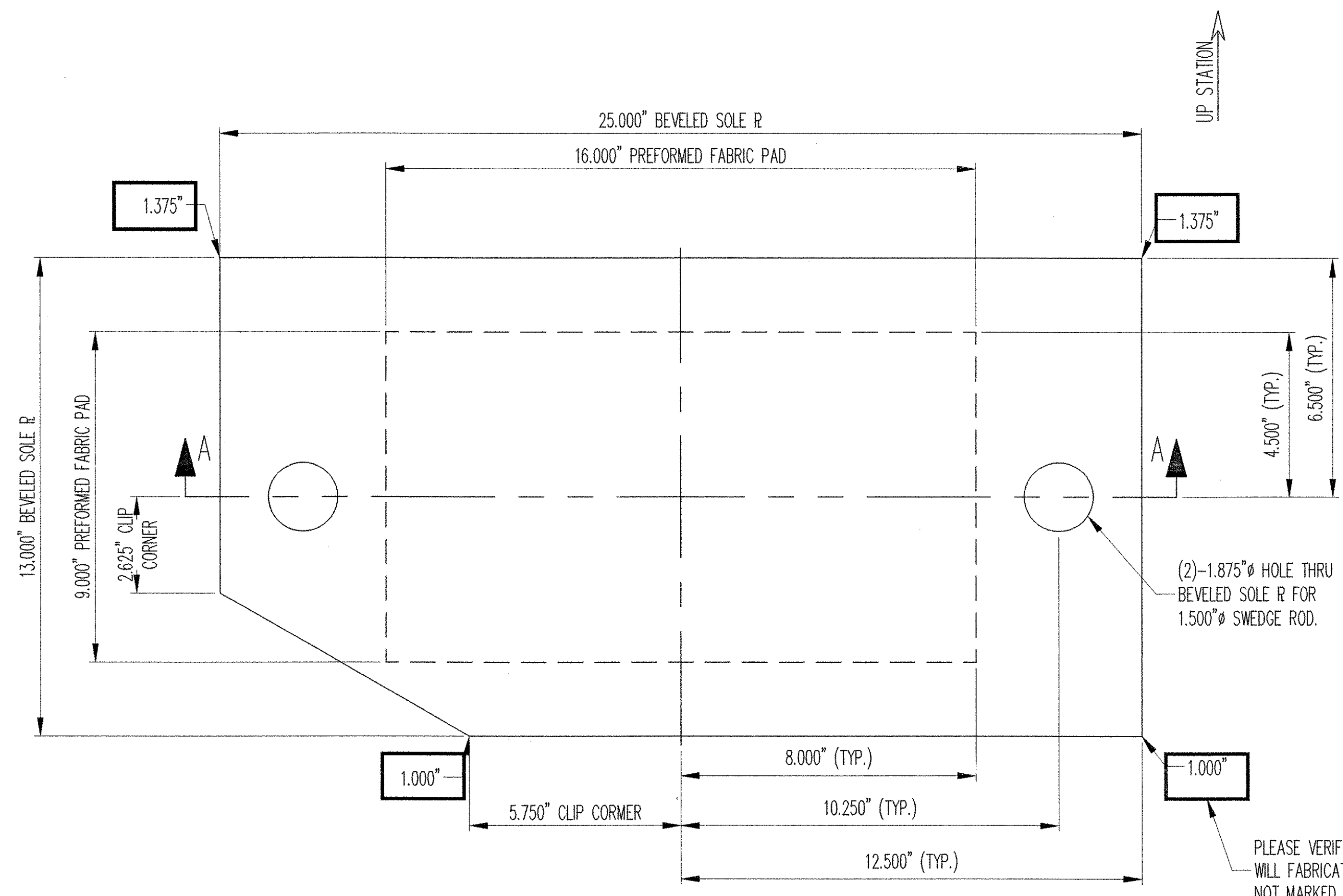
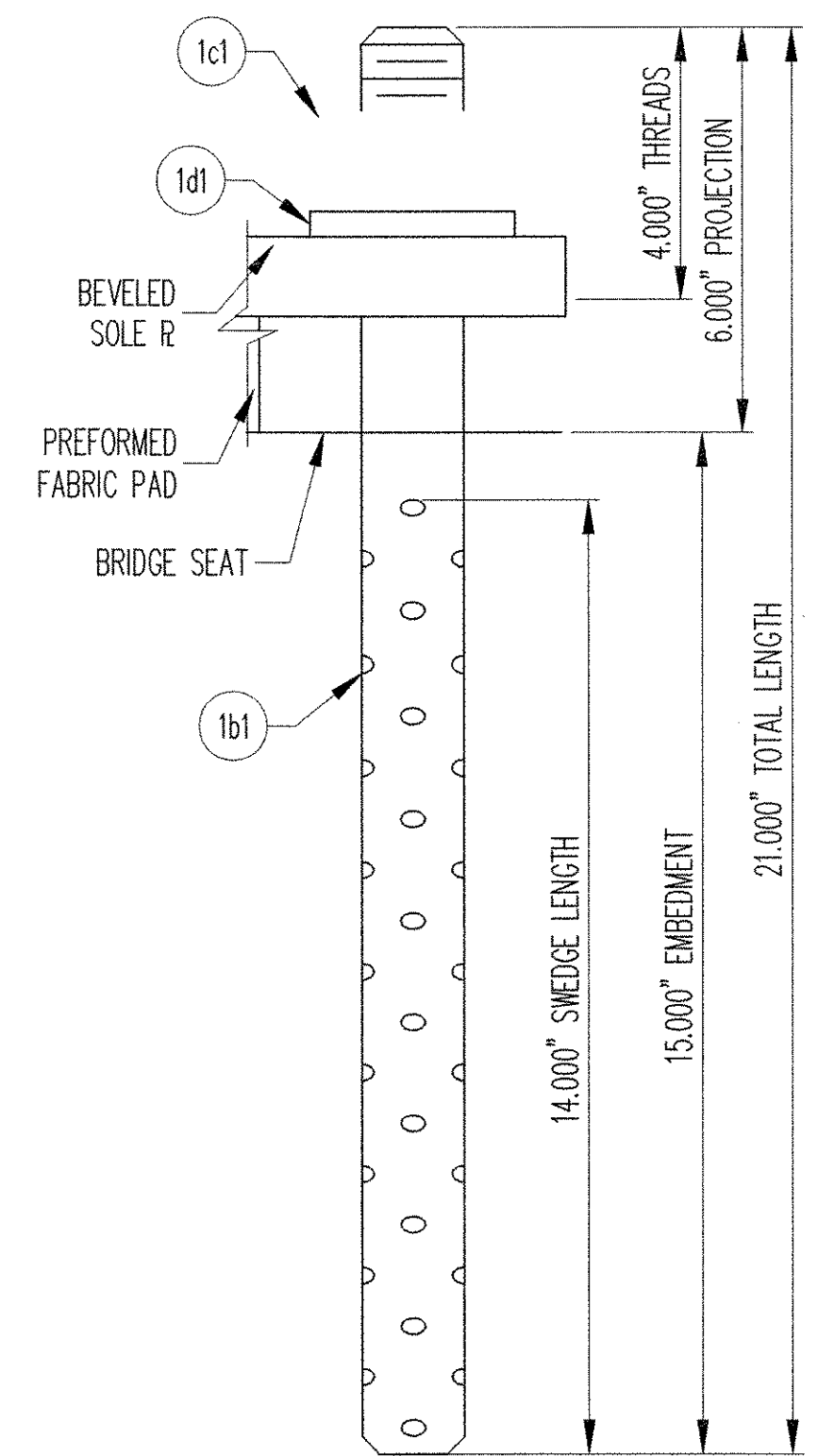


MK	QTY.	DESCRIPTION	MATERIAL	LENGTH	REMARKS	PART NO.
1A	5	PREFORMED FABRIC BEARING				
1a1	5	1.750" X 16.000"	AASHTO 18.4.10.1	9.000"	EPOXY BOND TO SOLE PLATE	
1sp1	5	1.375" X 25.000"	A709 GR 36	13.000"	BEVEL, CLIP CORNER; METALIZE	
1B	10	SWEDGE ROD				
1b1	10	1.500"Ø X 21.000"	A449		4.000" THREADS, 14.000" SWEDGE, A153-HDG	
1C	10	HEAVY HEX NUT				
1c1	10	1.500"Ø	A563-DH/A194-2H		A153-HDG	
1D	10	WASHER PLATE				
1d1	10	0.375" X 3.000"	A36	3.000"	1.875" DIAMETER HOLE @ CENTER OF PLATE; A153-HDG	

NOTE: ALL MATERIAL SPECIFICATION DESCRIPTIONS ARE ASTM, UNLESS OTHERWISE NOTED.

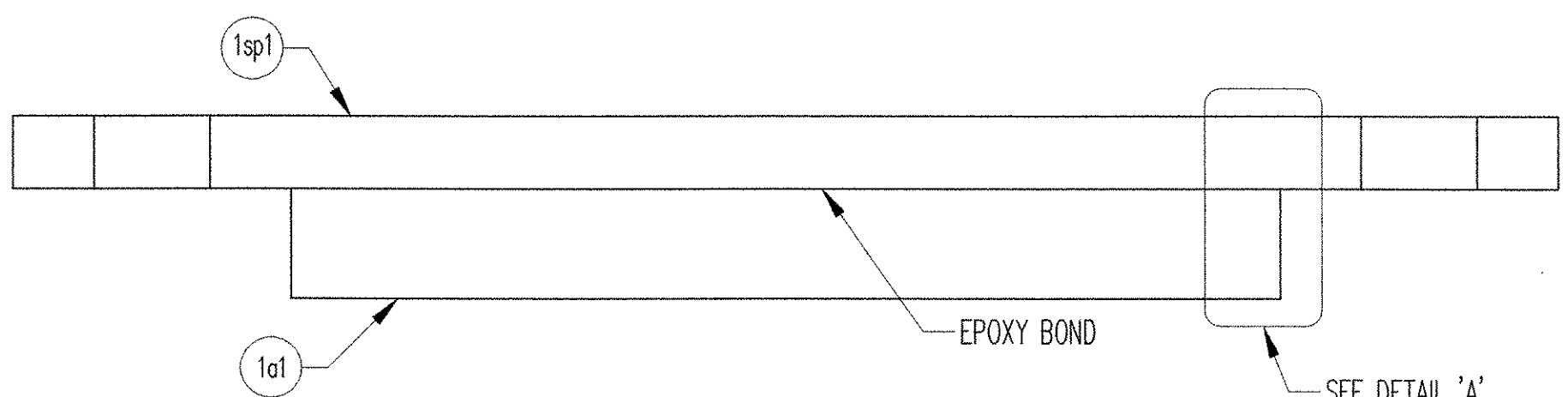


PLAN VIEW  
FIXED PREFORMED FABRIC BEARING  
(5) REQ'D @ ABUT. 1

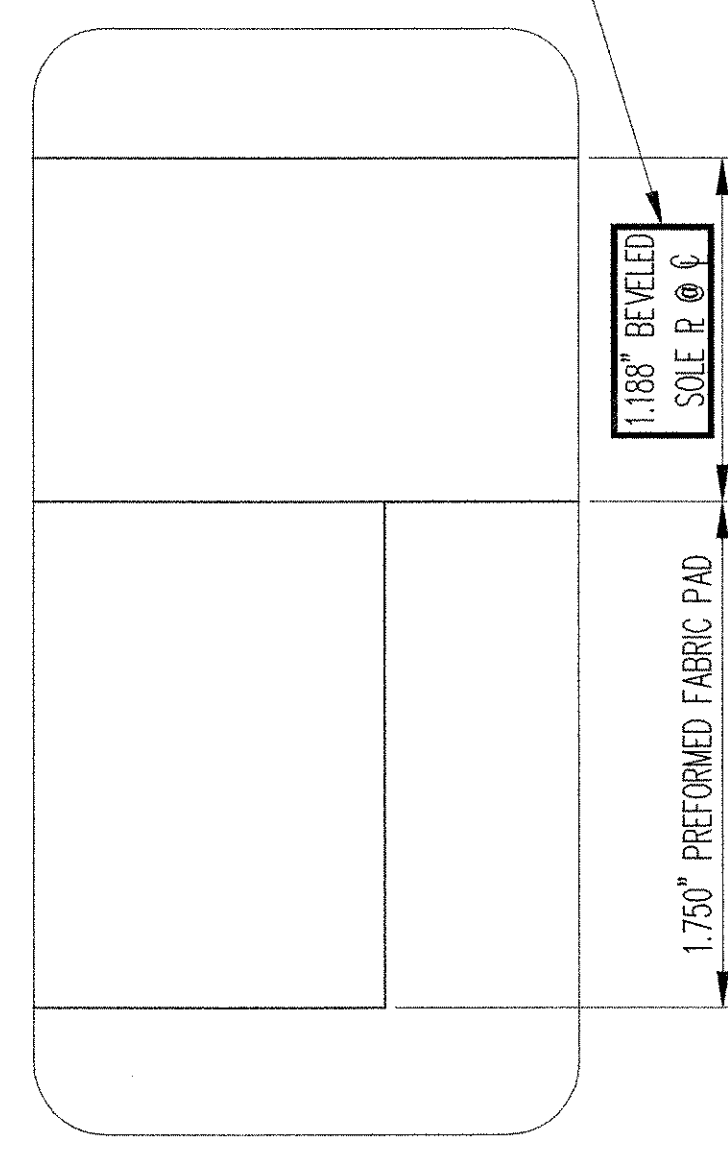


SWEDGE ROD DETAIL

PLEASE VERIFY ALL BEVELS. DSB WILL FABRICATE AS SHOWN IF NOT MARKED.



SECTION 'A-A'



DETAIL 'A'

LOAD TABLE

LOAD DATA	KIPS
DL + SDL	57
LL + I	73
TOTAL	130

RECEIVED  
OK'D BY \_\_\_\_\_ OK'D BY \_\_\_\_\_  
JAN 05 2004  
RESUBMIT \_\_\_\_\_ APPROVED \_\_\_\_\_  
BY *RLW* DATE *1-9-04*

SEE SHT. GN1 FOR GENERAL NOTES & COATING LIMITS.

**D.S. BROWN**  
300 E. CHERRY STREET  
NORTH BALTIMORE, OHIO 45872  
419.257.3561  
FAX: 419.257.0332  
4201 NOREX DRIVE  
CHASKA, MINNESOTA 55318  
952.368.3000  
FAX: 952.448.7000  
DSBROWN.COM

REV.	DESCRIPTION	DATE	DET.	CKD.
	LOCATION — BOSTWICK ROAD OVER VERMONT RAILWAY		ITEM	QUANTITY
	BRIDGE — 15		10251-1106-1	5 OF 5
	PROJECT — BRO 1445(30)		—	—
	HIGHWAY — TH3		—	—
	P.O. NO. — 7890		—	—
	DESIGNER — McFARLAND-JOHNSON, INC.		—	—
	CUSTOMER — S.D. IRELAND CONSTRUCTION		—	—

DESCRIPTION	SCALE	DRAWN BY	CHECKED BY	DATE
FIXED PREFORMED FABRIC BEARING CHITTENDEN CO., VERMONT	N.T.S.	D.ANDERSON	R. SCHADE	12/23/03
PROJECT NUMBER	PRODUCT CODE	RELEASE	SHEET	
10251	1106	1	01	