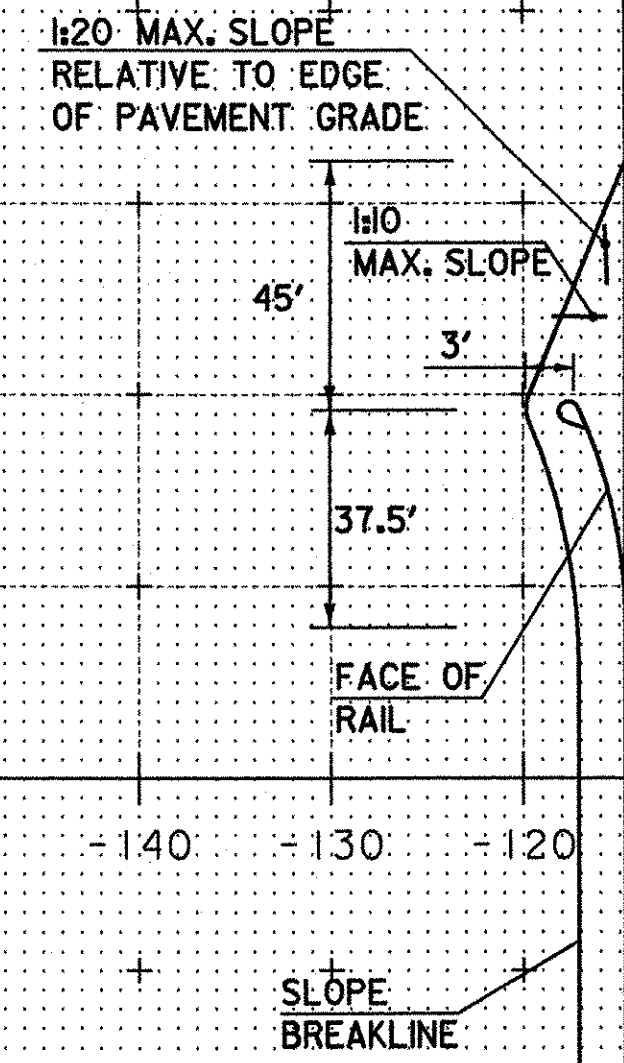
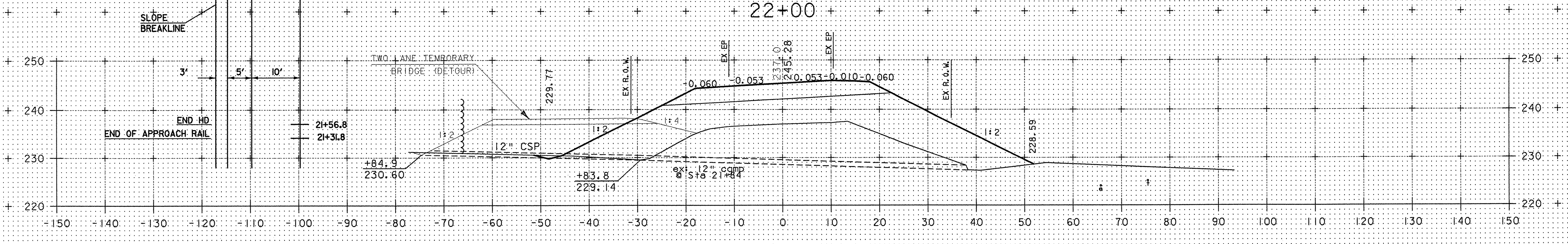
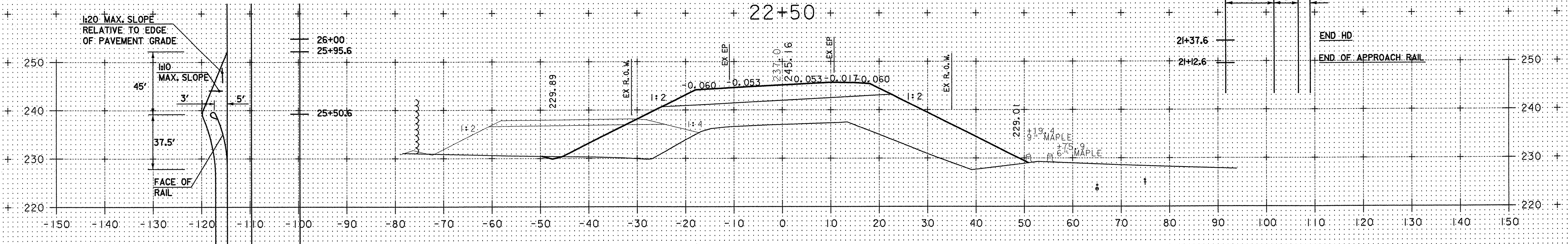
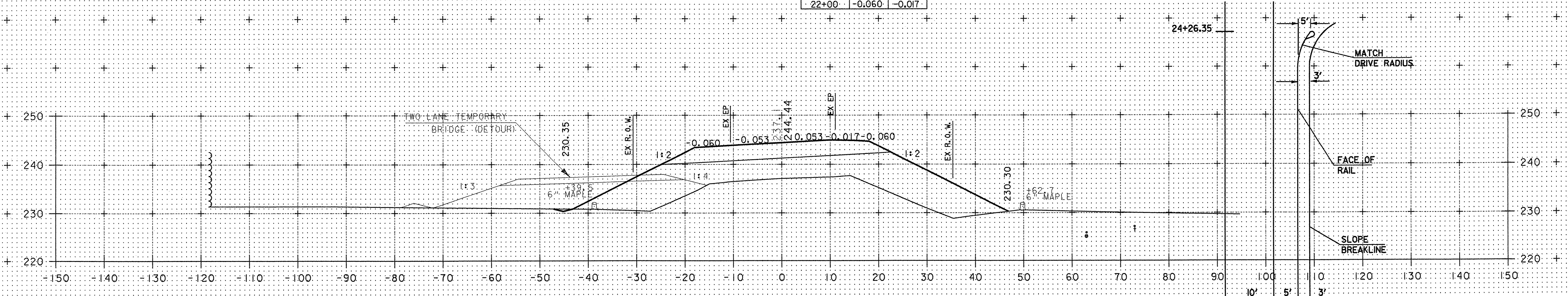
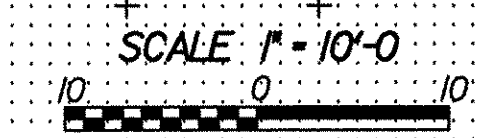


SHOULDER TRANSITION		
STATION	LT	RT
22+00	-0.060	-0.017



BOSTWICK ROAD



PROJECT NAME: SHELBURNE
 PROJECT NUMBER: BRO 1445(30)
 FILE NAME: M:\1595402 Bostwick\HWY\DRAW\J196wrk.dgn
 PROJECT LEADER: MBZ PLOT DATE: 01-AUG-2003
 DESIGNED BY: DMB DRAWN BY: DMB
 CHECKED BY: MDL SHEET 67 OF 73