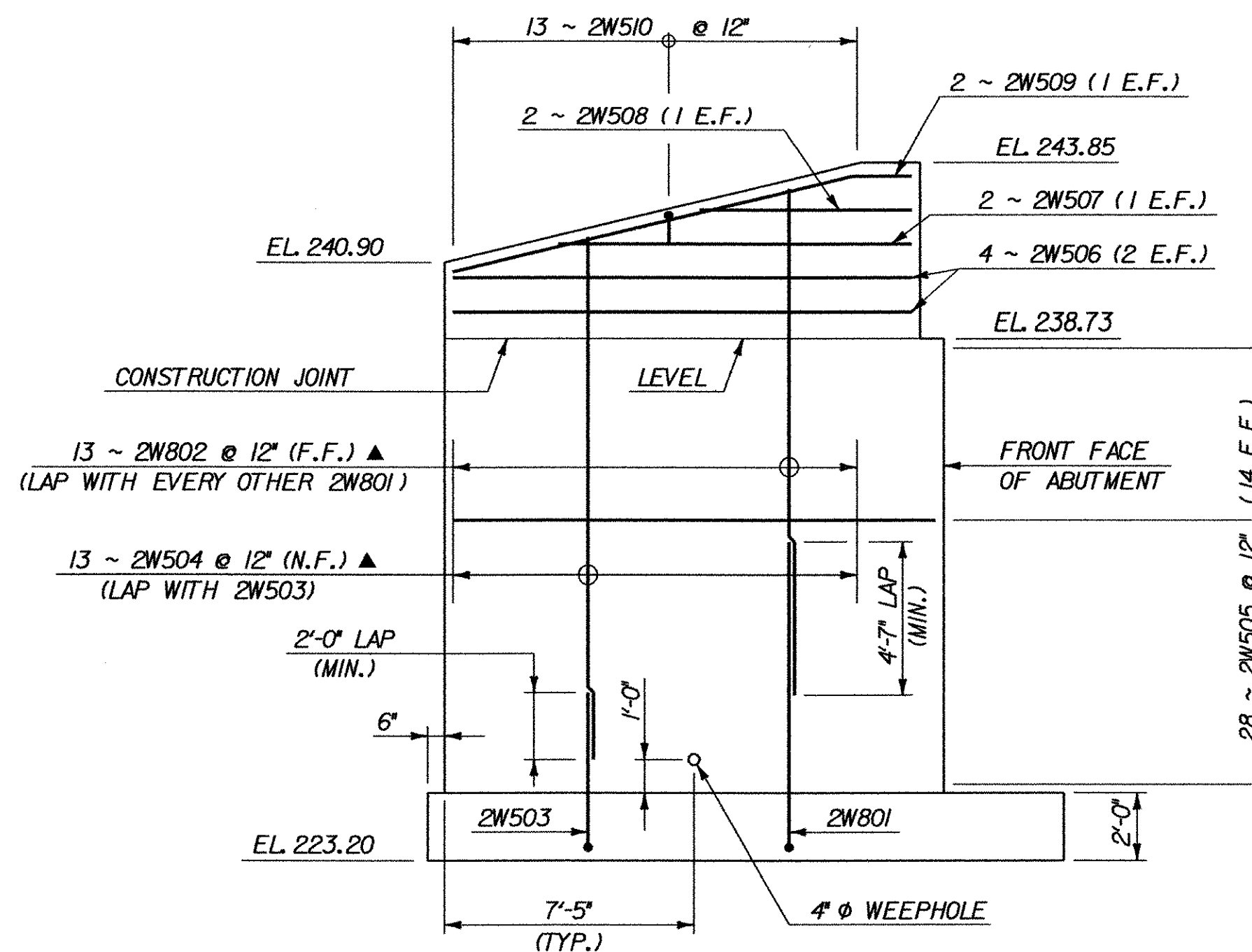
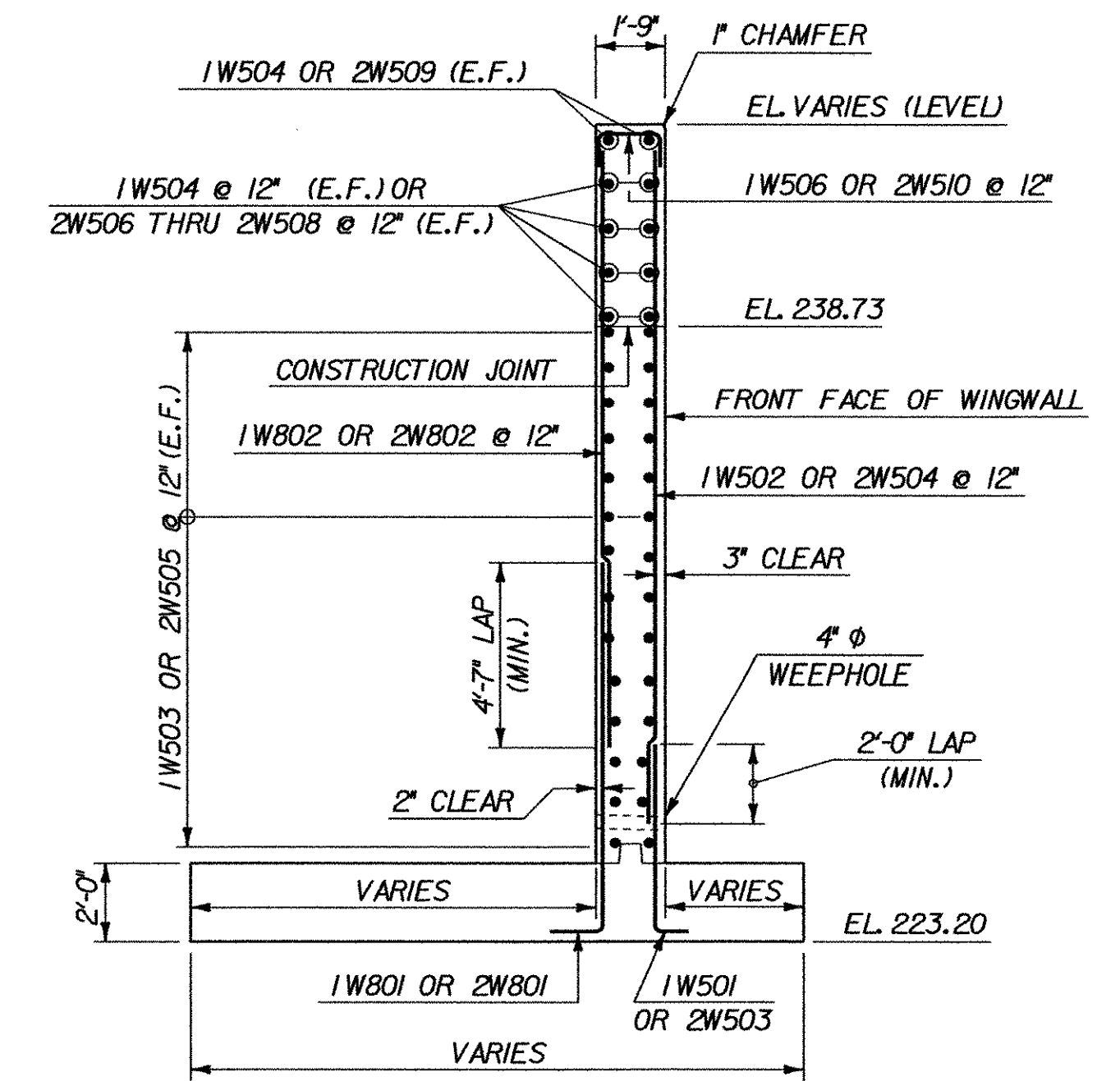


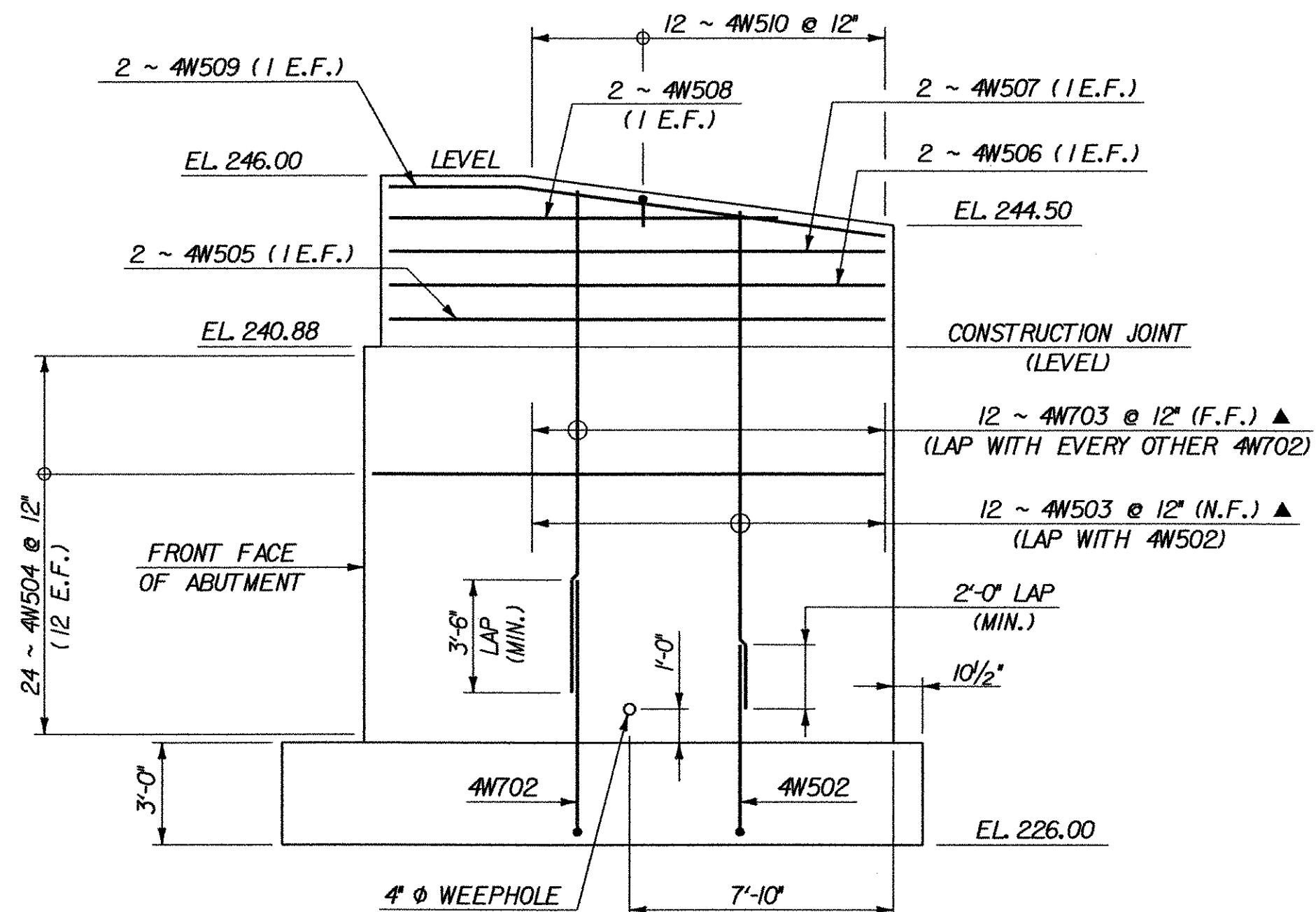
WINGWALL NO. 1 ELEVATION
SCALE: 1/4" = 1'-0"



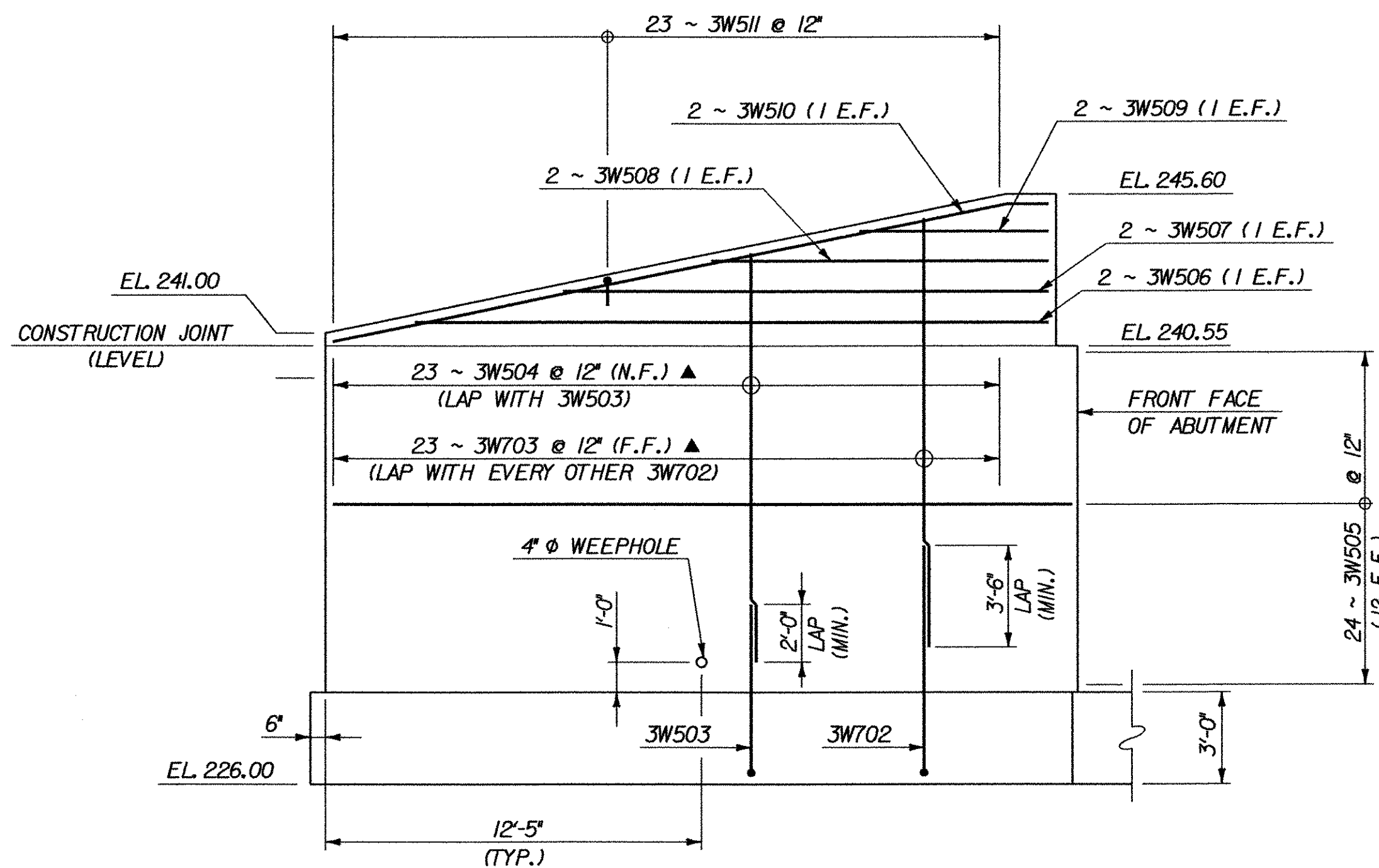
WINGWALL NO. 2 ELEVATION
SCALE: 1/4" = 1'-0"



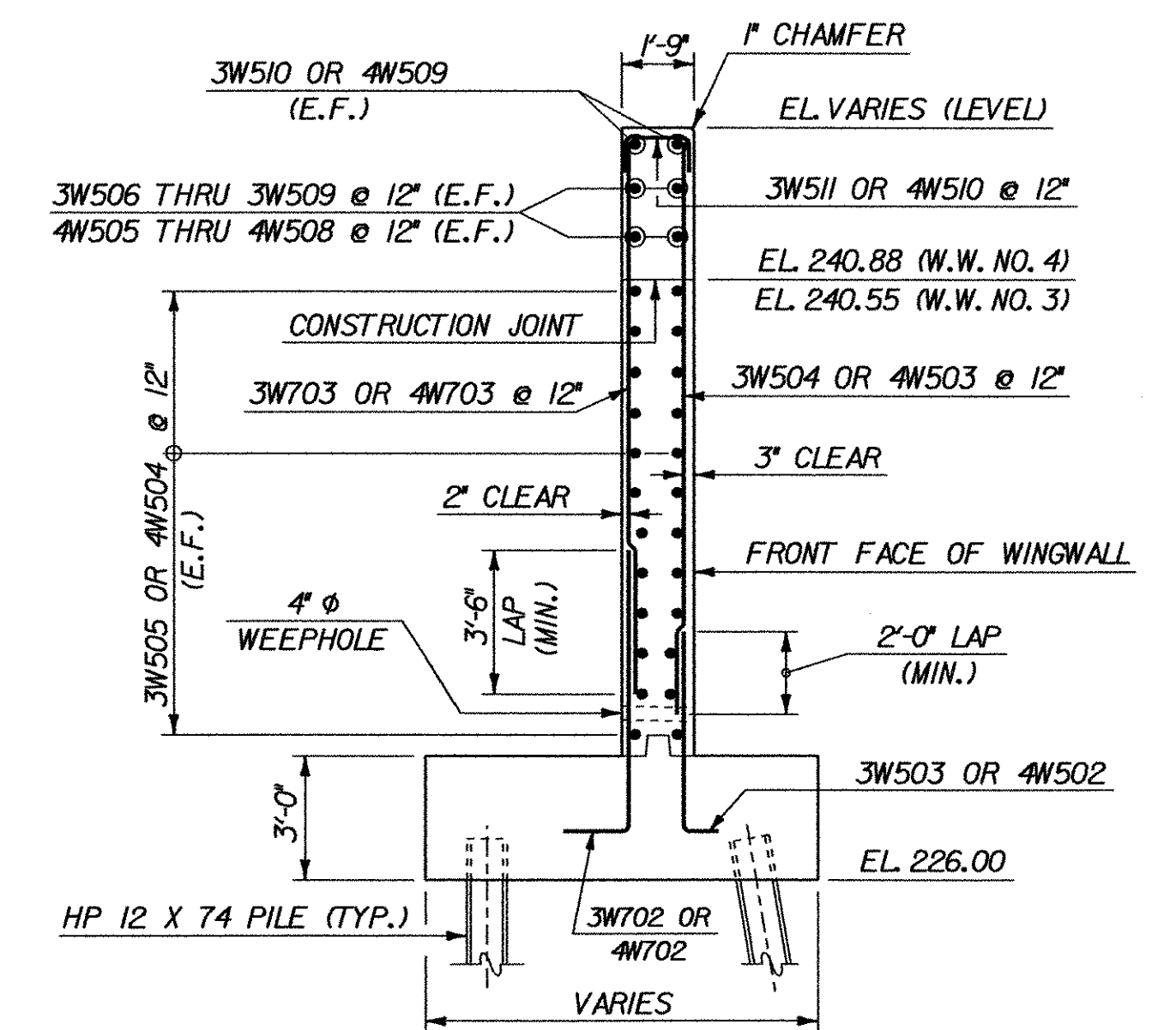
WINGWALL NO. 1 & NO. 2 TYPICAL SECTION
SCALE: 1/4" = 1'-0"



WINGWALL NO. 4 ELEVATION
SCALE: 1/4" = 1'-0"



WINGWALL NO. 3 ELEVATION
SCALE: 1/4" = 1'-0"



WINGWALL NO. 3 & NO. 4 TYPICAL SECTION
SCALE: 1/4" = 1'-0"

LEGEND

- N.F. = NEAR FACE
- F.F. = FAR FACE
- E.F. = EACH FACE
- ▲ = CUT TO FIT IN FIELD

- ▲ WINGWALL NO. 4 LAYOUT REVISED
- ▲ WINGWALL NO. 1 LAYOUT REVISED

**STATE OF VERMONT
AGENCY OF TRANSPORTATION**

Town Of	SHELBURNE	Bridge No.	15
Highway No.	TH 3	Log Sta.	
		Surv. Sta.	
BOSTWICK ROAD OVER VERMONT RAILWAY			
WINGWALL DETAILS (REVISED)			
Designed By	L. WIXSON / S. DELIA	Drawn By	S. MERKMAN / S. DELIA
Checked By	R. JOY	Date	03/04
		Bridge Design Supervisor	M. ZYDEL
		Date	03/04
PROJECT	SHELBURNE	PROJECT NO.	BRO 1445(30)
I.G.C. Info. @ Structures STR3_Roger Whitcomb/Consultants/McFarland-Johnson/Sherburne			
Bridge Sheet No.	BR117B	Sheet	57B of 73

