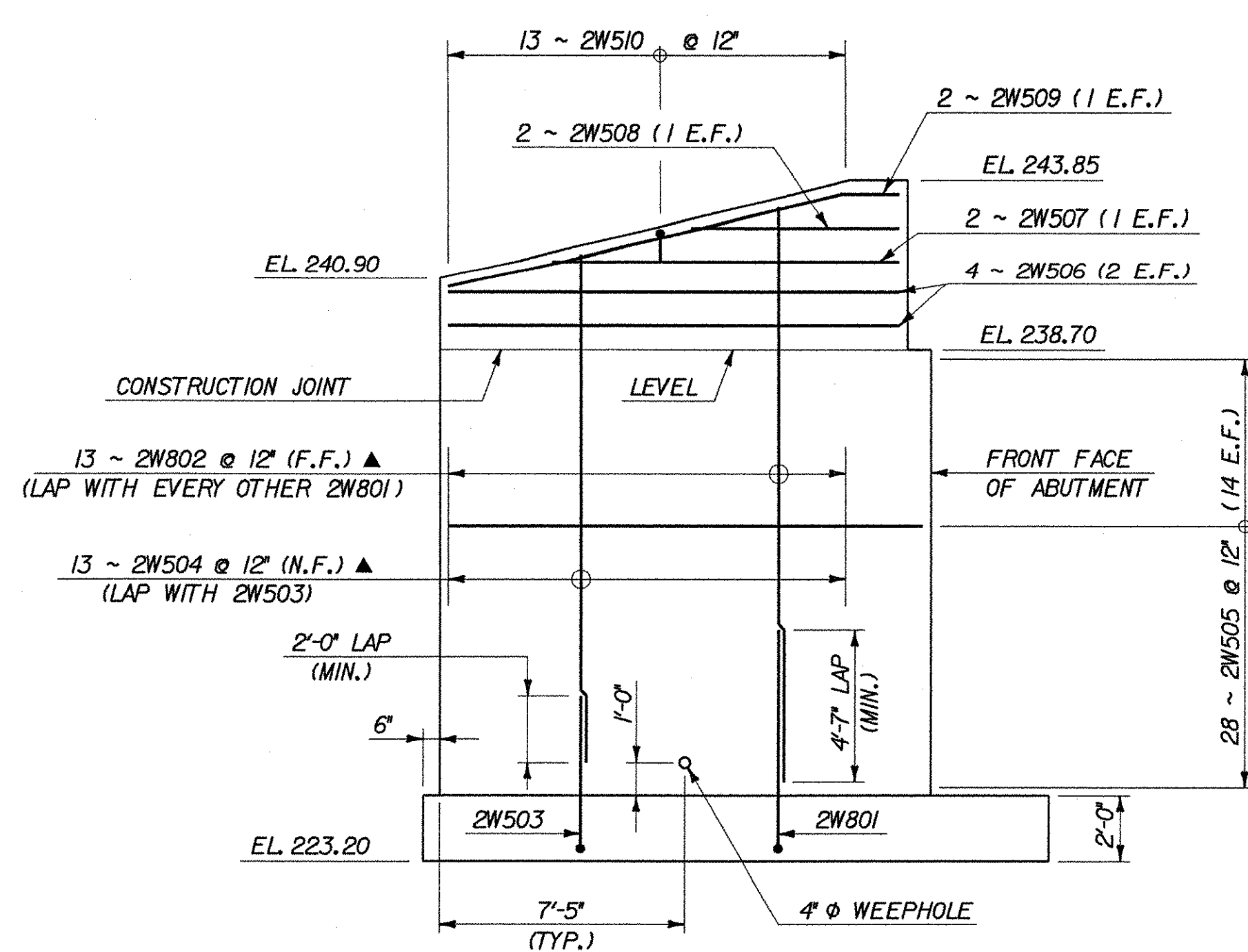
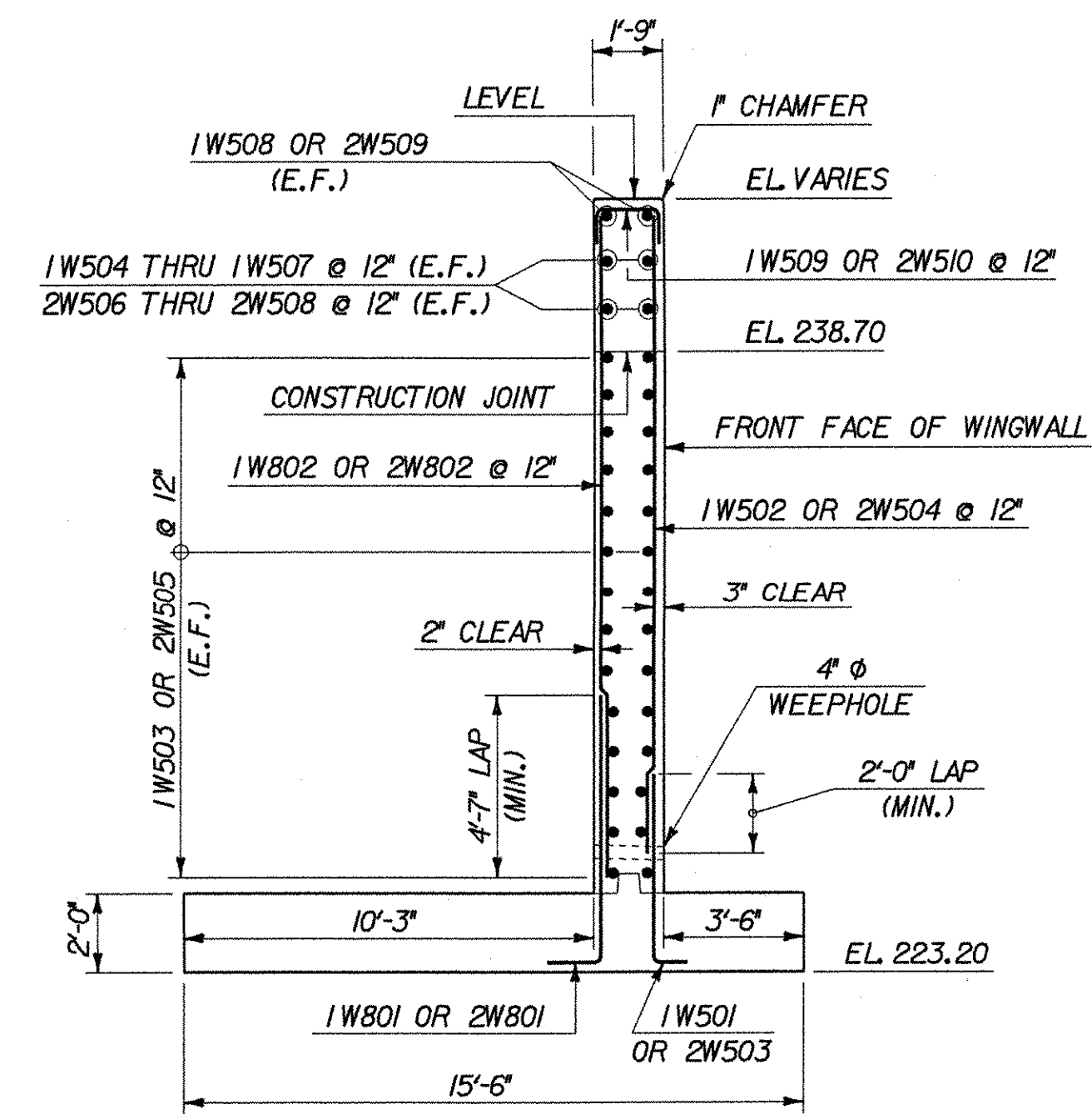


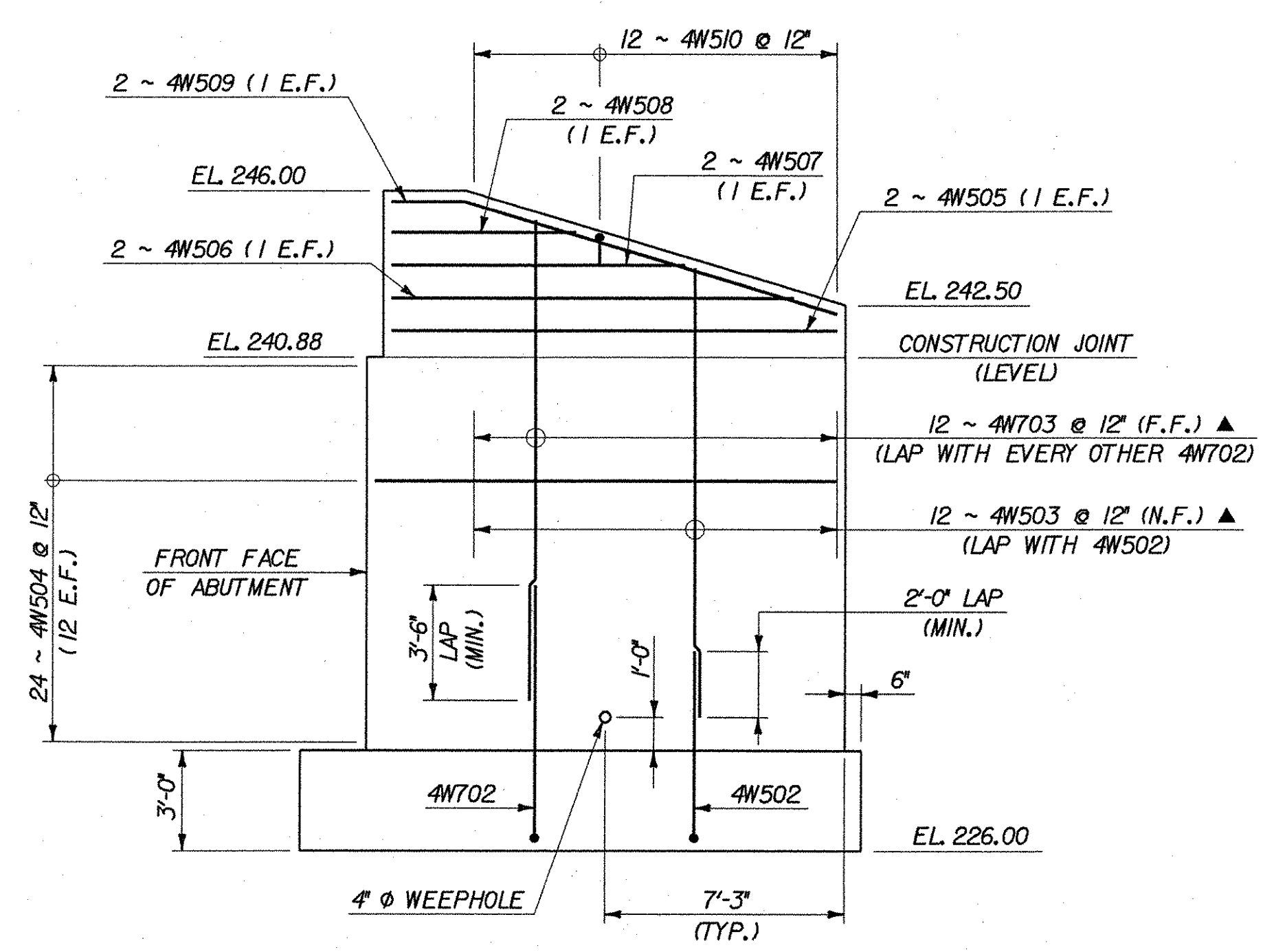
WINGWALL NO. 1 ELEVATION
SCALE: 1/4" = 1'-0"



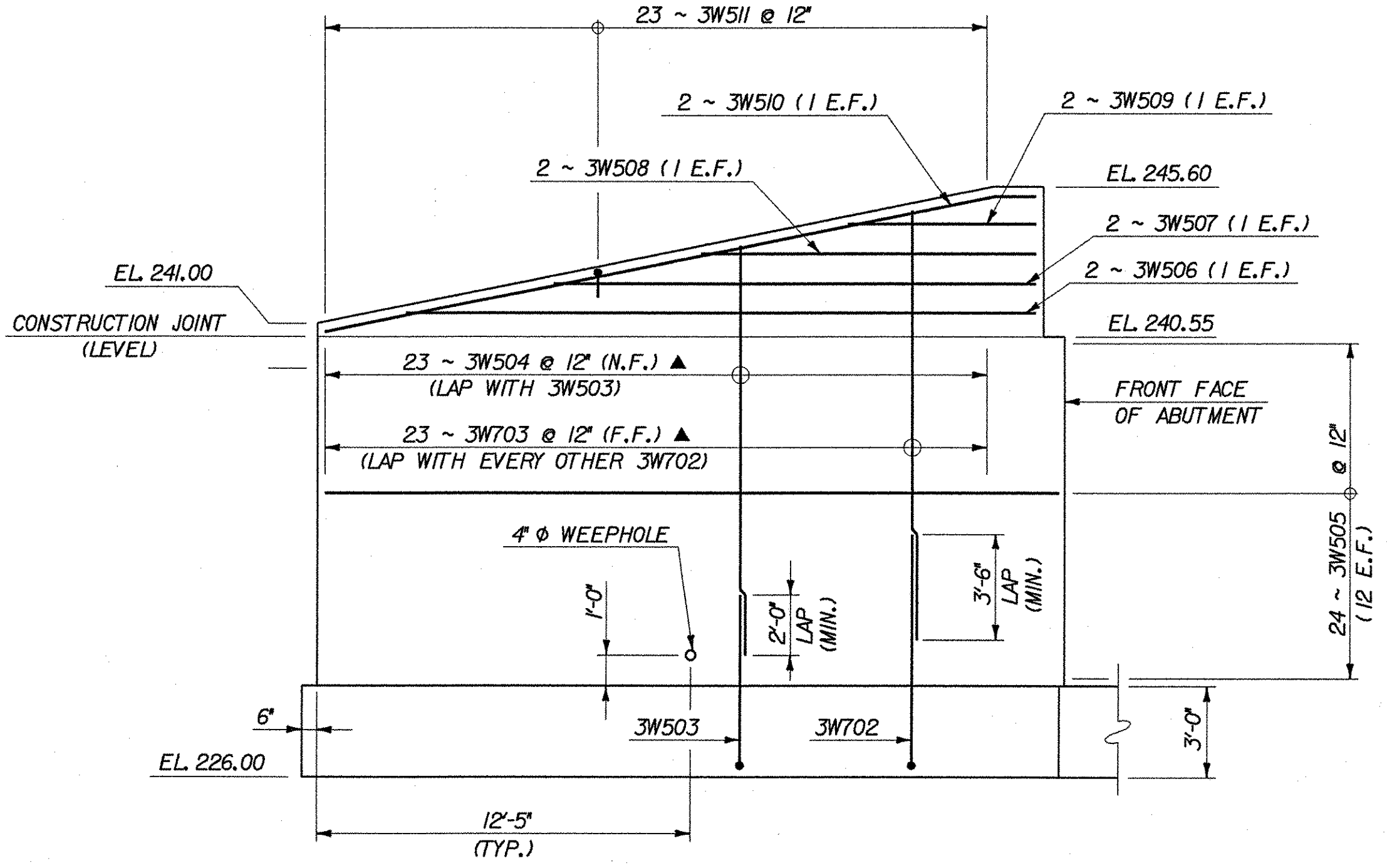
WINGWALL NO. 2 ELEVATION
SCALE: 1/4" = 1'-0"



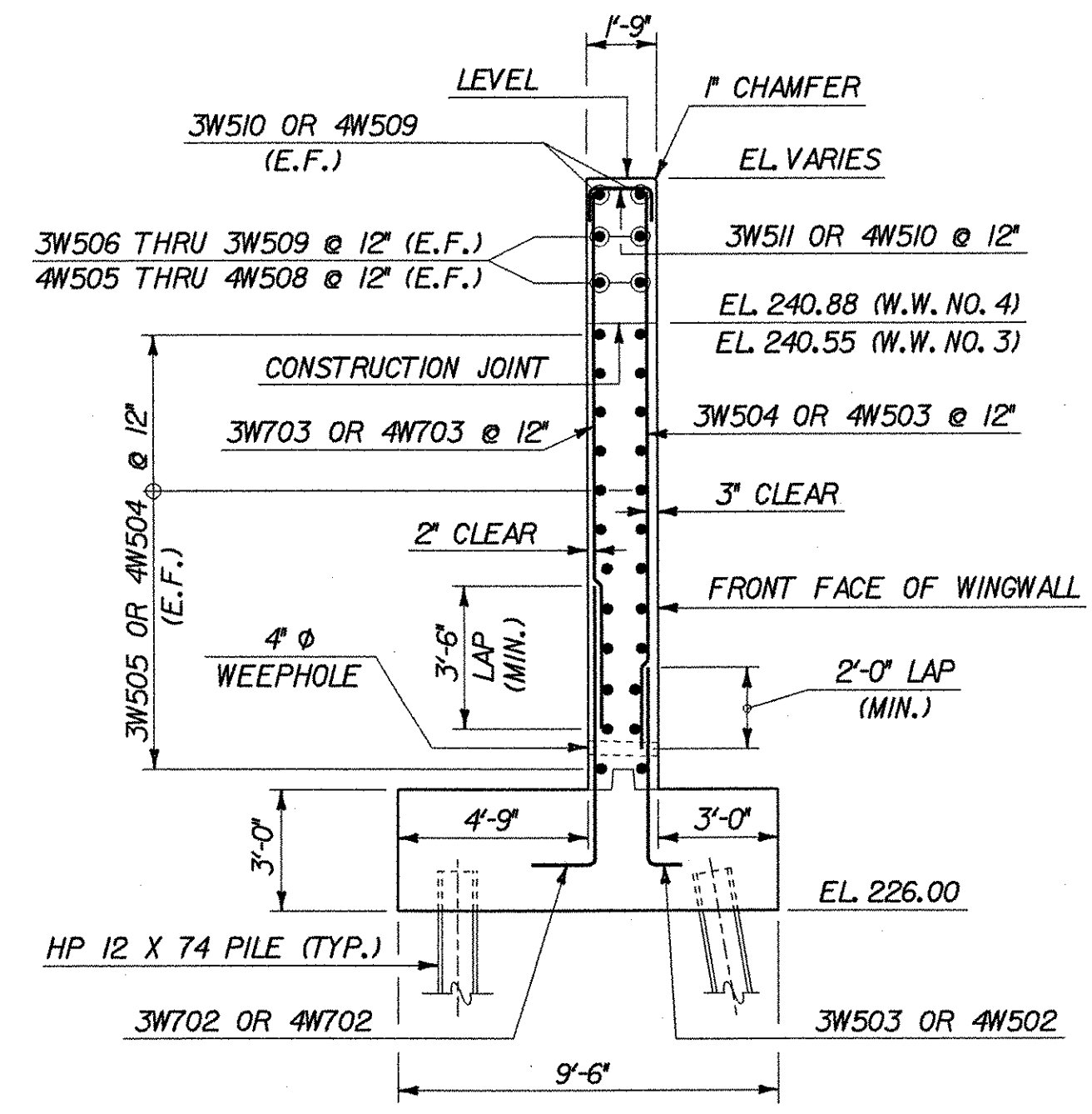
WINGWALL NO. 1 & NO. 2 TYPICAL SECTION
SCALE: 1/4" = 1'-0"



WINGWALL NO. 4 ELEVATION
SCALE: 1/4" = 1'-0"



WINGWALL NO. 3 ELEVATION
SCALE: 1/4" = 1'-0"



WINGWALL NO. 3 & NO. 4 TYPICAL SECTION
SCALE: 1/4" = 1'-0"

LEGEND
 N.F. - NEAR FACE
 F.F. - FAR FACE
 E.F. - EACH FACE
 ▲ - CUT TO FIT IN FIELD



STATE OF VERMONT AGENCY OF TRANSPORTATION	
Town Of SHELBURNE	Bridge No. 15
Highway No. TH 3	Log Sta. _____ Surv. Sta. _____
BOSTWICK ROAD OVER VERMONT RAILWAY	
WINGWALL DETAILS	
Designed By L. WIXSON	Drawn By S. MERKMAN
Checked By R. JOY	Bridge Design Supervisor M. ZYDEL
Date 05/03	Date 05/03
PROJECT SHELBURNE	PROJECT NO. BRO 1445(30)
I.G.C. Info. MN595402 BostwickBRIDGE6m/12/196wvd.dgn	
Bridge Sheet No. BRI17	Sheet 57 of 73

PLOTTED 01-AUG-2003