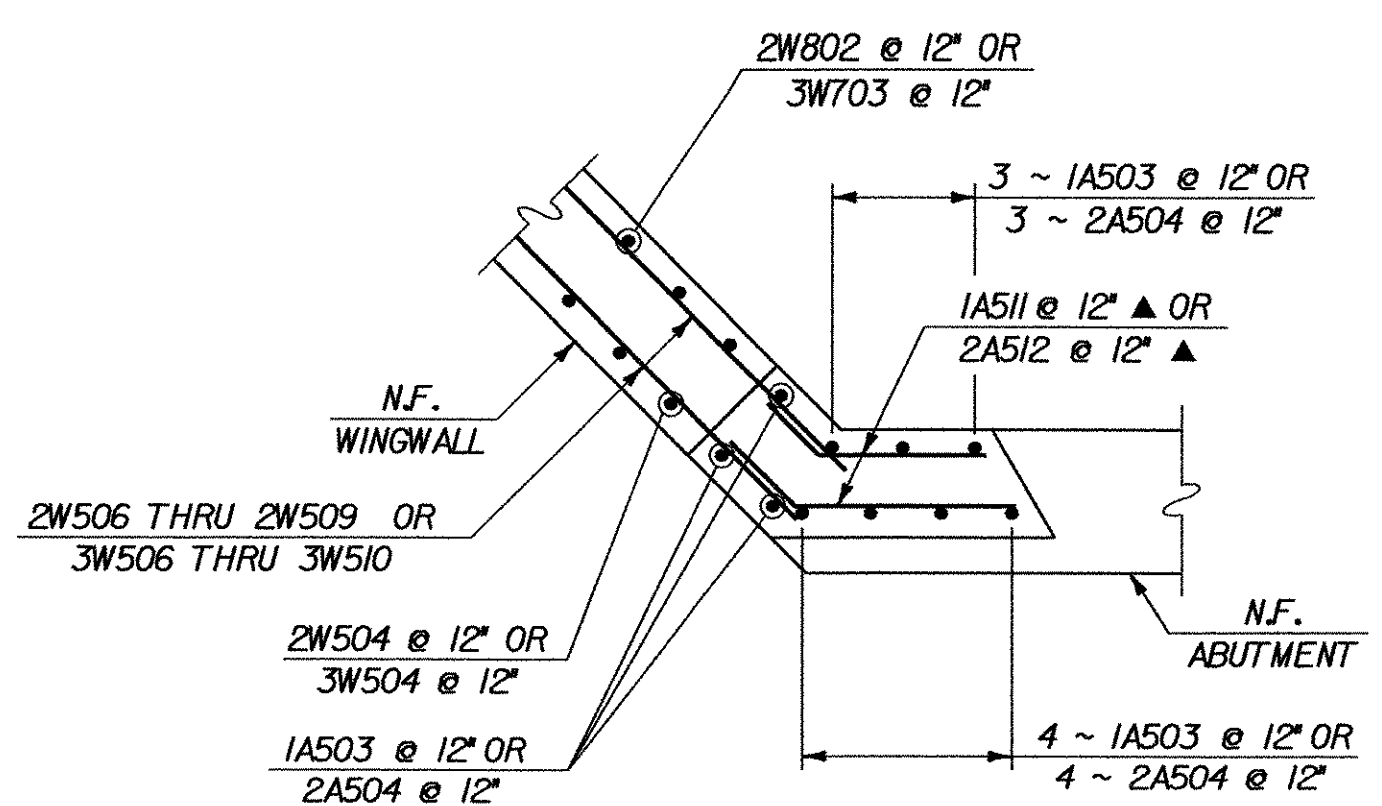
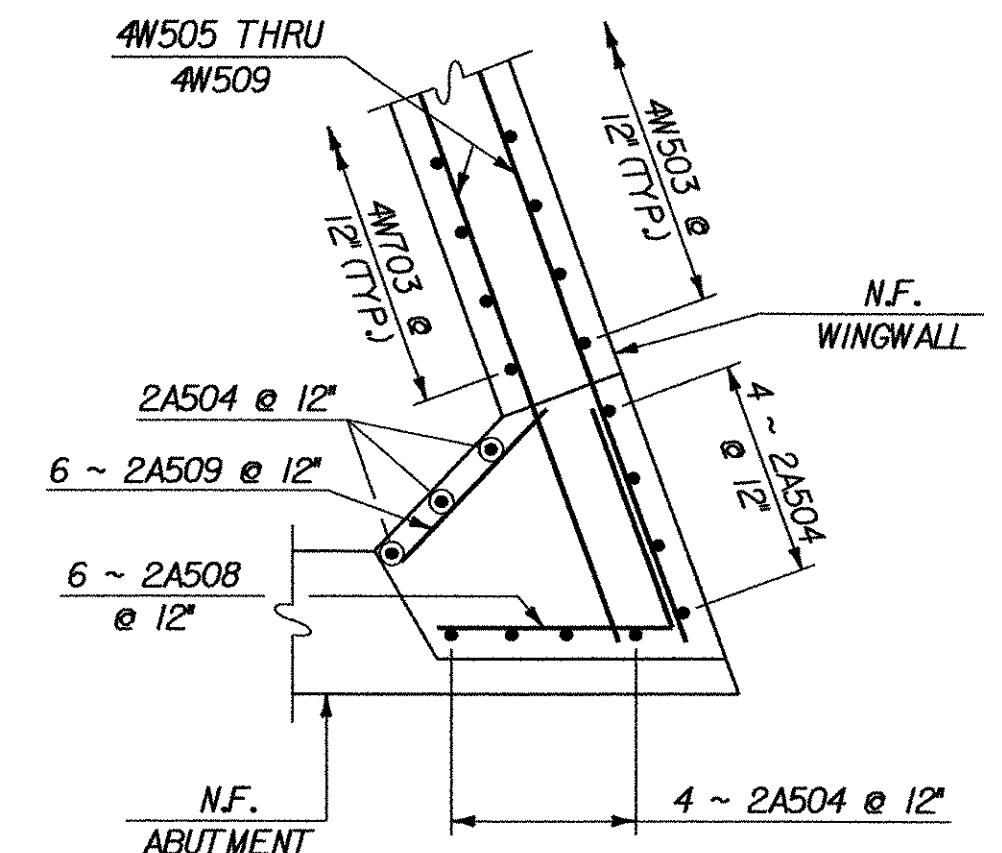


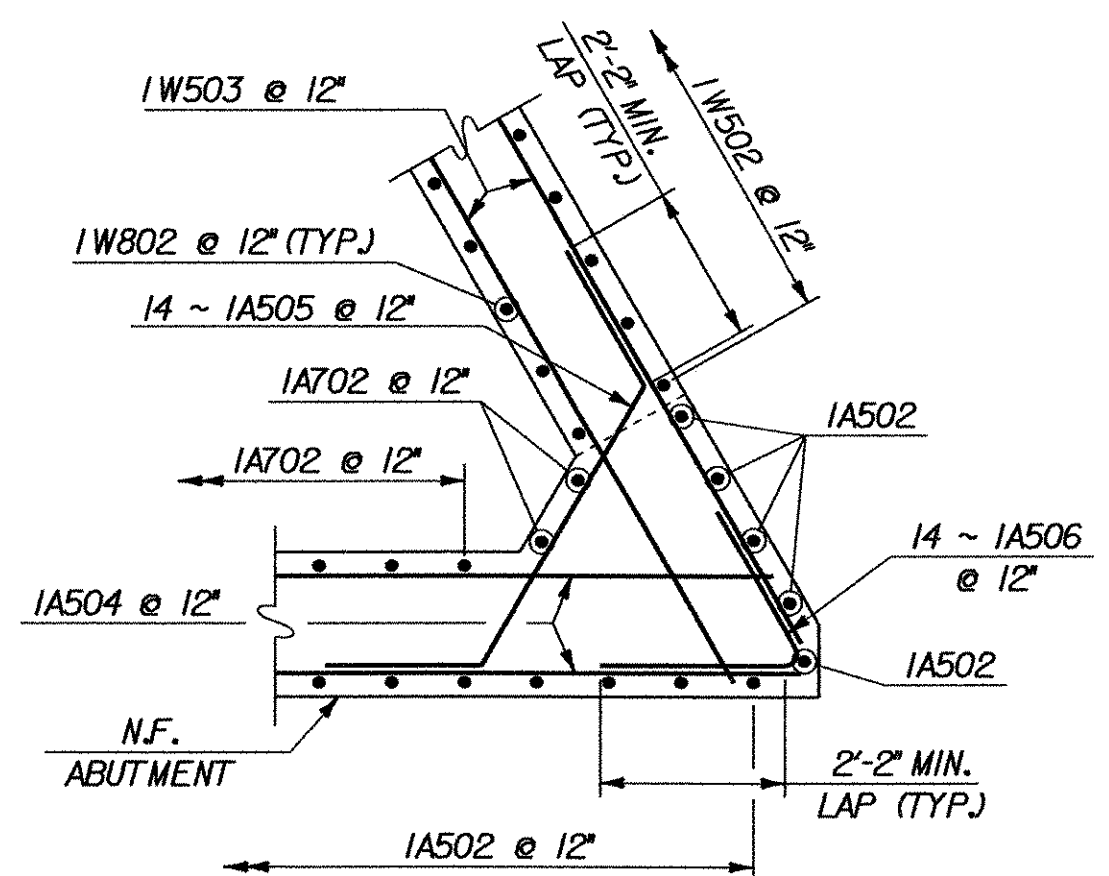
ABOVE BRIDGE SEAT



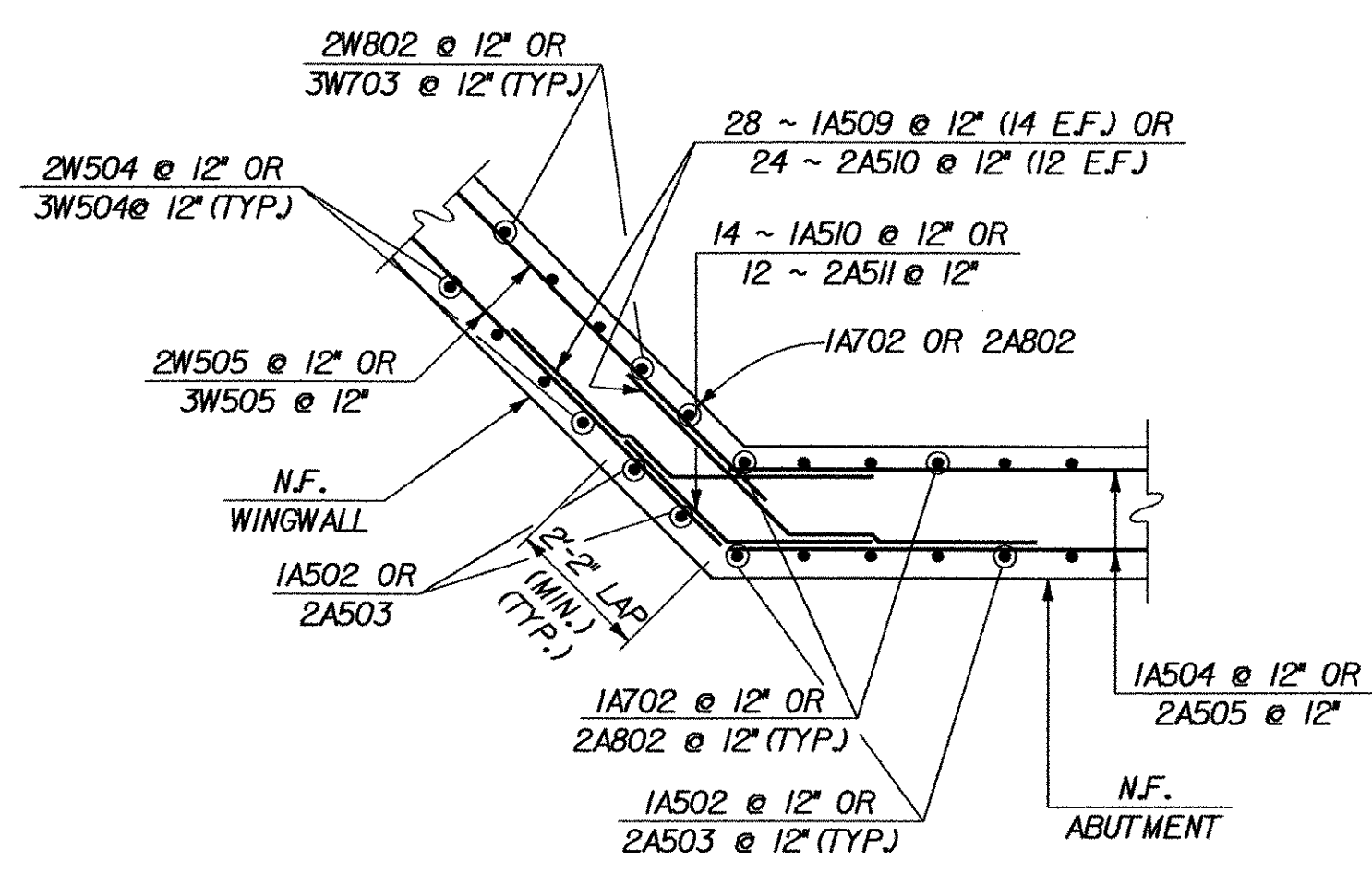
ABOVE BRIDGE SEAT



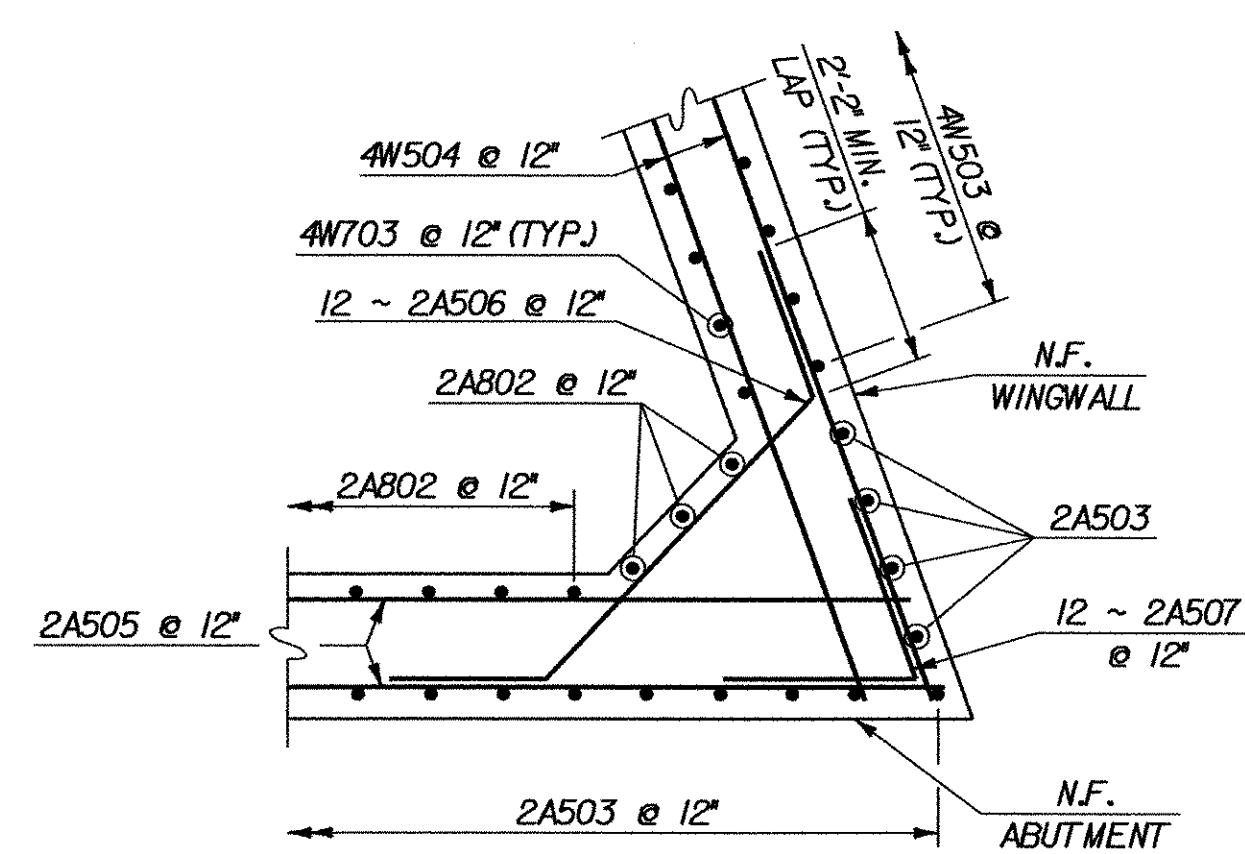
ABOVE BRIDGE SEAT



AT ABUTMENT STEM



AT ABUTMENT STEM



AT ABUTMENT STEM

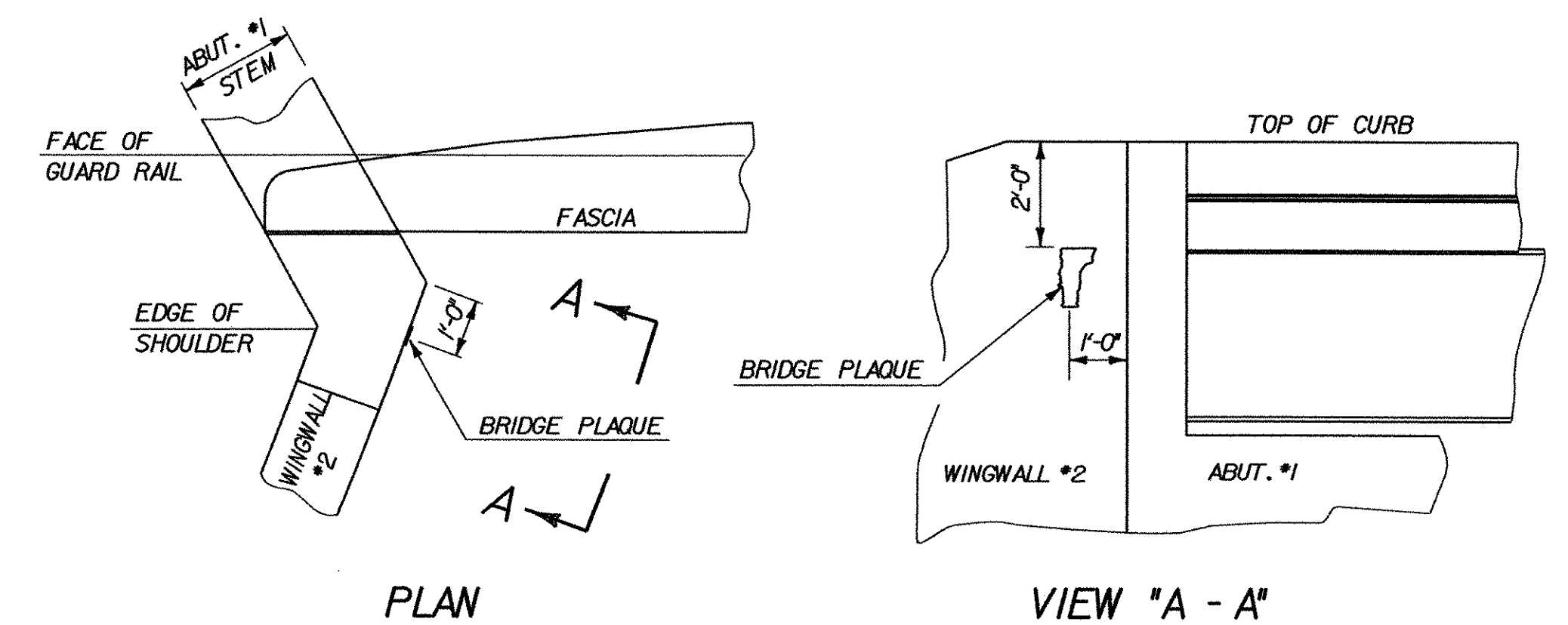
WINGWALL NO. 1 CORNER DETAILS  
SCALE: 3/8" = 1'-0"

WINGWALL NO. 2 & NO. 3 CORNER DETAILS  
SCALE: 3/8" = 1'-0"

WINGWALL NO. 4 CORNER DETAILS  
SCALE: 3/8" = 1'-0"

NOTES

1. FOR FOOTINGS DETAILS, SEE BRIDGE SHEETS BR113A AND BR115A.
2. FOR WINGWALL DETAILS, SEE BRIDGE SHEET BR117B.

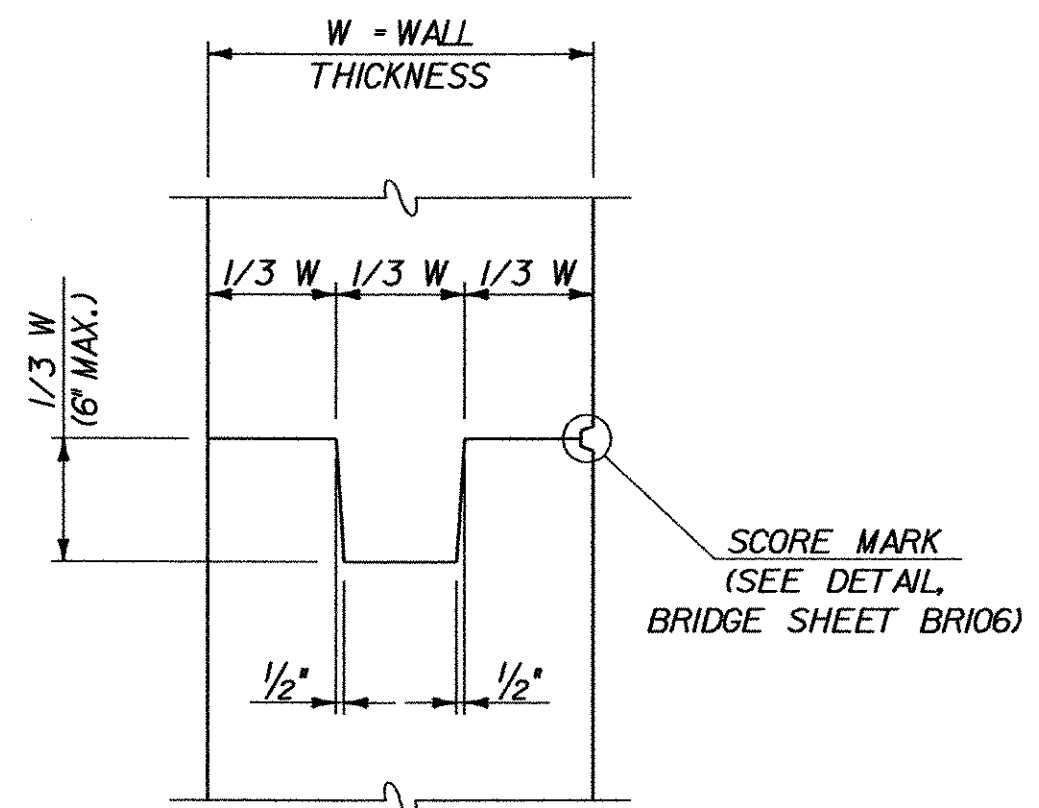


PLAN

VIEW "A - A"

LOCATE BRIDGE PLAQUE

THE BRIDGE PLAQUE WILL BE SUPPLIED BY THE AGENCY OF TRANSPORTATION AND SHALL BE INSTALLED BY THE CONTRACTOR AT ABUTMENT #1 ON THE RIGHT SIDE AS SHOWN OR AS DIRECTED BY THE ENGINEER.



TYPICAL CONCRETE CONSTRUCTION JOINT  
SCALE: 1" = 1'-0"

LEGEND

- N.F. = NEAR FACE
- F.F. = FAR FACE
- E.F. = EACH FACE
- ▲ = CUT TO FIT IN FIELD

- ▲ WINGWALL NO. 4 LAYOUT REVISED
- ▲ WINGWALL NO. 1 LAYOUT REVISED

STATE OF VERMONT  
AGENCY OF TRANSPORTATION

Town Of	SHELBURNE	Bridge No.	15
Highway No.	TH 3	Log Sta.	
		Surv. Sta.	
<b>BOSTWICK ROAD OVER VERMONT RAILWAY</b>			
<b>ABUTMENT DETAILS (REVISED)</b>			
Designed By	L. WIXSON	Drawn By	S. MERKMAN
Checked By	R. JOY	Bridge Design Supervisor	M. ZYDEL
Date	03/04	Date	03/04
PROJECT	SHELBURNE	PROJECT NO.	BRO 1445(30)
I.G.C. Info. G:\Structures\STR3_Roger Whitcomb\Consultants\McFarland-Johnson\Shelburne			
Bridge Sheet No.	BR116B	Sheet	56B of 73



PLOTTED 24-MAR-2004