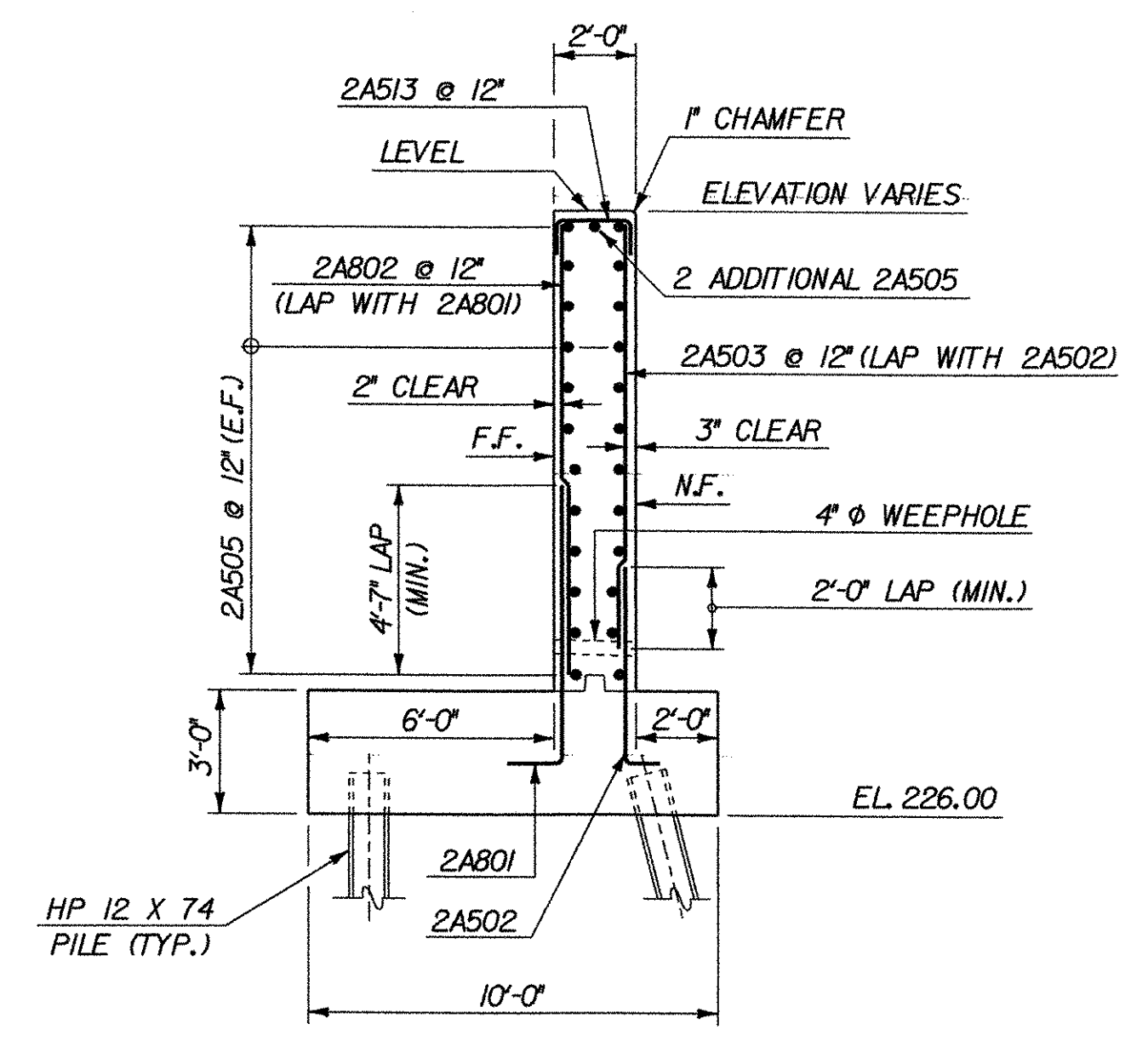


PLAN
SCALE: 1/4" = 1'-0"

| WORKING POINTS | | |
|----------------|------------|------------|
| LOCATION | NORTHING | EASTING |
| W.P. 4 | 79571.4281 | 44051.3054 |
| W.P. 5 | 79591.5147 | 44061.2936 |
| W.P. 6 | 79611.6462 | 44071.3042 |



SECTION A-A
SCALE: 1/4" = 1'-0"

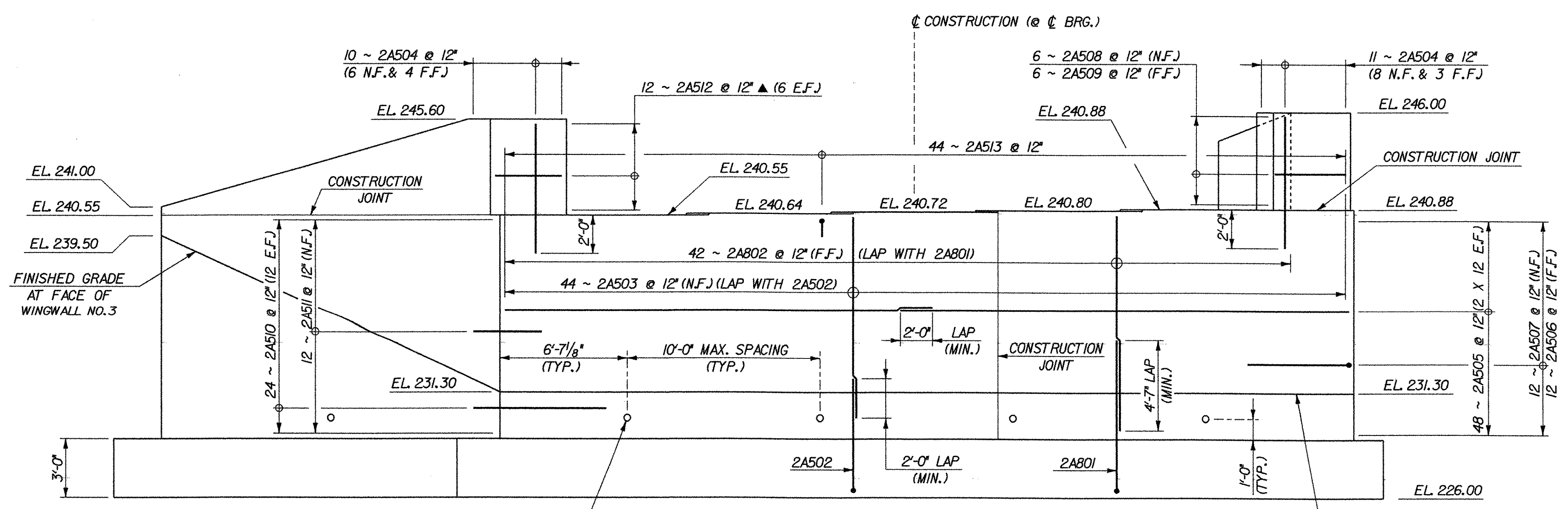
NOTES

- FOR FOOTING DETAILS, SEE BRIDGE SHEET BRI15A.
- FOR WINGWALL DETAILS, SEE BRIDGE SHEET BRI1A.
- FOR WINGWALL CORNER DETAILS, SEE BRIDGE SHEET BRI16A.

- ▲ REVISE THE BEARING SEAT STEPS TO FOLLOW THE SKEW OF THE BRIDGE (11/12/03)
- ▲ RELOCATE THE VERTICAL CONSTRUCTION JOINT (11/12/03)
- ▲ WINGWALL NO. 4 LAYOUT REVISED

LEGEND

- N.F. = NEAR FACE
- F.F. = FAR FACE
- E.F. = EACH FACE
- ▲ = CUT TO FIT IN FIELD



ELEVATION
SCALE: 1/4" = 1'-0"



**STATE OF VERMONT
AGENCY OF TRANSPORTATION**

| | |
|--|--|
| Town Of SHELBURNE | Bridge No. 15 |
| Highway No. TH 3 | Log Sta. |
| BOSTWICK ROAD OVER VERMONT RAILWAY | |
| ABUTMENT NO. 2 (REVISED) | |
| Designed By L. WIXSON | Drawn By S. MERKMAN |
| Checked By R. JOY Date 03/04 | Bridge Design Supervisor M. ZYDEL Date 03/04 |
| PROJECT SHELBURNE | PROJECT NO. BRO 1445(30) |
| I.G.C. Info. G:\Structures\STR3_Roger Whitcomb\Consultants\McFarland-Johnson\Shelburne | |
| Bridge Sheet No. BRI14A | Sheet 54A of 73 |

PLOTTED 15-MAR-2004