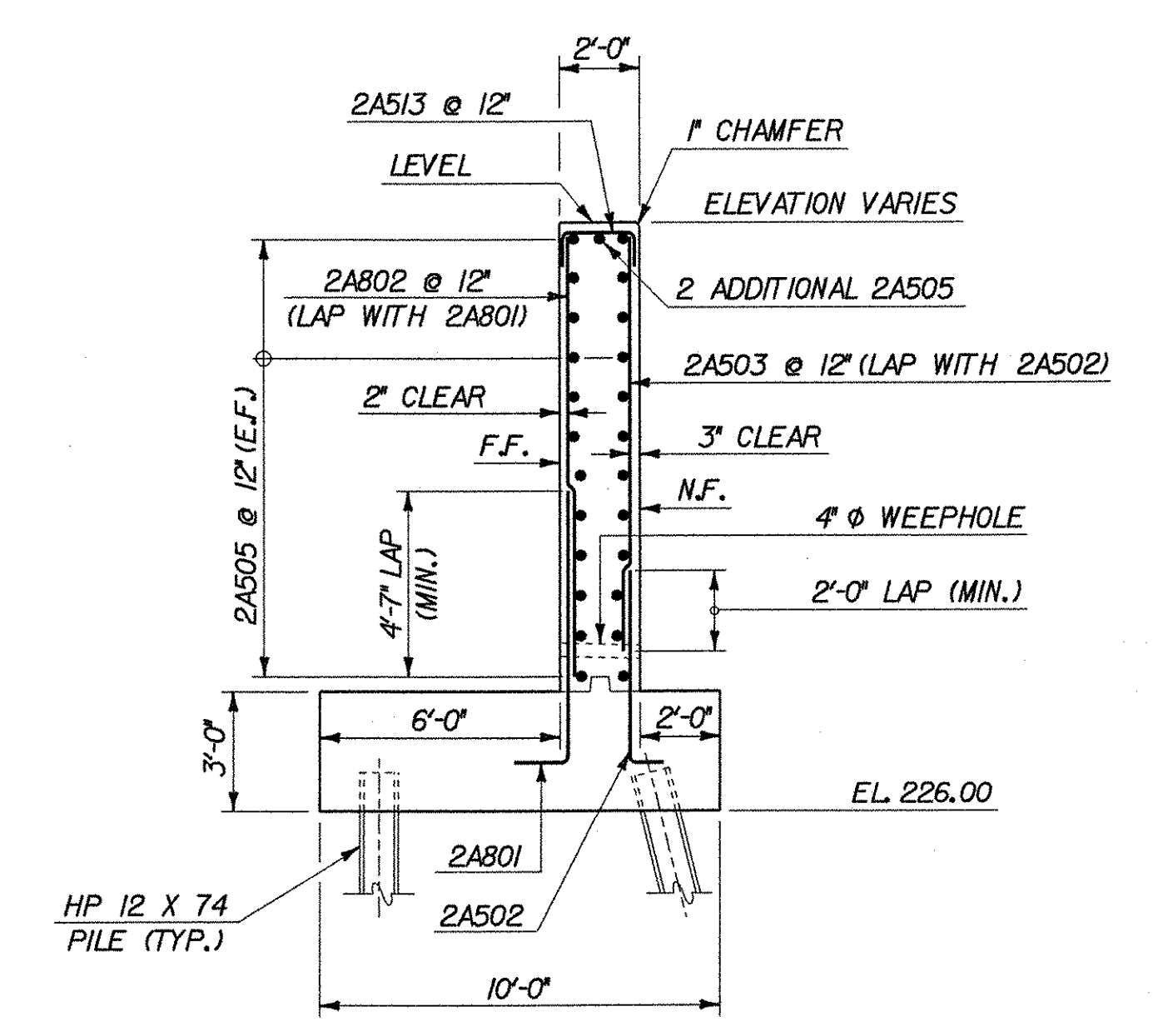


PLAN
SCALE: 1/4" = 1'-0"

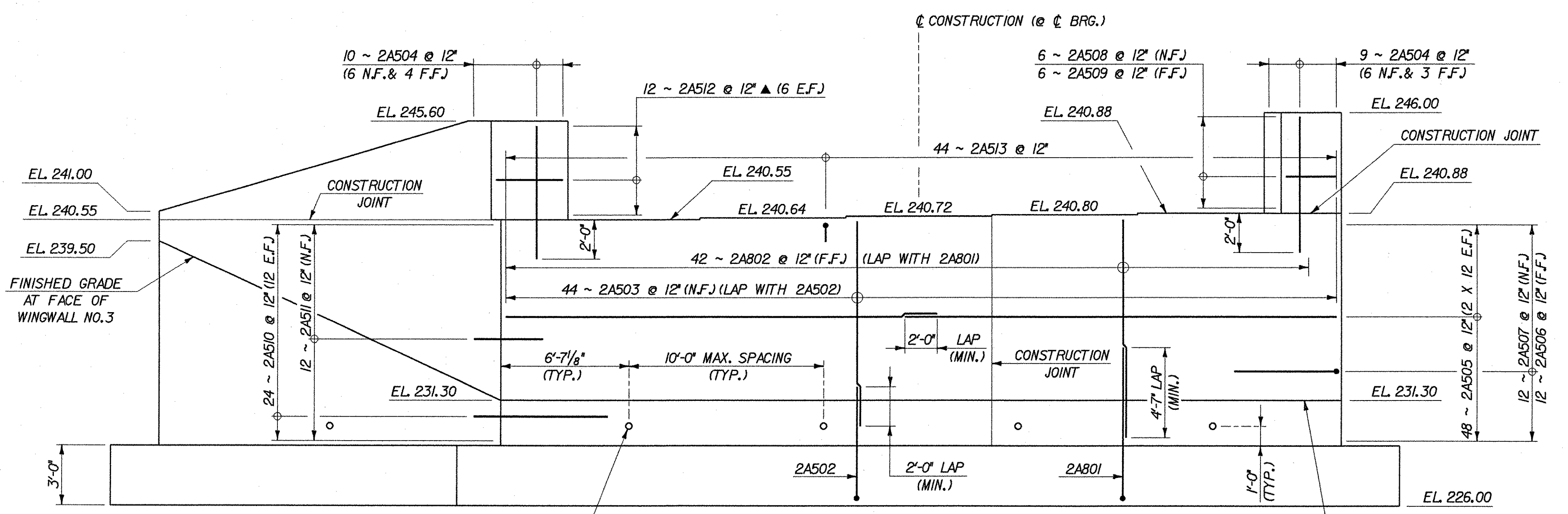
WORKING POINTS		
LOCATION	NORTHING	EASTING
W.P. 4	79572.0781	44051.6286
W.P. 5	79591.5147	44061.2936
W.P. 6	79611.6462	44071.3042



SECTION A-A
SCALE: 1/4" = 1'-0"

NOTES

- FOR FOOTING DETAILS, SEE BRIDGE SHEET BR115.
- FOR WINGWALL DETAILS, SEE BRIDGE SHEET BR117.
- FOR WINGWALL CORNER DETAILS, SEE BRIDGE SHEET BR116.

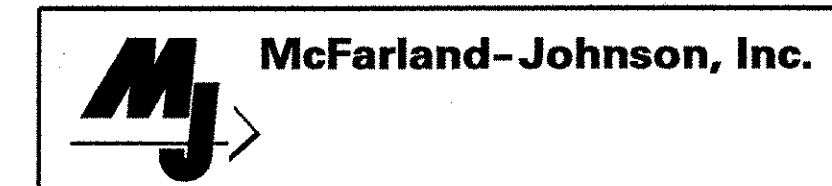


ELEVATION
SCALE: 1/4" = 1'-0"

LEGEND

- N.F. - NEAR FACE
- F.F. - FAR FACE
- E.F. - EACH FACE
- ▲ - CUT TO FIT IN FIELD

STATE OF VERMONT AGENCY OF TRANSPORTATION	
Town Of SHELBURNE	Bridge No. 15
Highway No. TH 3	Log Sta. Surv. Sta.
BOSTWICK ROAD OVER VERMONT RAILWAY ABUTMENT NO. 2	
Designed By L. WIXSON	Drawn By S. MERKMAN
Checked By R. JOY	Date 05/03 M. ZYDEL Date 05/03
PROJECT SHELBURNE	PROJECT NO. BRO 1445(30)
I.G.C. Info. M:\595402_Bostwick\BRIDGE\mrylar\z\196ab2.dgn	
Bridge Sheet No. BR114	Sheet 54 of 73



PLOTTED 01-AUG-2003