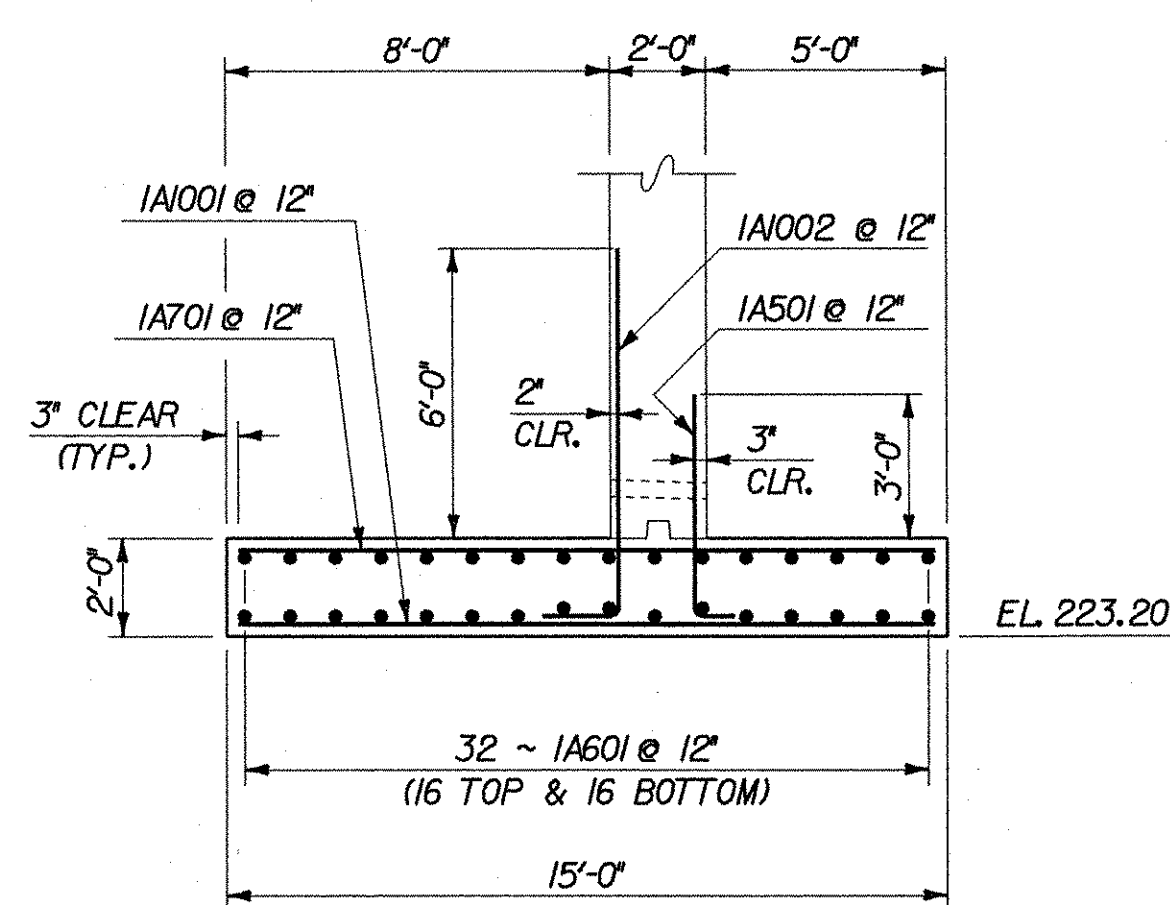
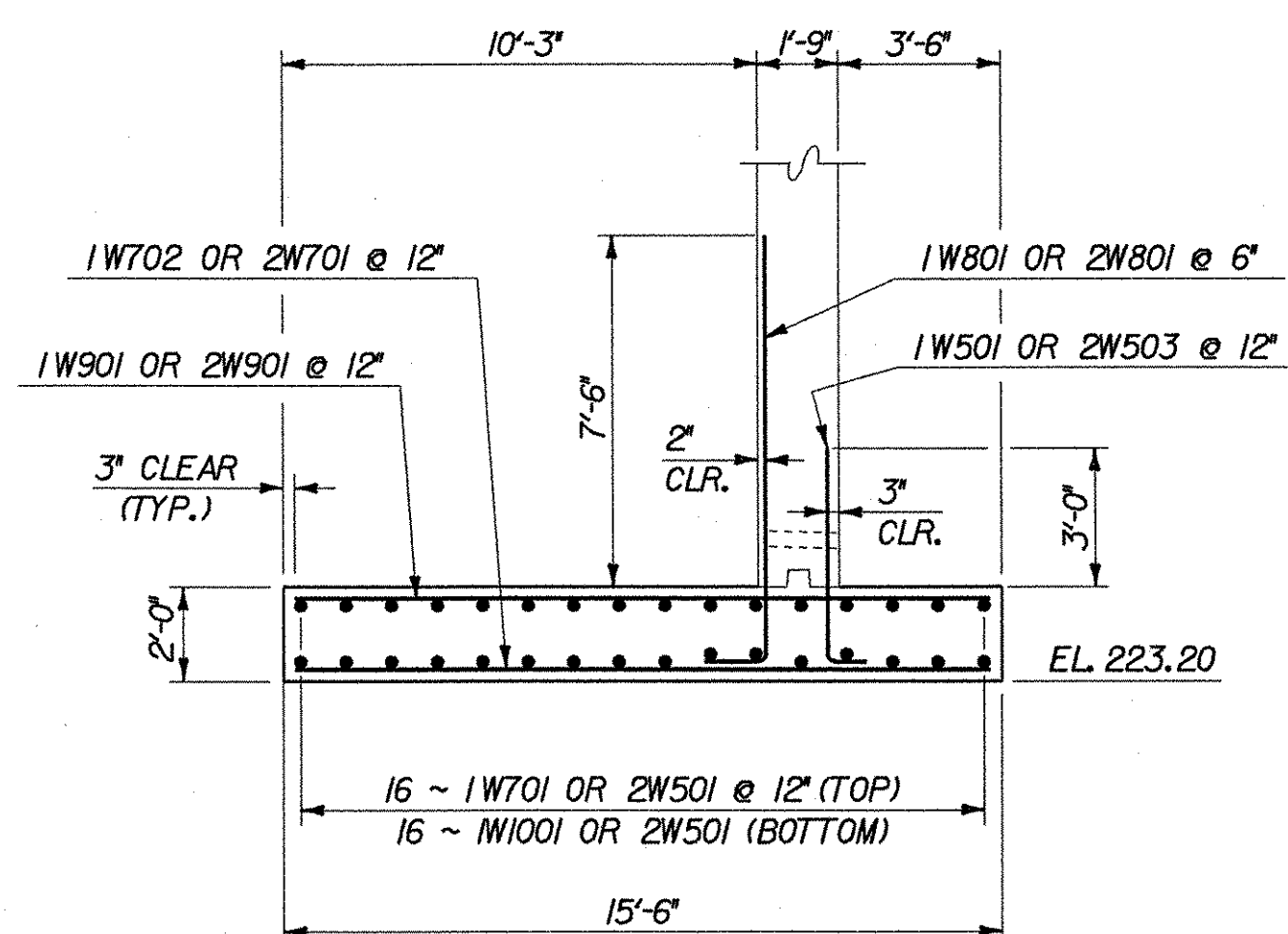


PLAN (REINFORCING)
SCALE: 1/4" = 1'-0"



SECTION A-A
SCALE: 1/4" = 1'-0"



SECTION B-B
SCALE: 1/4" = 1'-0"

NOTES

1. MINIMUM COVER FOR REINFORCING STEEL IN FOOTING SHALL BE 3\"/>

LEGEND

- N.F. = NEAR FACE
- F.F. = FAR FACE
- E.F. = EACH FACE
- ▲ = CUT TO FIT IN FIELD

STATE OF VERMONT AGENCY OF TRANSPORTATION	
Town Of SHELBURNE	Bridge No. 15
Highway No. TH 3	Log Sta. Surv. Sta.
BOSTWICK ROAD OVER VERMONT RAILWAY	
ABUTMENT NO. 1 FOOTING	
Designed By L. WIXSON	Drawn By S. MERKMAN
Checked By R. JOY	Bridge Design Supervisor
Date 05/03	Date 05/03
PROJECT SHELBURNE	PROJECT NO. BRO 1445(30)
I.C.C. Info. MN595402 Bostwick\BRIDGE\mjt\ar\z\196alf.dgn	
Bridge Sheet No. BRI/3	Sheet 53 of 73



PLOTTED 01-AUG-2003