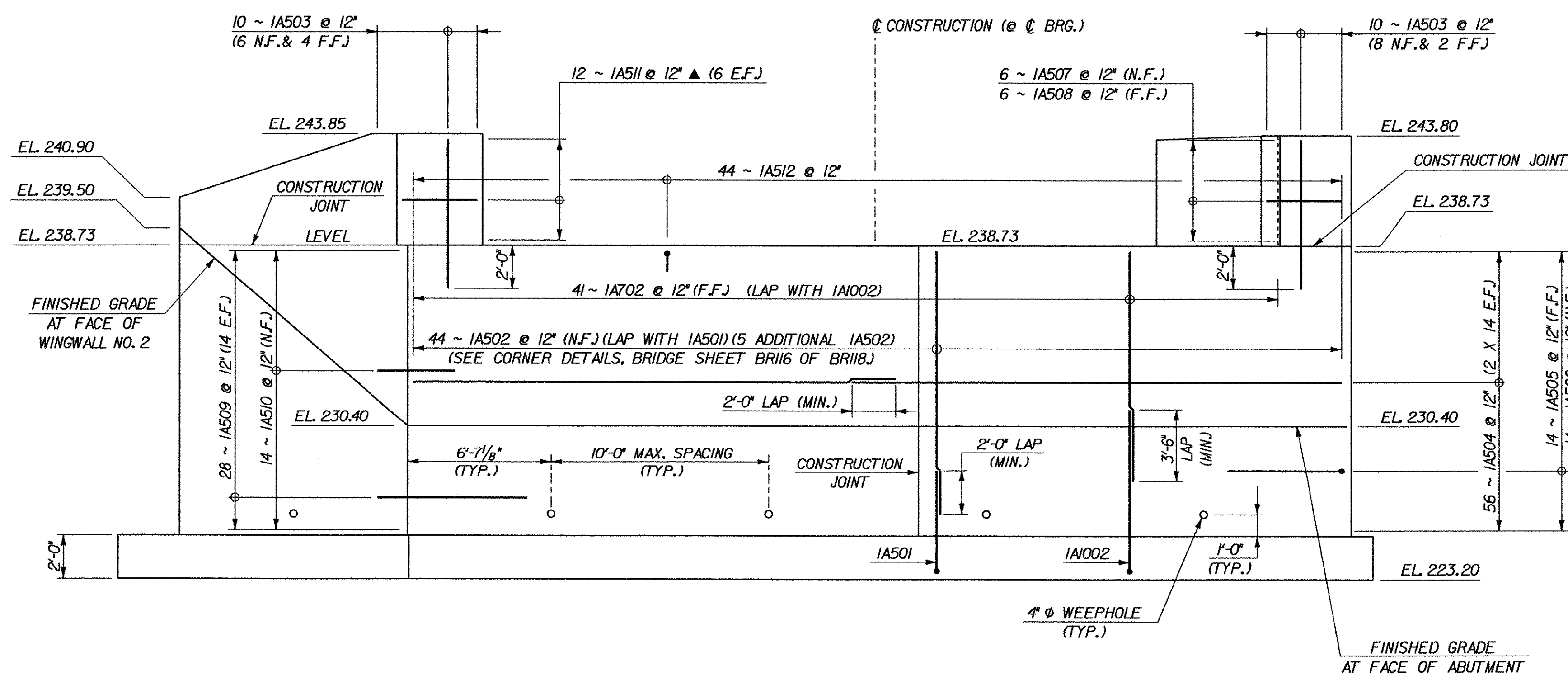
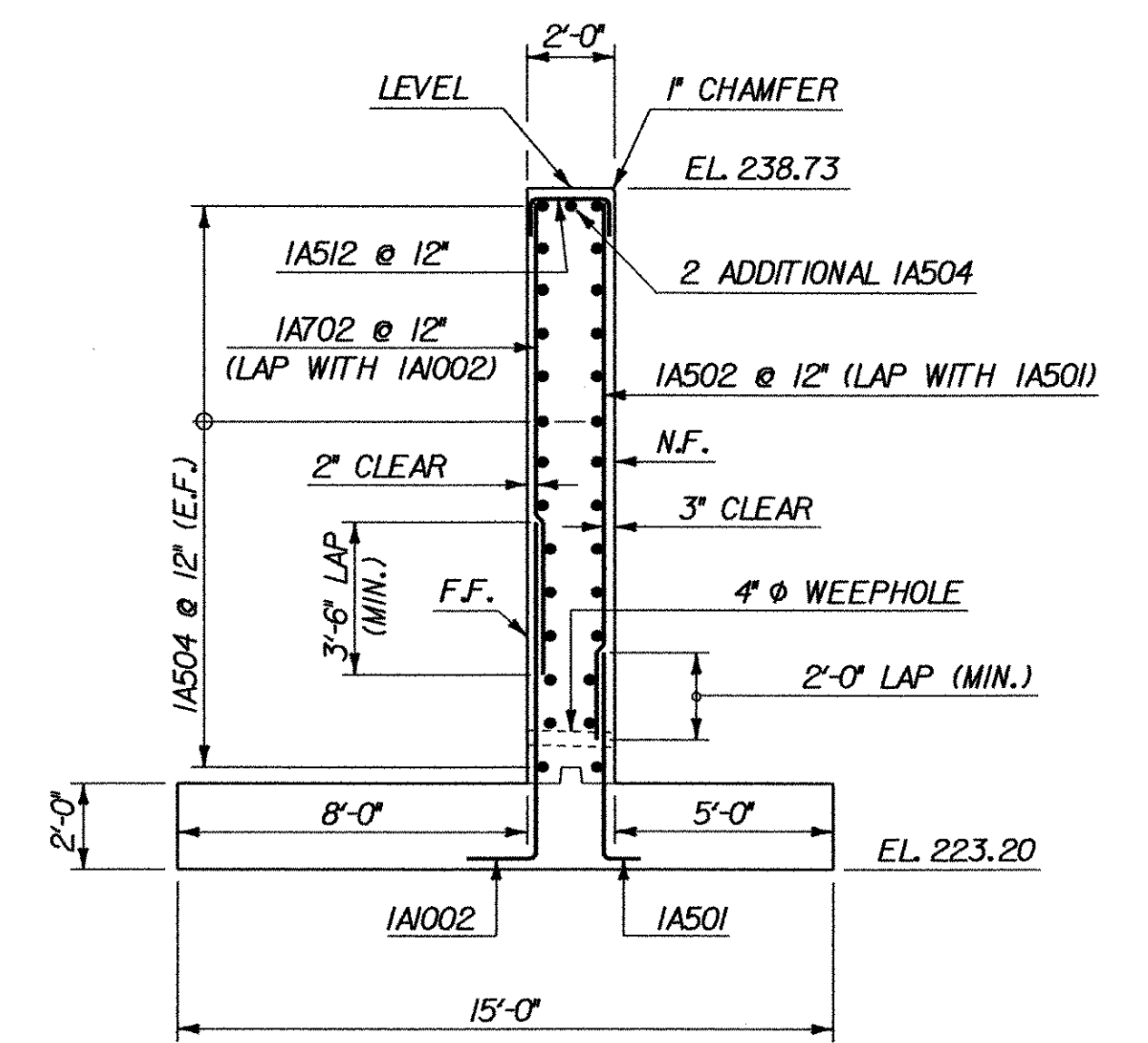


WORKING POINTS		
LOCATION	NORTHING	EASTING
W.P. 1	79605.5322	43981.2174
W.P. 2	79585.9275	43971.4687
W.P. 3	79565.7961	43961.4580



- NOTES**
- FOR FOOTING DETAILS, SEE BRIDGE SHEET BRI13A.
 - FOR WINGWALL DETAILS, SEE BRIDGE SHEET BRI17B.
 - FOR WINGWALL CORNER DETAILS, SEE BRIDGE SHEET BRI18B.

LEGEND

- N.F. = NEAR FACE
- F.F. = FAR FACE
- E.F. = EACH FACE
- ▲ = CUT TO FIT IN FIELD

- ▲ REVISE THE BEARING SEAT ELEVATION
- ▲ WINGWALL NO. 1 LAYOUT REVISED

**STATE OF VERMONT
AGENCY OF TRANSPORTATION**

Town Of	SHELBURNE	Bridge No.	15
Highway No.	TH 3	Log Sta.	
		Surv. Sta.	
BOSTWICK ROAD OVER VERMONT RAILWAY			
ABUTMENT NO. 1 (REVISED)			
Designed By	L. WIXSON / S. DELIA	Drawn By	S. MERKMAN / S. DELIA
Checked By	R. JOY	Bridge Design Supervisor	M. ZYDEL
Date	03/04	Date	03/04
PROJECT	SHELBURNE	PROJECT NO.	BRO 1445(30)
I.G.C. Info. G:\Structures\STR3_Roger Whitcomb\Consultants\McFarland-Johnson\Sherburne			
Bridge Sheet No.	BRI12A	Sheet	52A of 73



PLOTTED 24-MAR-2004