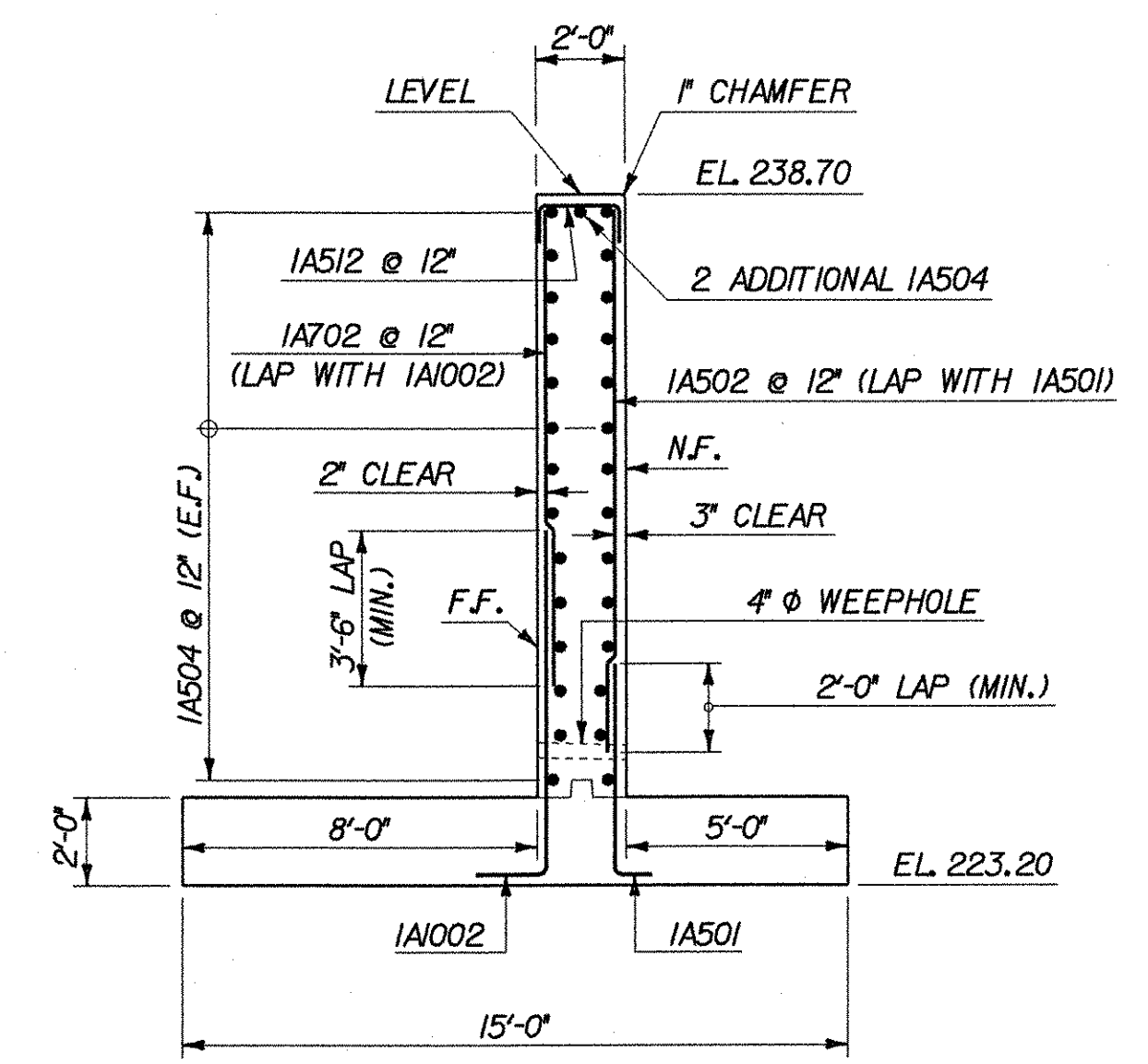
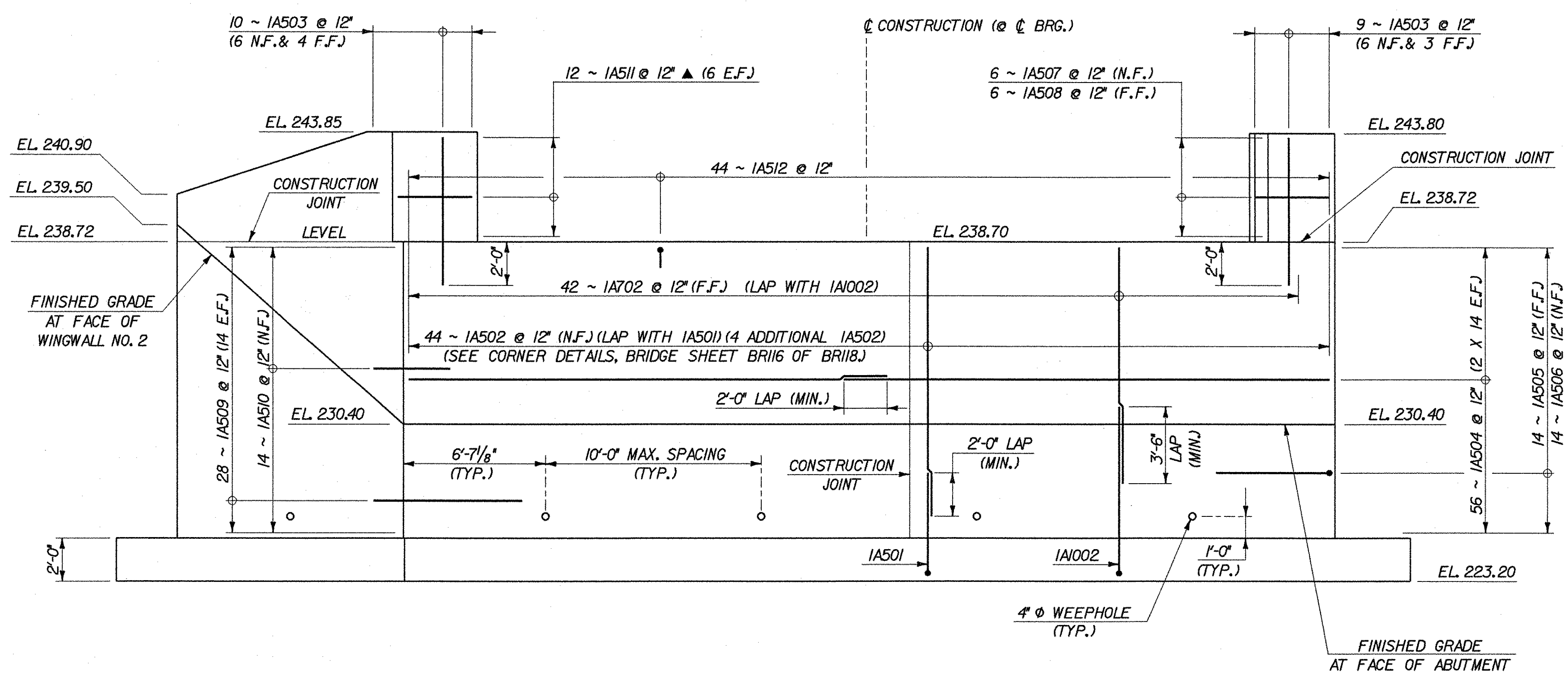


WORKING POINTS		
LOCATION	NORTHING	EASTING
W.P. 1	79605.3640	43981.1337
W.P. 2	79585.9275	43971.4687
W.P. 3	79565.7961	43961.4580



- NOTES**
- FOR FOOTING DETAILS, SEE BRIDGE SHEET BRII3.
 - FOR WINGWALL DETAILS, SEE BRIDGE SHEET BRII7.
 - FOR WINGWALL CORNER DETAILS, SEE BRIDGE SHEET BRII6.

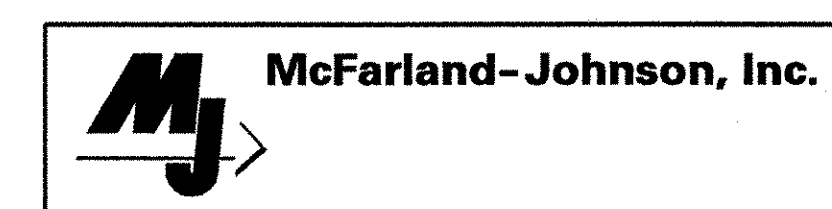


LEGEND

- N.F. - NEAR FACE
- F.F. - FAR FACE
- E.F. - EACH FACE
- ▲ - CUT TO FIT IN FIELD

**STATE OF VERMONT
AGENCY OF TRANSPORTATION**

Town Of	SHELBURNE	Bridge No.	15
Highway No.	TH 3	Log Sta.	
		Surv. Sta.	
BOSTWICK ROAD OVER VERMONT RAILWAY			
ABUTMENT NO. 1			
Designed By	L. WIXSON	Drawn By	S. MERKMAN
Checked By	R. JOY	Date	05/03
		Bridge Design Supervisor	M. ZYDEL
		Date	05/03
PROJECT	SHELBURNE	PROJECT NO.	BRO 1445(30)
I.G.C. Info. M:\595402_Bostwick\BRIDGE\6m\larz\1196abl.dgn			
Bridge Sheet No.	BRII2	Sheet	52 of 73



PLOTTED 01-AUG-2003