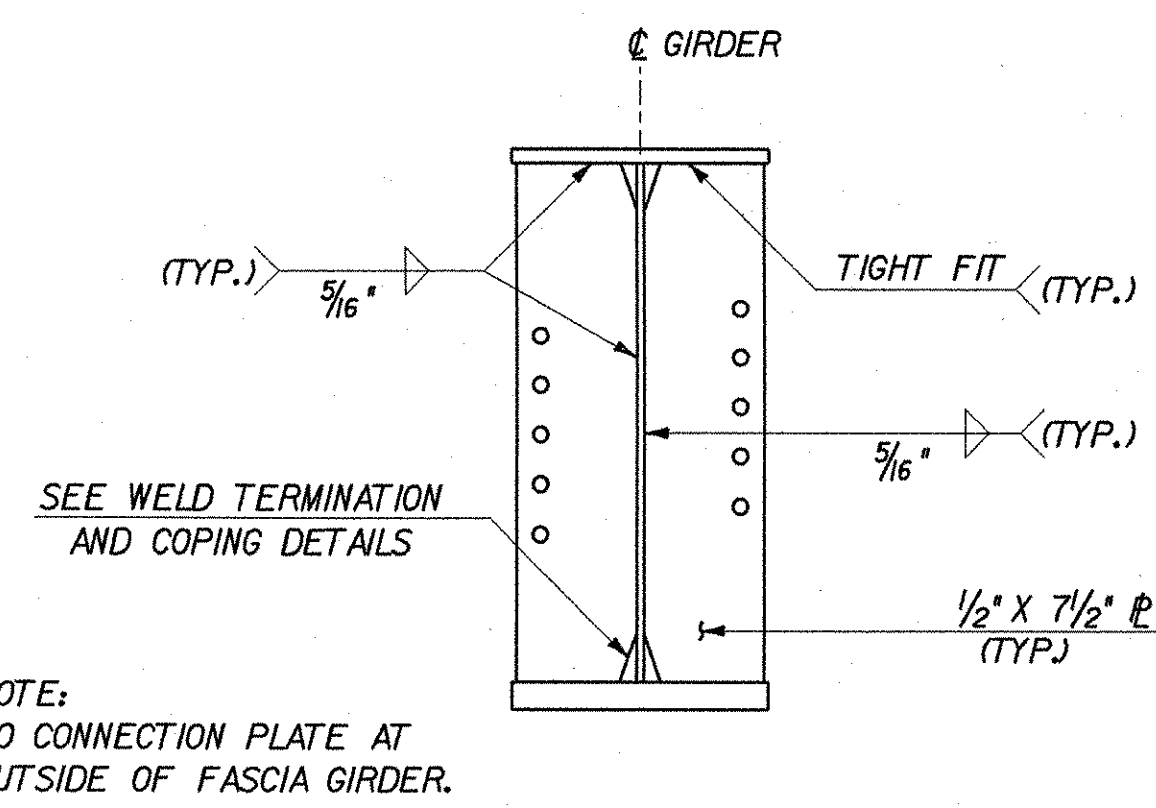
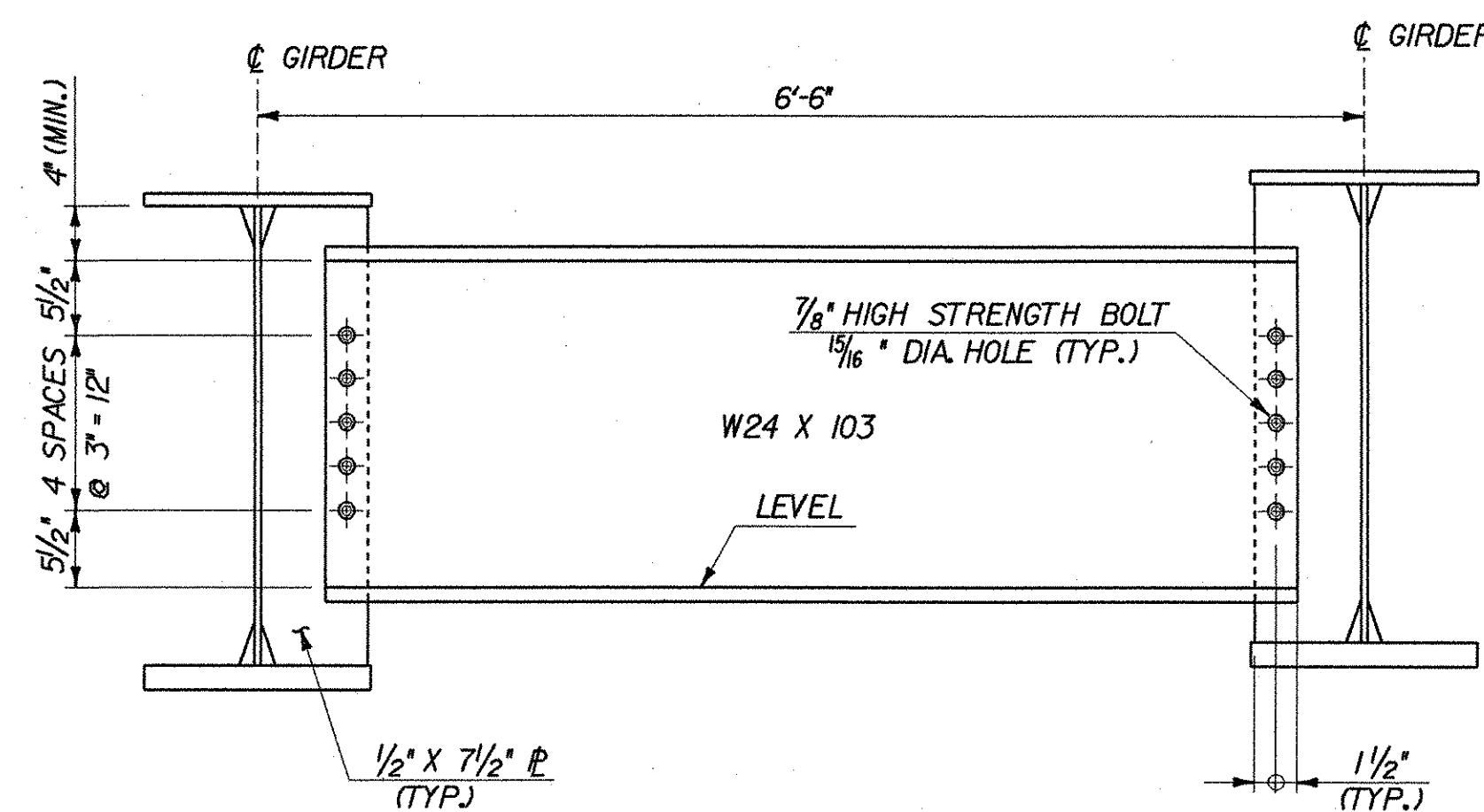


* NO WELD FOR 1/4" MIN. 1/2" MAX.
(EXCEPT MUST MAINTAIN 1" MIN. FROM EDGE OF FLANGE)



NOTE:
NO CONNECTION PLATE AT
OUTSIDE OF FASCIA GIRDER.



**STATE OF VERMONT
AGENCY OF TRANSPORTATION**

Town Of	SHELBURNE	Bridge No.	15
Highway No.	TH 3	Log Sta.	
		Surv. Sta.	
BOSTWICK ROAD OVER VERMONT RAILWAY FRAMING PLAN AND DETAILS			
Designed By	L. WIXSON	Drawn By	S. MERKWAN
Checked By	R. JOY	Date	05/03
		Bridge Design Supervisor	M. ZYDEL
		Date	05/03
PROJECT	SHELBURNE	PROJECT NO.	BRO 1445(30)
I.G.C. Info. MN595402 Bostwick\BRIDGE\6m\1445\1961.pl.dgn			
Bridge Sheet No.	BR108	Sheet	48 of 73

