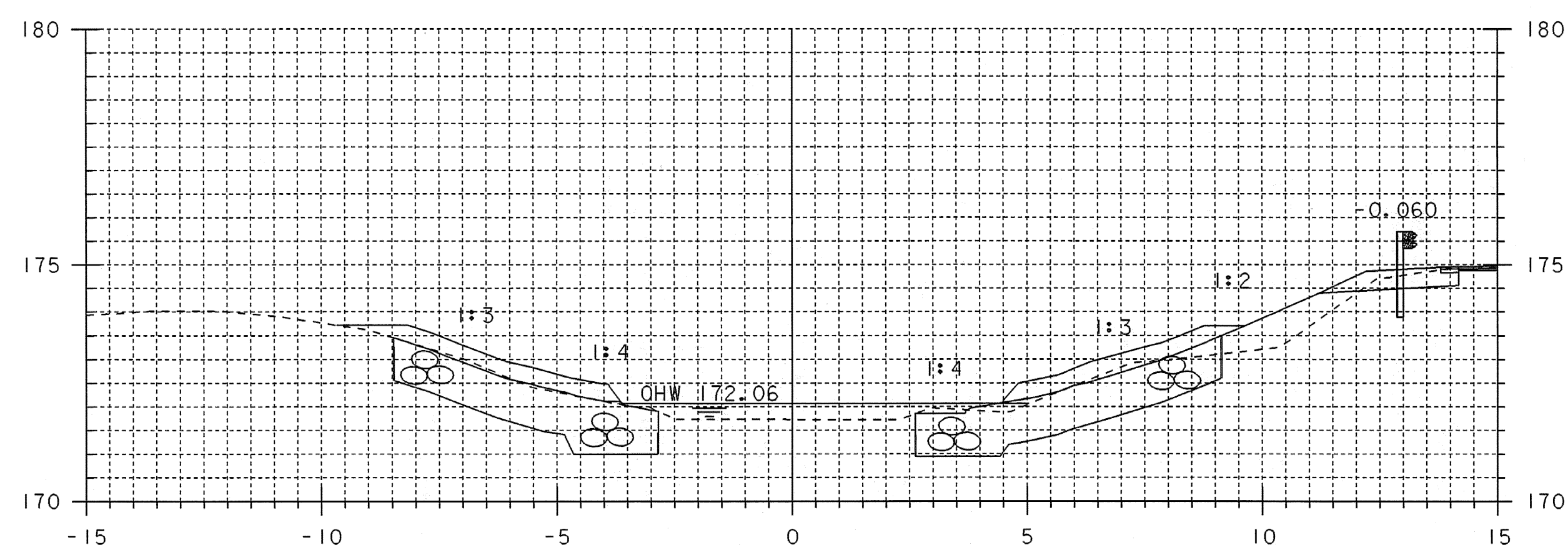
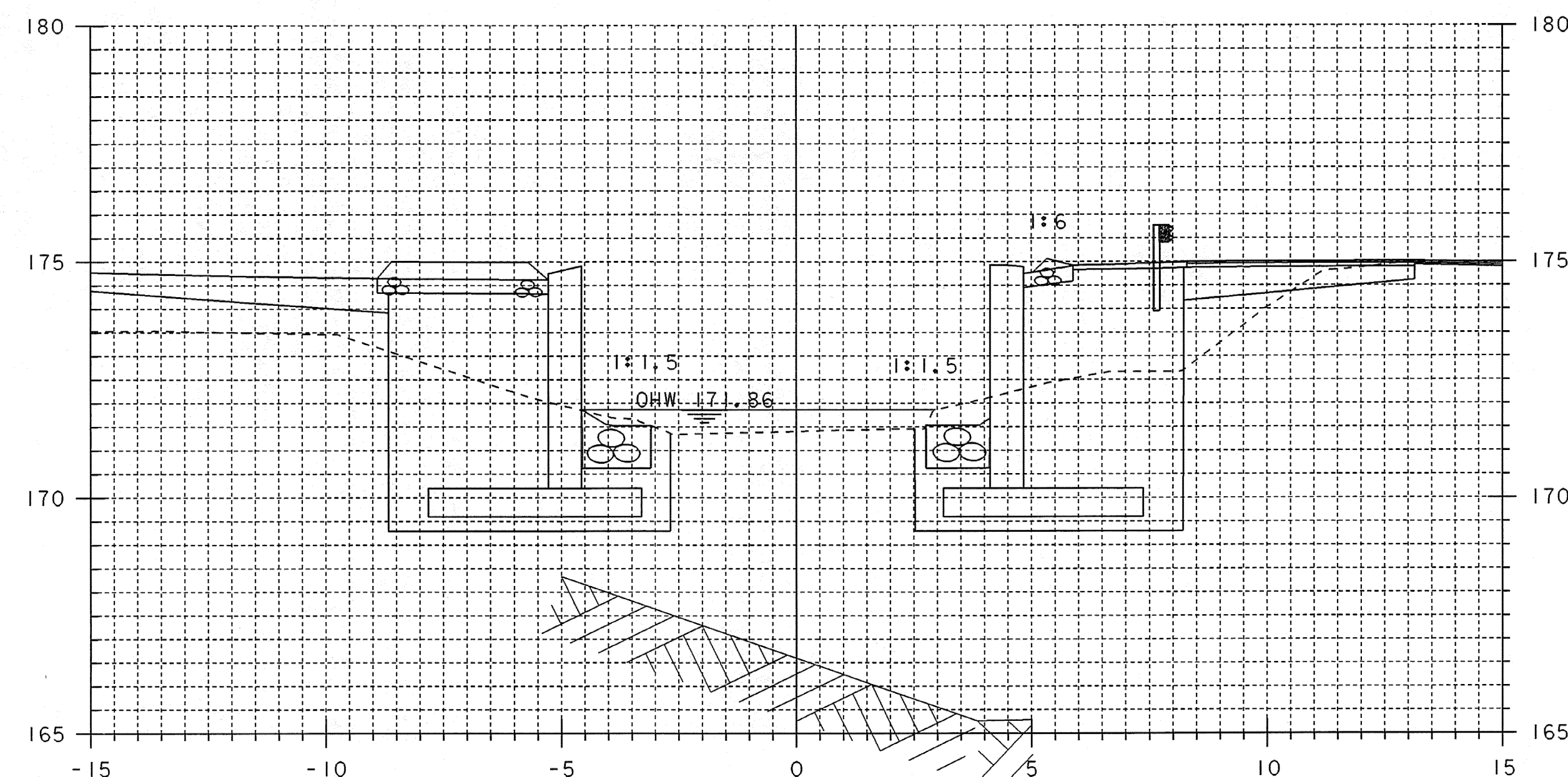


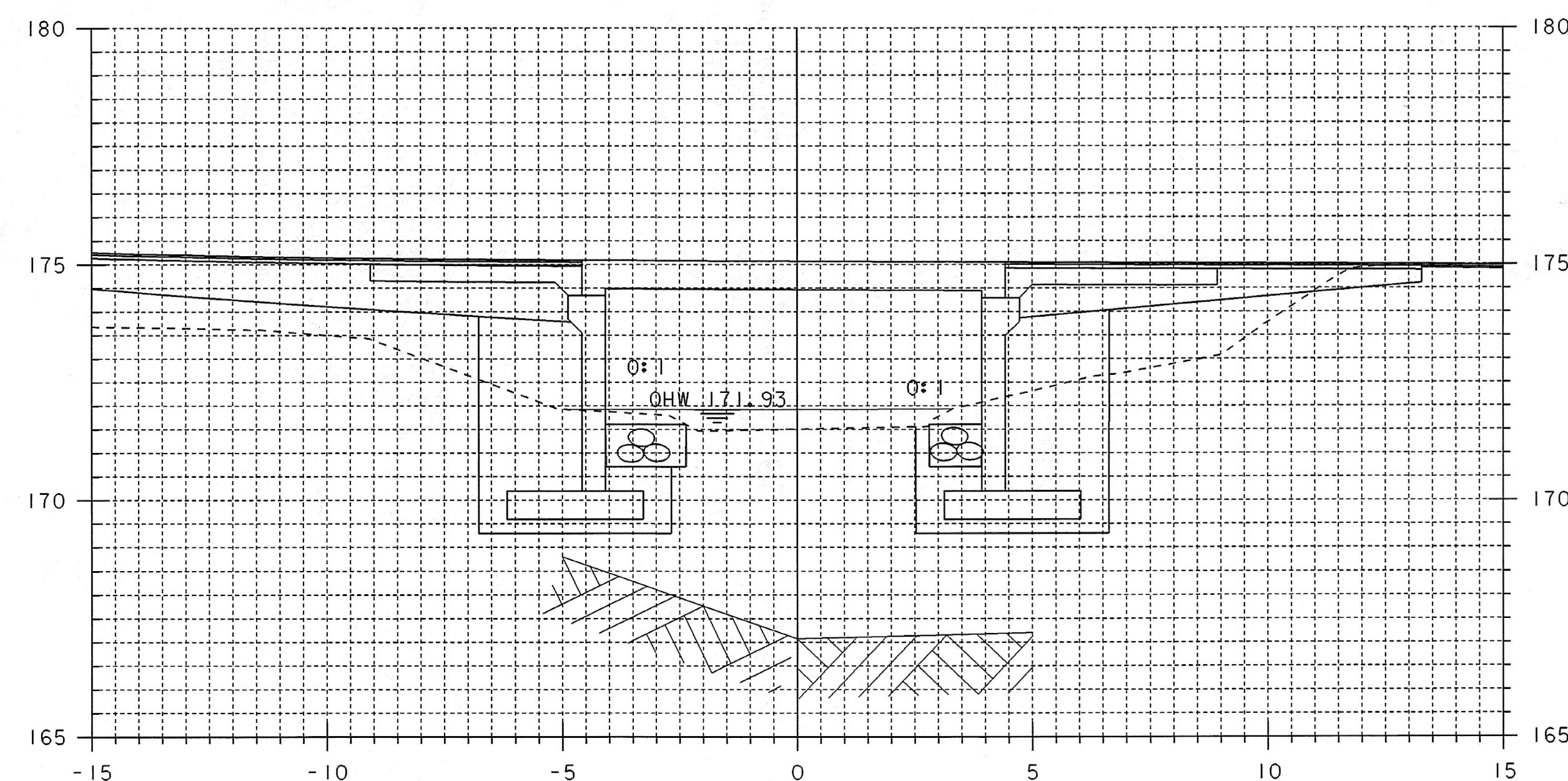
50+045



50+040



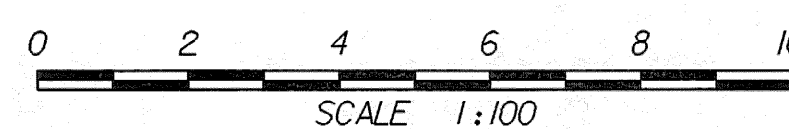
50+055



50+050

CHANNEL CROSS SECTIONS 2

PROJECT NAME:	GUILFORD	PLOT DATE:	15-APR-2008
PROJECT NUMBER:	BRO 1442(24)	DRAWN BY:	T. LACKEY
FILE NAME:	sj076c02.j	DESIGNED BY:	J. PERRIGO
PROJECT LEADER:	R. WHITCOMB	CHECKED BY:	T. LACKEY
94j076\Structures\sj076xs3.dgn		SHEET	53 OF 59



STA. 50+040 TO STA. 50+055