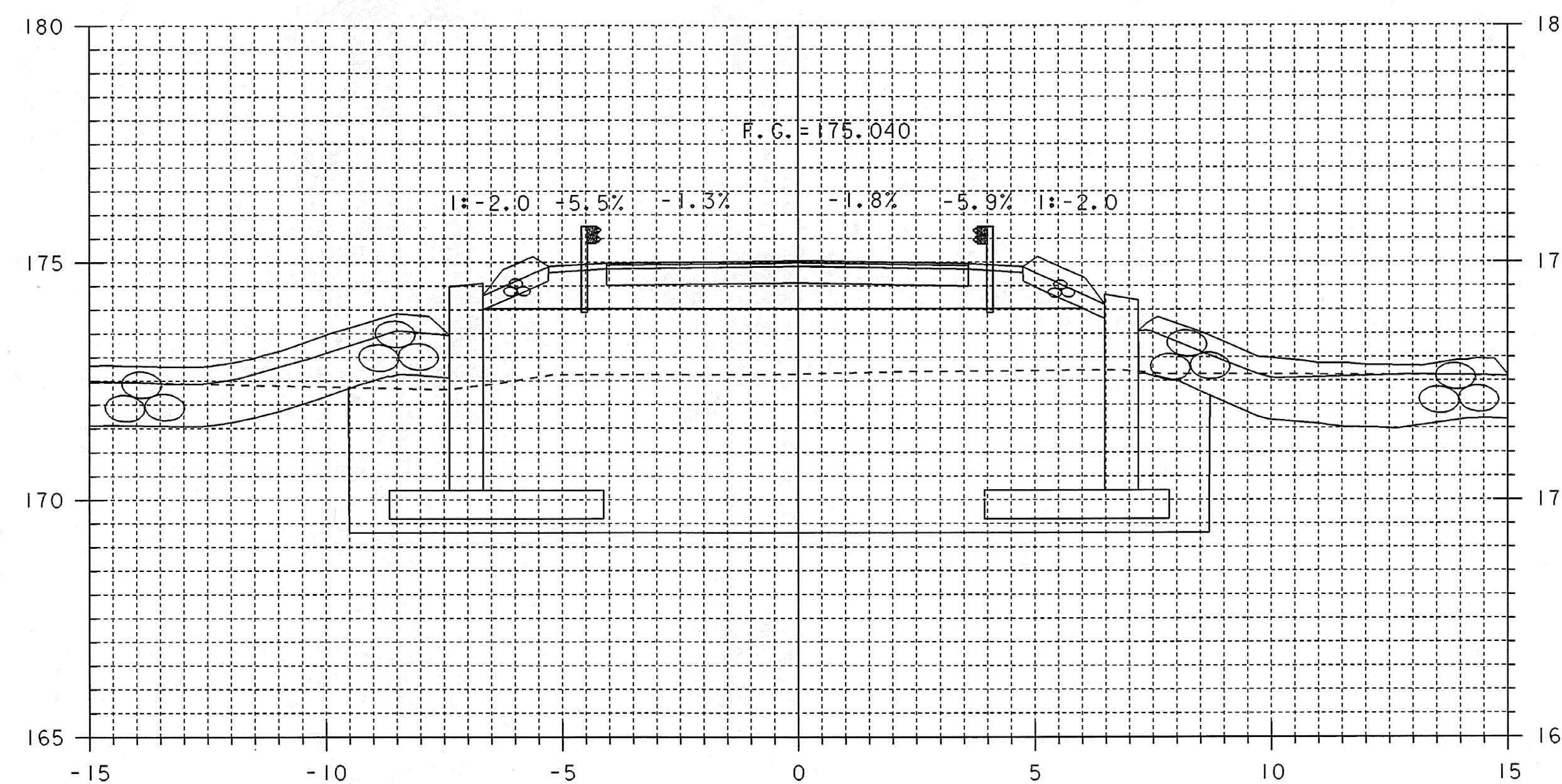
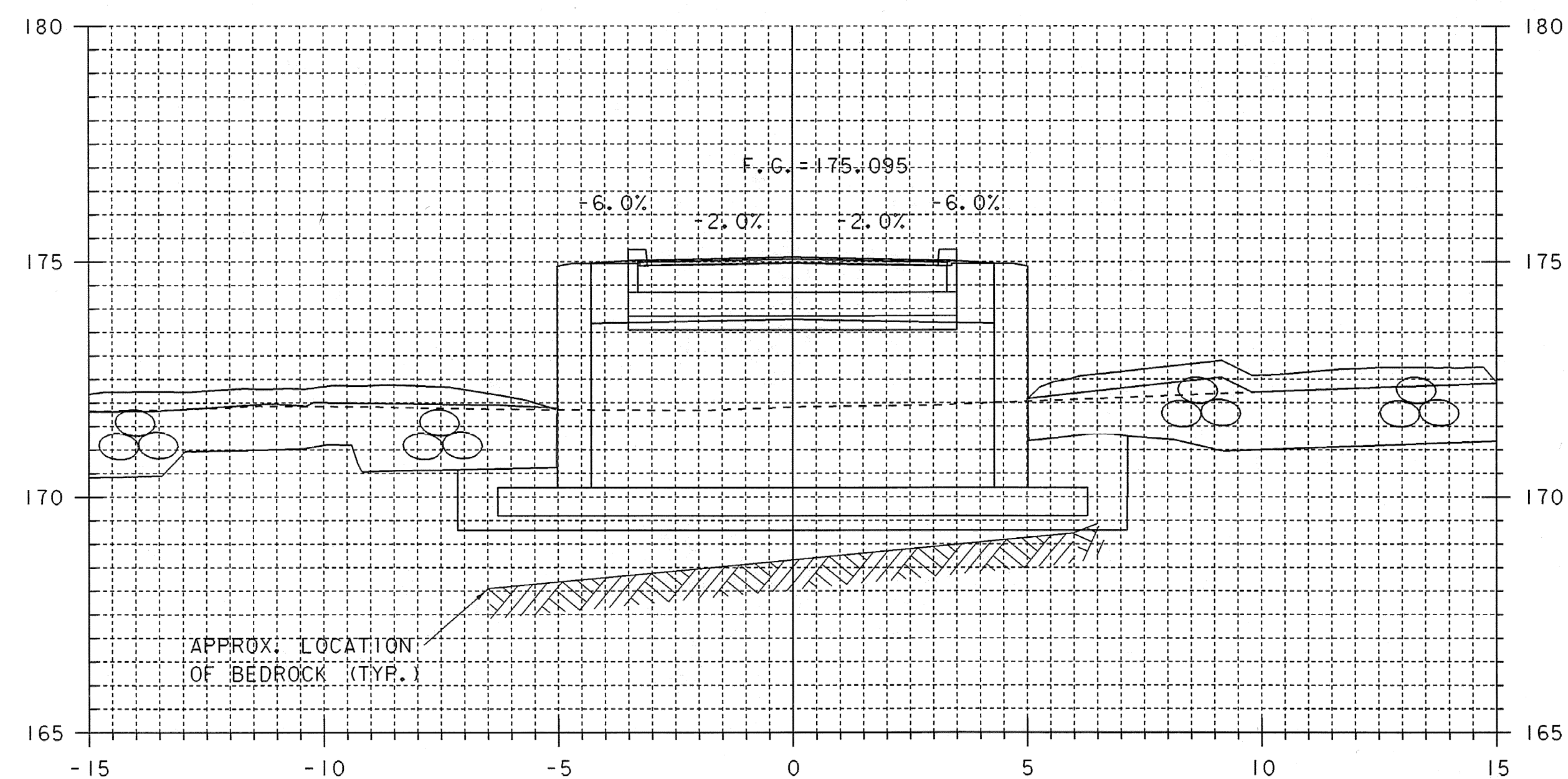


40+120

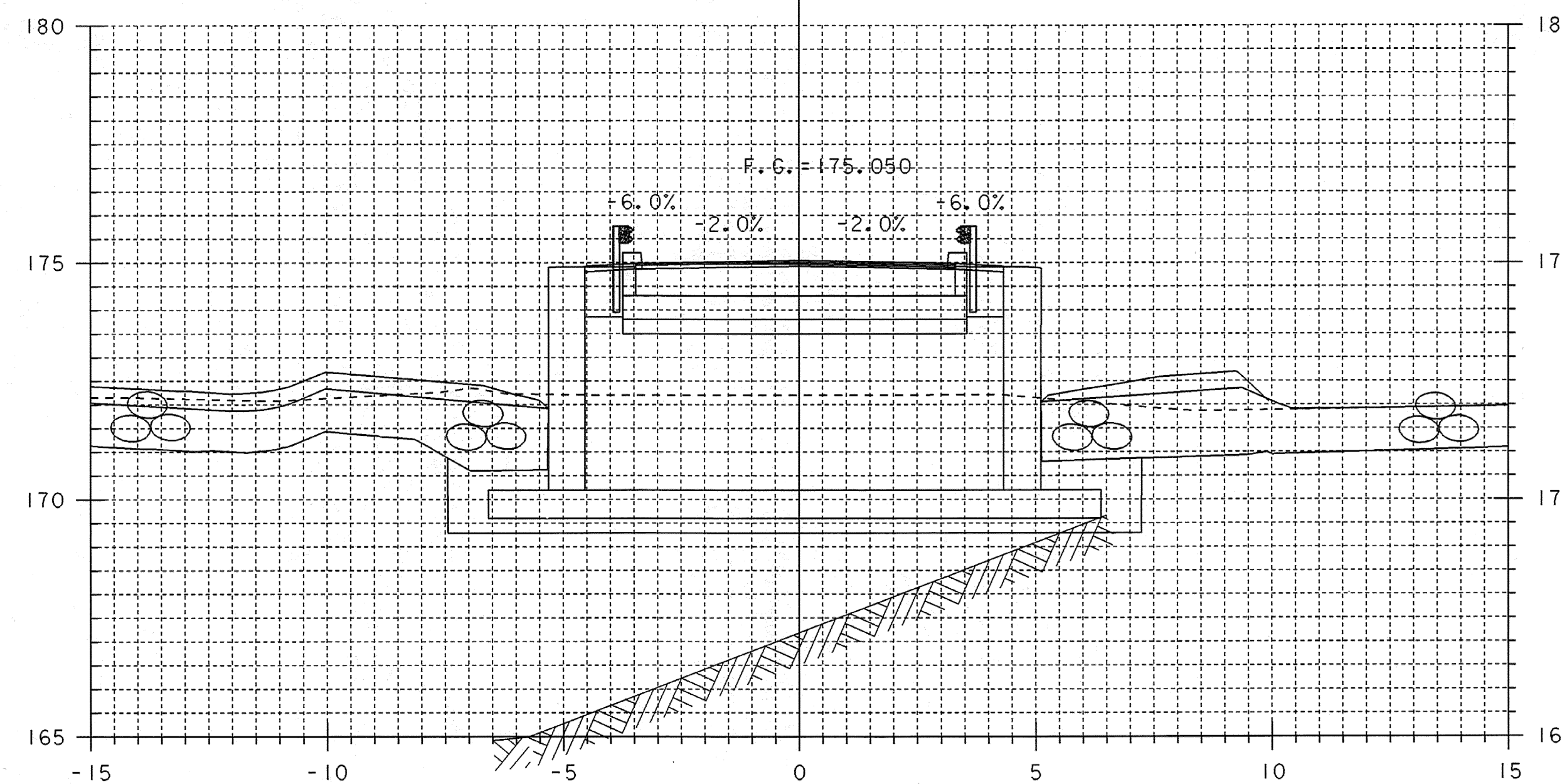


40+130



40+118.922

40+118.922
BEGIN BRIDGE

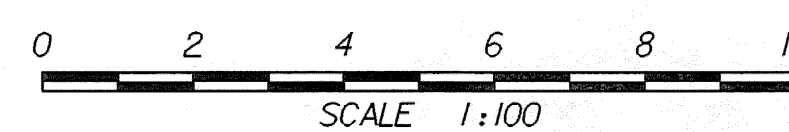


40+127.922

40+127.922
END BRIDGE

MAINLINE CROSS SECTIONS 5

PROJECT NAME:	GUILFORD	PLOT DATE:	15-APR-2008
PROJECT NUMBER:	BRO 1442(24)	DRAWN BY:	T. LACKY
FILE NAME:	sj076m05.i	DESIGNED BY:	J. PERRIGO
PROJECT LEADER:	R. WHITCOMB	CHECKED BY:	T. LACKY
94J076\Structures\sj076xs3.dgn		SHEET	48 OF 59



STA. 40+119 TO STA. 40+130