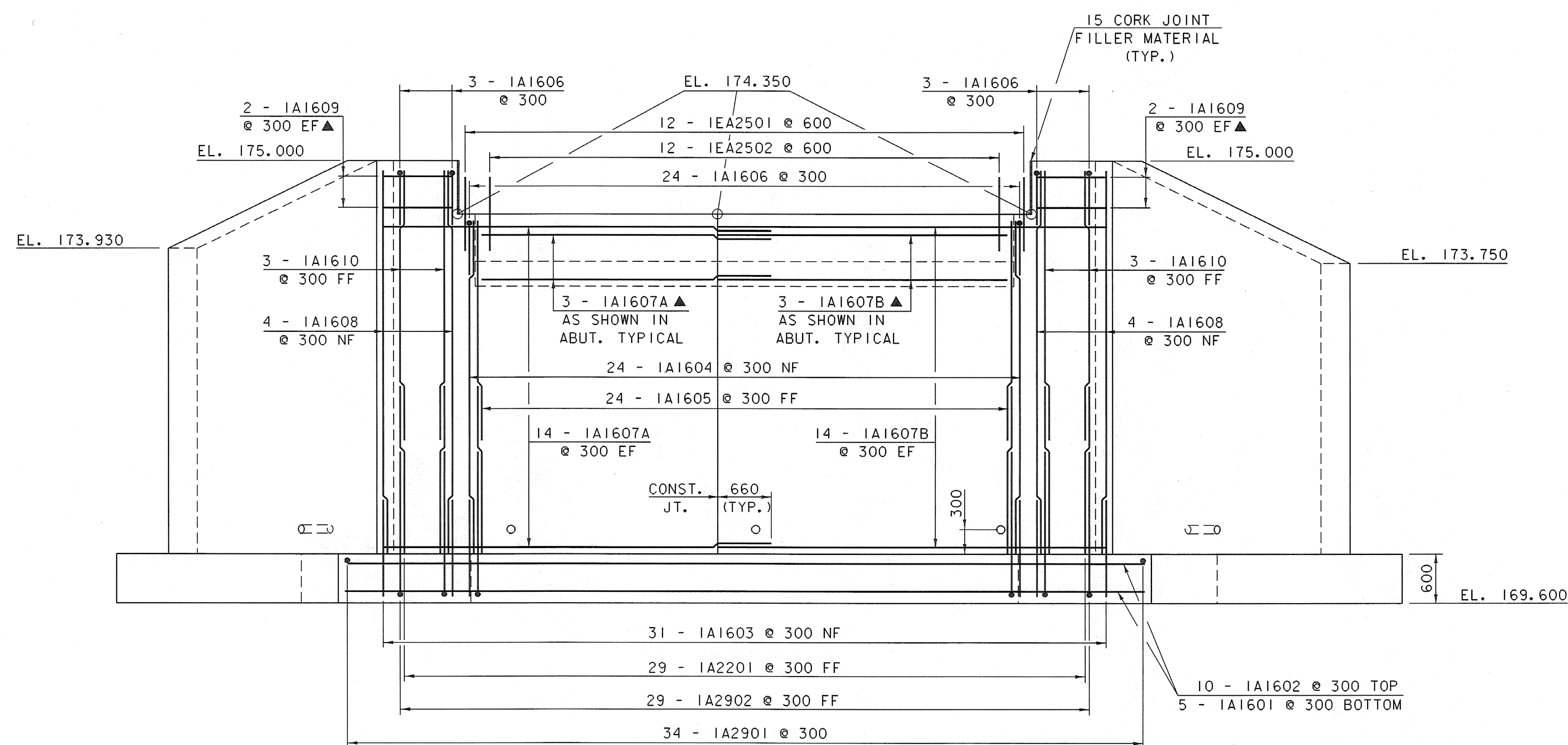
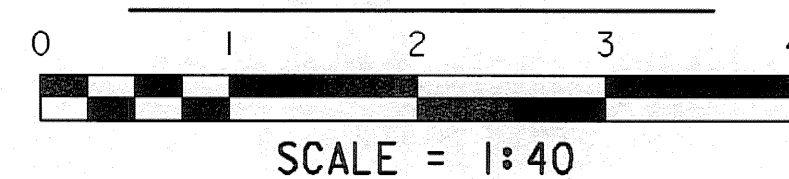
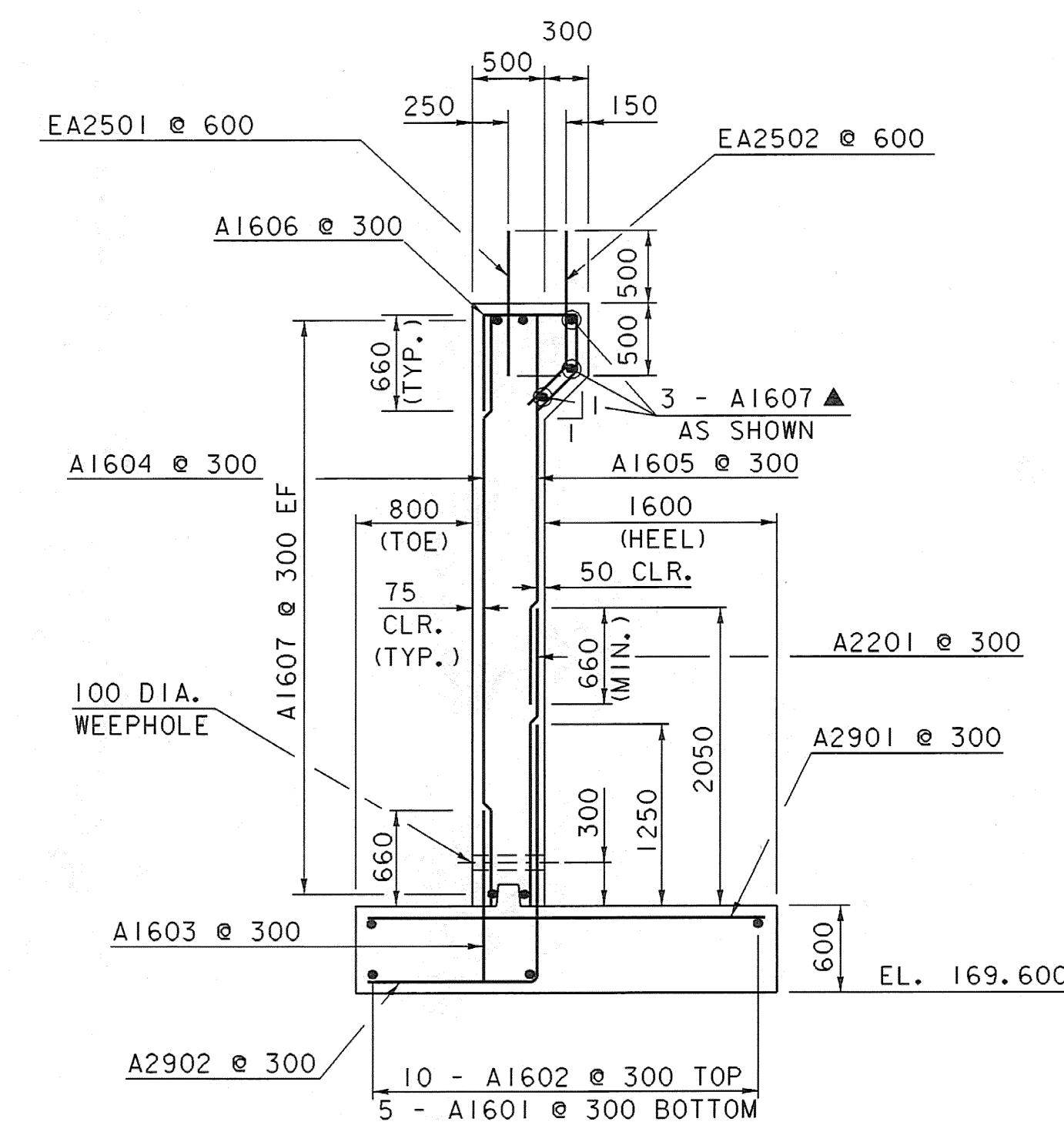
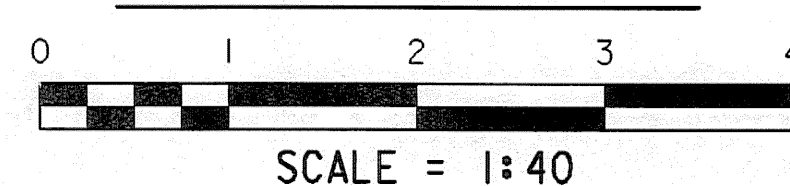


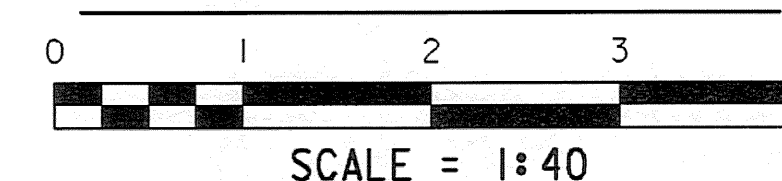
**ABUTMENT NO. 1**



**ABUTMENT NO. 1**



**ABUTMENT TYPICAL**



**NOTE:**

NF = NEAR FACE  
 FF = FAR FACE  
 EF = EACH FACE  
 ▲ = CUT TO FIT IN FIELD  
 80 CLR. UNLESS OTHERWISE SPECIFIED ON THE PLANS.

**ABUTMENT I DETAILS**

PROJECT NAME:	GUILFORD	PLOT DATE:	15-APR-2008
PROJECT NUMBER:	BRO 1442(24)	DRAWN BY:	L. BULLOCK
FILE NAME:	sj076abl.i	DESIGNED BY:	J. PERRIGO
PROJECT LEADER:	R. WHITCOMB	CHECKED BY:	T. LACKEY
94J076\Structures\sj076ab.dgn		SHEET	38 OF 59