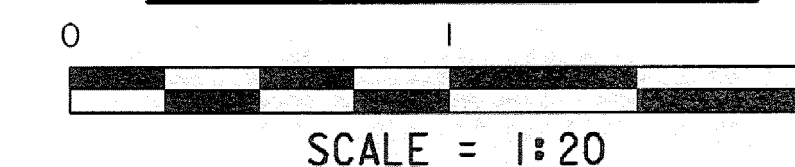
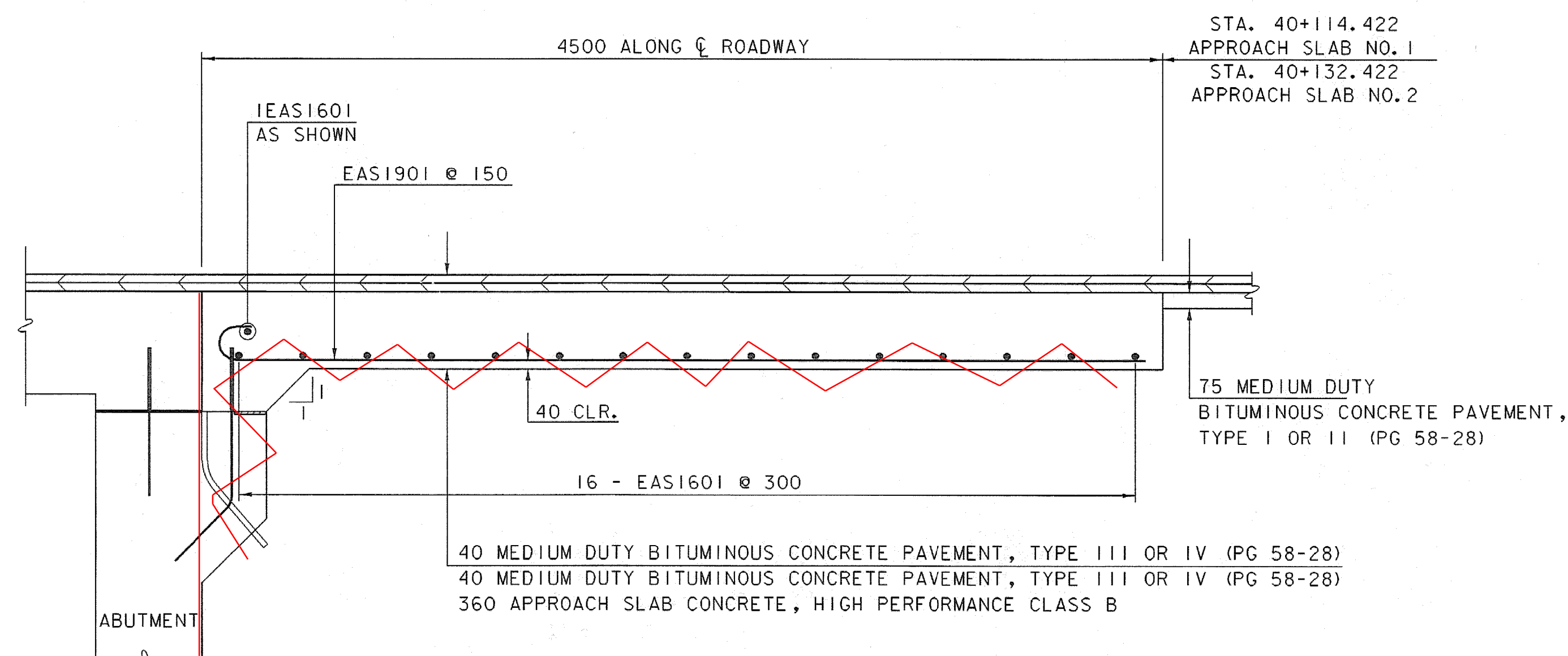
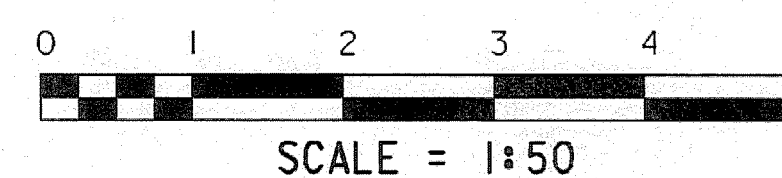


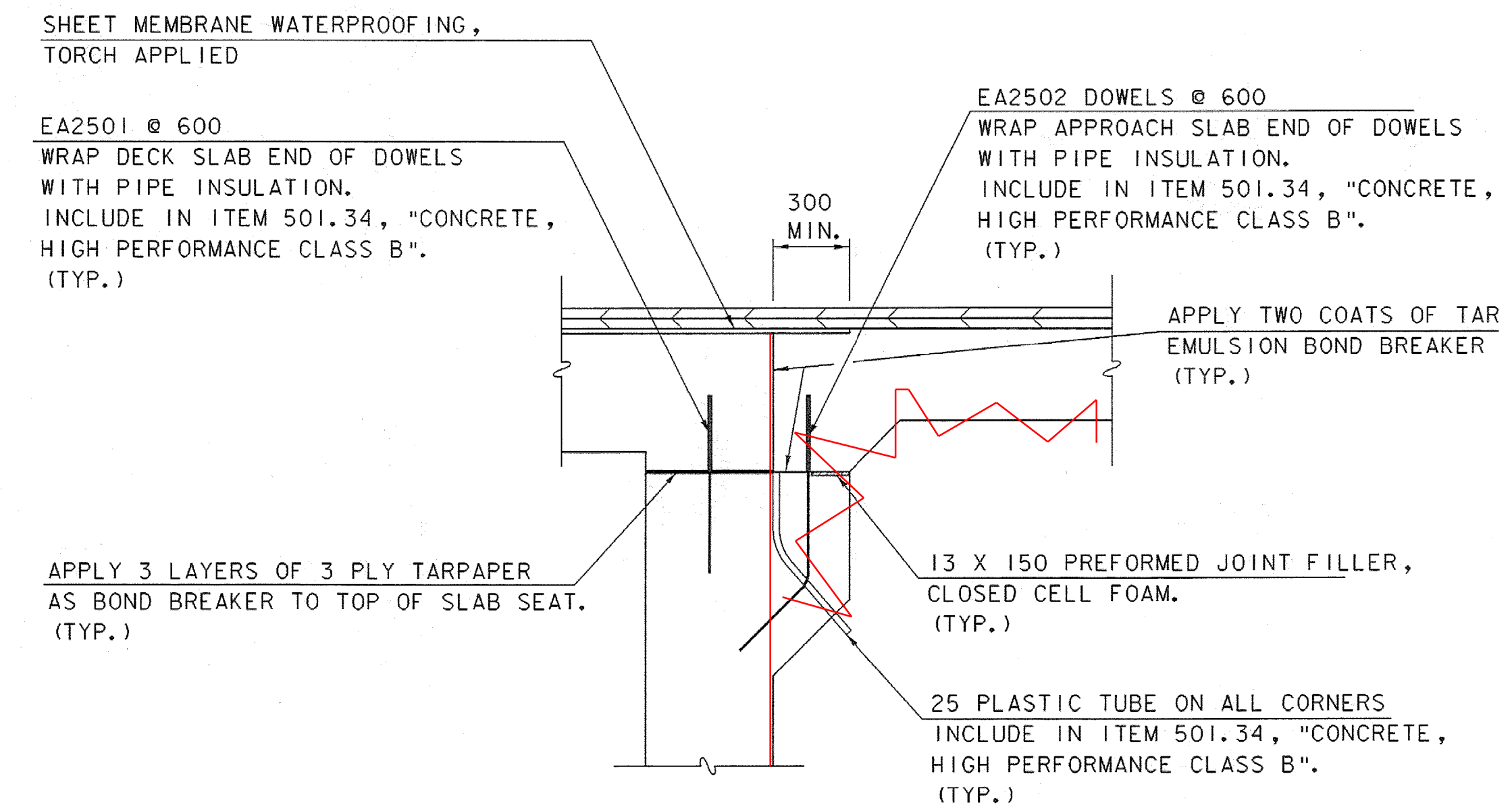
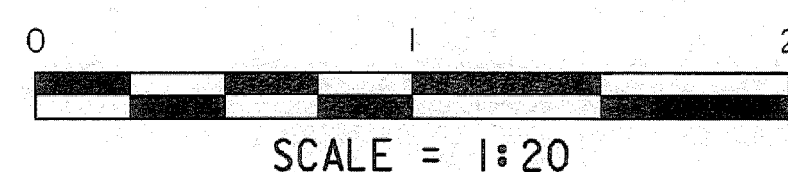
**CHAMFER DETAIL**



**APPROACH SLABS ELIMINATED**  
**APPROACH SLAB PLAN**



**APPROACH SLAB DETAIL**



**BRIDGE END DETAIL**

NTS

**NOTE:**

- NF = NEAR FACE
- FF = FAR FACE
- EF = EACH FACE
- ▲ = CUT TO FIT IN FIELD
- 80 CLR. UNLESS OTHERWISE SPECIFIED ON THE PLANS.

**APPROACH SLAB DETAILS**

PROJECT NAME: GUILFORD  
PROJECT NUMBER: BRO 1442(24)

FILE NAME: sj076ty2.j  
PROJECT LEADER: R. WHITCOMB  
DESIGNED BY: J. PERRIGO  
94j076\Structures\sj076sup.dgn

PLOT DATE: 15-APR-2008  
DRAWN BY: L. BULLOCK  
CHECKED BY: T. LACKEY  
SHEET 37 OF 59