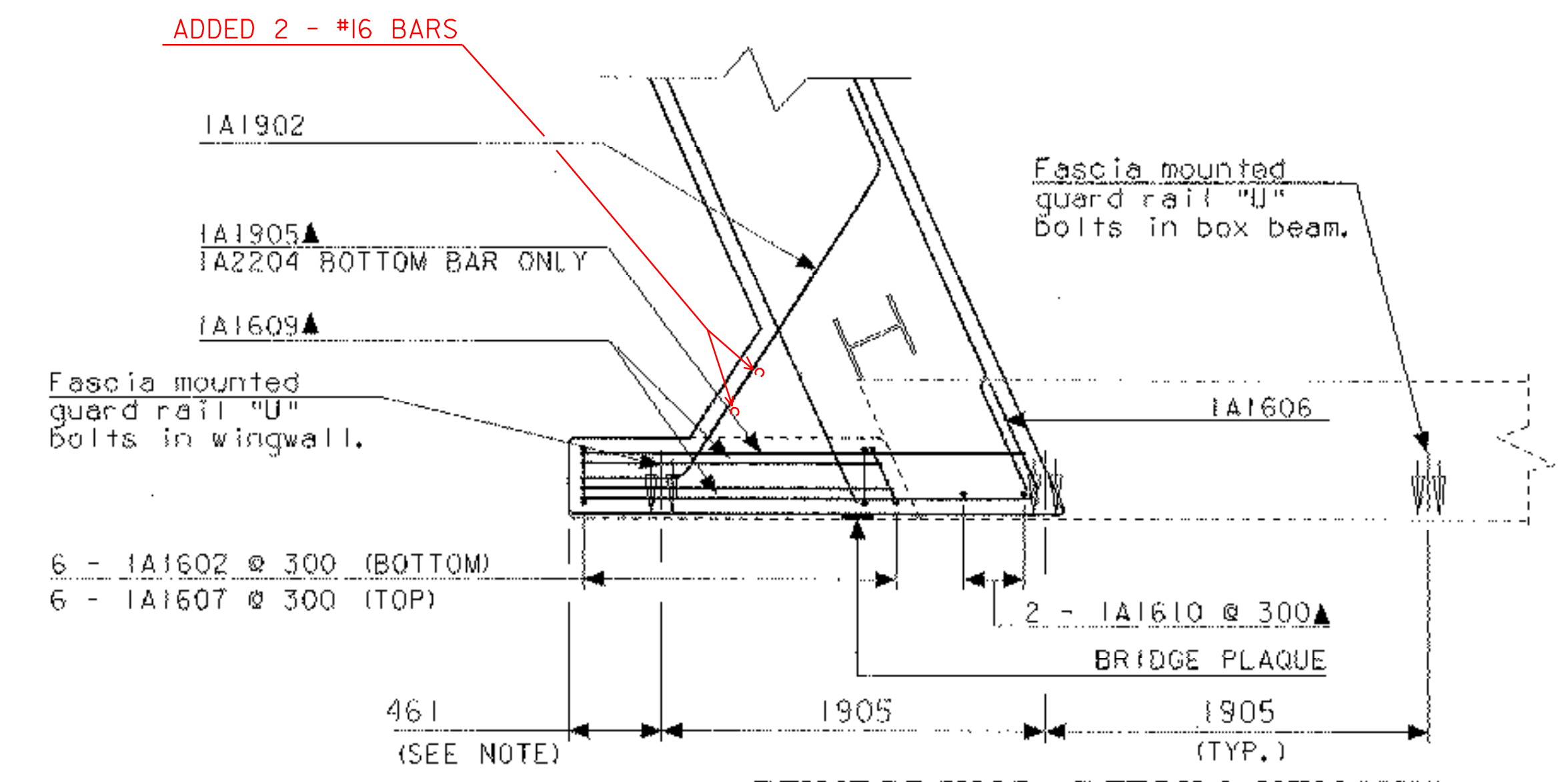
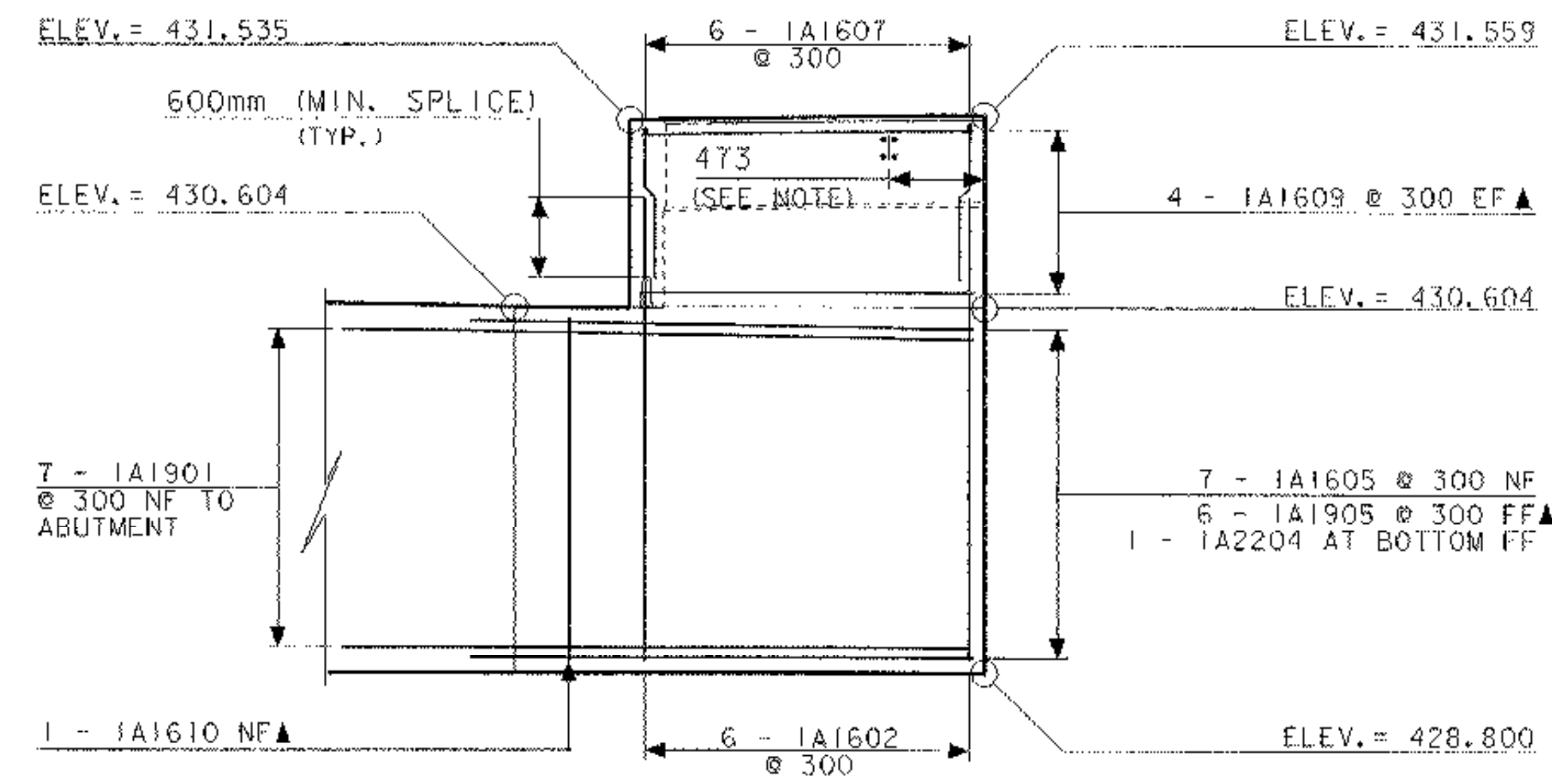


28 REINFORCING DETAILS WINGWALL #1
SCALE 1:250

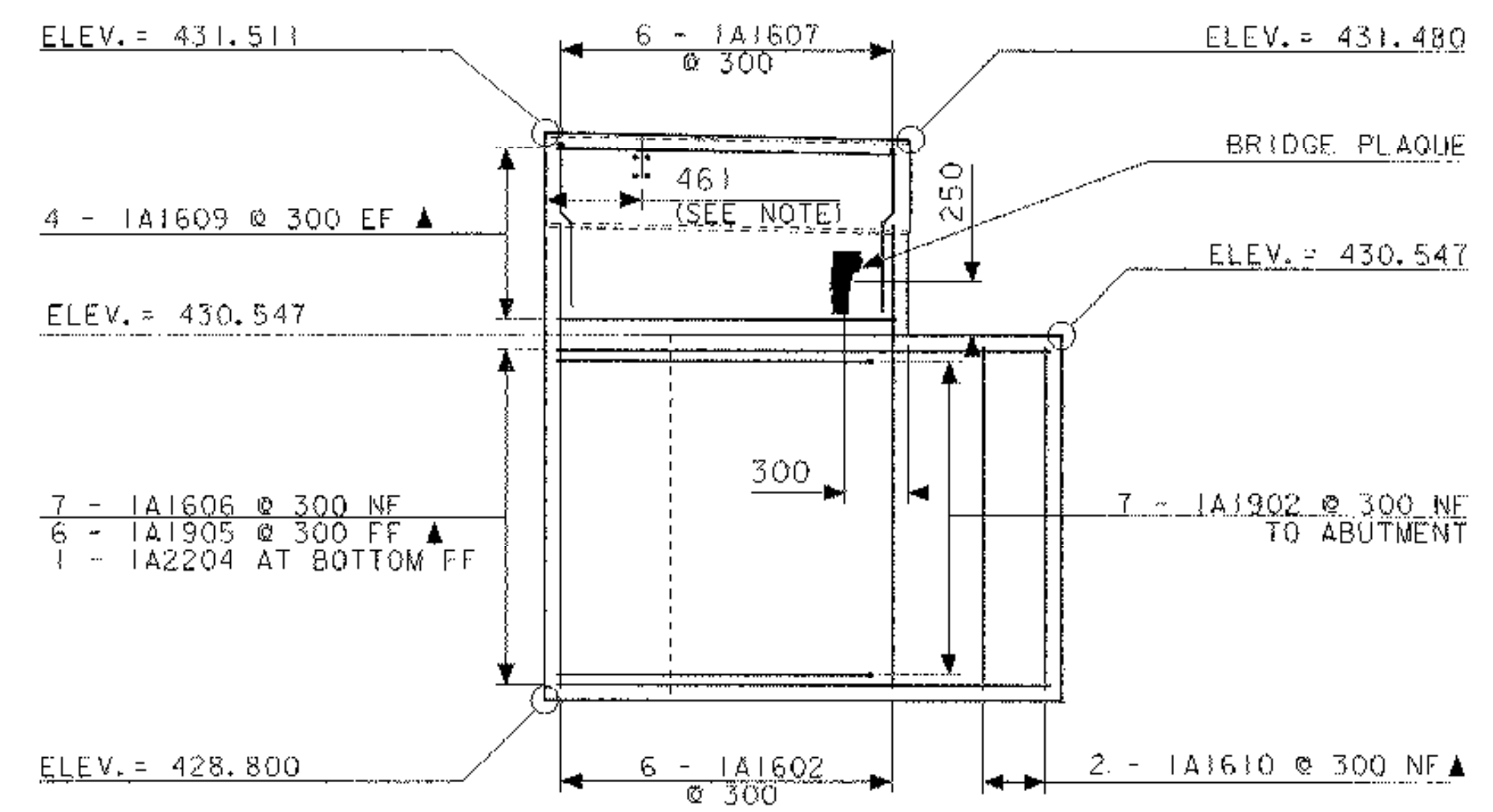


30 REINFORCING DETAILS WINGWALL #2
BRIDGE PLAQUE LAYOUT
SCALE 1:250

VTRANS WILL SUPPLY THE BRIDGE PLAQUE. THE CONTRACTOR WILL INSTALL THE PLAQUE ON WINGWALL #2 AS SHOWN OR AS THE ENGINEER DIRECTS. ALL WORK REQUIRED TO INSTALL THE PLAQUE SHALL BE PAID INCIDENTAL TO ITEM 501.34, "CONCRETE, HIGH PERFORMANCE CLASS B."



29 PLAN VIEW REINFORCING DETAILS WINGWALL #1
SCALE 1:250



31 PLAN VIEW REINFORCING DETAILS WINGWALL #2
BRIDGE PLAQUE LAYOUT
SCALE 1:250

NOTE:
The locations on the wing wall for guard rail fascia "U" bolts will be verified once the box beams are secured in place. Measurements will be taken from the box beam guard rail fascia "U" bolts to verify the final wing wall "U" bolt locations, adjust guard rail "U" bolts in the wing wall as necessary for proper guard rail fit.

NF - NEAR FACE
FF - FAR FACE
EF - EACH FACE

WINGWALLS 1 AND 2 REINFORCING DETAILS

PROJECT NAME:	CHARLESTON	PLOT DATE:	13-APR-2006
PROJECT NUMBER:	BRO (449) (22)	DRAWN BY:	G. ROKES
FILE NAME:	93J051/STR/sj051ab+.dgn	CHECKED BY:	S. SCRIBNER
PROJECT MANAGER:	M. EVANS-MONGEON	SHEET	38 OF 50
DESIGNED BY:	G. COLGROVE		
IPARM:	sj051wrb1		