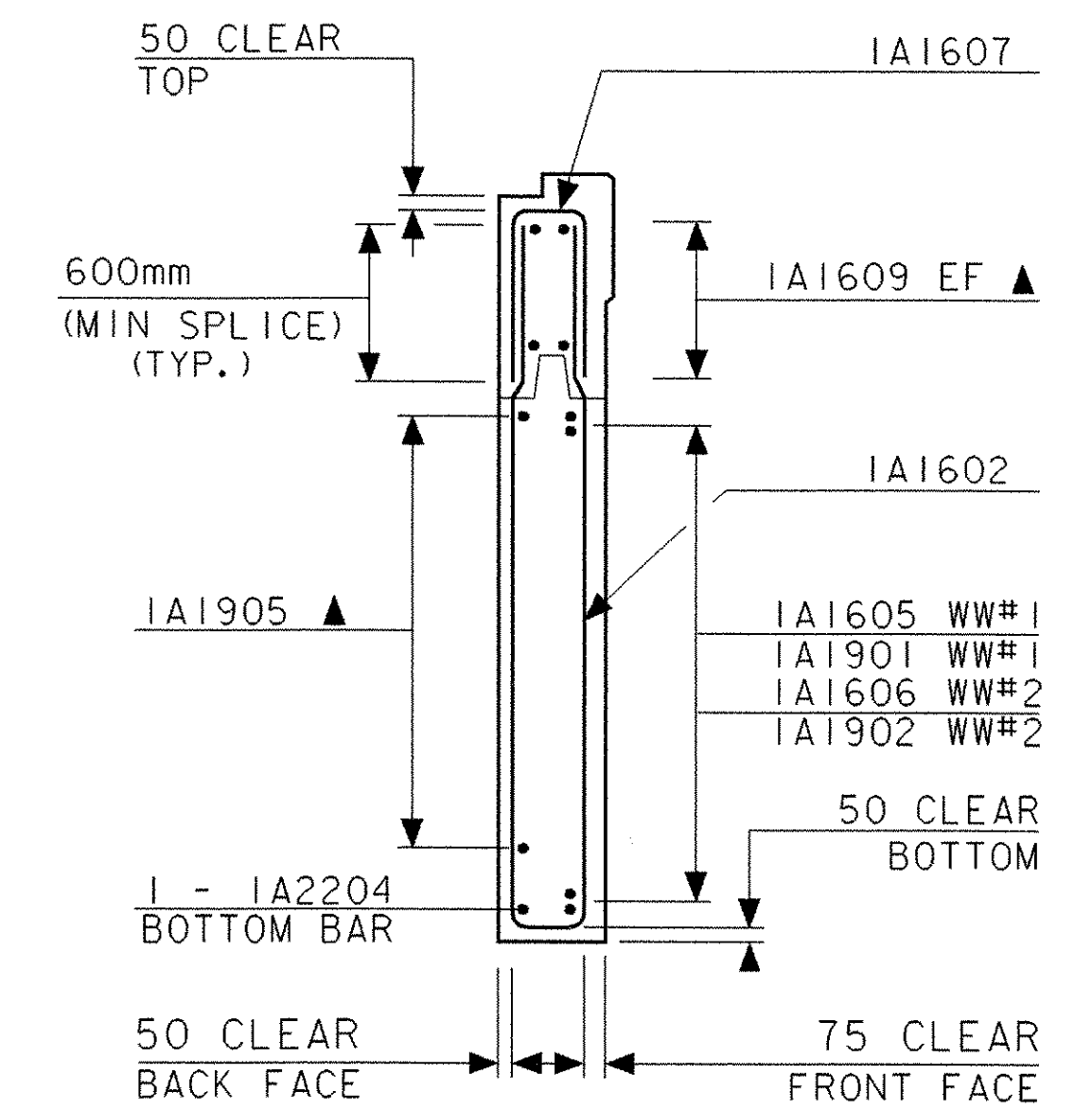


25

REINFORCING DETAILS ABUTMENT#1

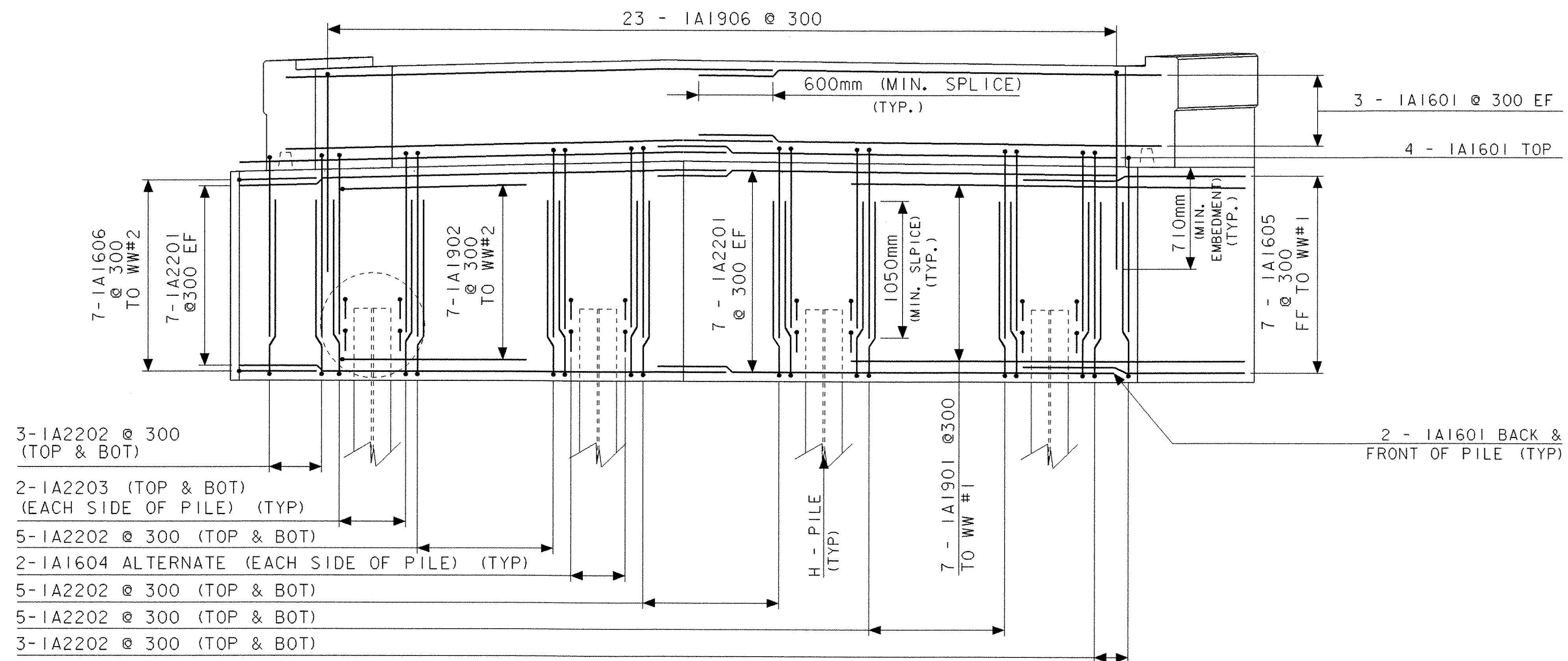
SCALE 1:250



27

TYPICAL 1&2 WINGWALL REINFORCING PLACEMENT

NTS



26

ELEVATION VIEW REINFORCING STEEL ABUTMENT #1

SCALE 1:250

NF - NEAR FACE
 FF - FAR FACE
 EF - EACH FACE

ABUTMENT #1 REINFORCING DETAILS

PROJECT NAME:	CHARLESTON	PLOT DATE:	13-APR-2006
PROJECT NUMBER:	BRO 1449 (22)	DRAWN BY:	G. ROKES
FILE NAME:	93J051/STR/sj05lab+1.dgn	CHECKED BY:	S. SCRIBNER
PROJECT MANAGER:	M. EVANS-MONGEON	SHEET	37 OF 50
DESIGNED BY:	G. COLGROVE		
IPARM:	sj05labrbl		