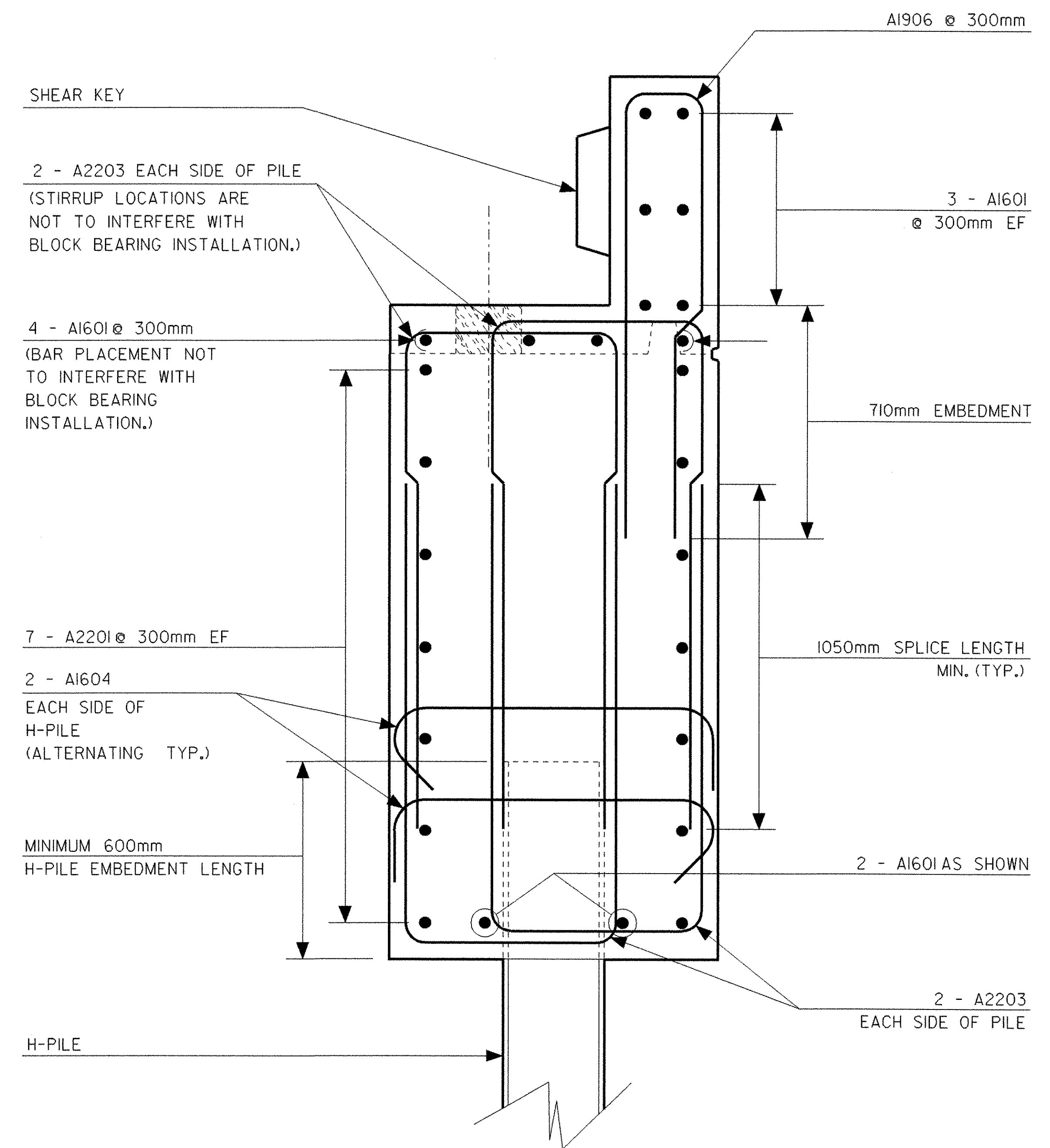


23 ABUTMENT TYPICAL REINFORCING DETAILS
SCALE 1:100



24 ABUTMENT TYPICAL REINFORCING DETAILS WITH PILES
SCALE 1:100

NF - NEAR FACE
FF - FAR FACE
EF - EACH FACE

ABUTMENT 1 & 2 TYPICAL REINFORCING DETAILS

PROJECT NAME: Charleston	PLOT DATE: 13-APR-2006
PROJECT NUMBER: BRO 1449 (22)	DRAWN BY: G. ROKES
FILE NAME: 93J051/STR/sj05labt.dgn	CHECKED BY: S. SCRIBNER
PROJECT MANAGER: M. EVANS-MONGEON	SHEET 36 OF 50
DESIGNED BY: G. COLGROVE	
IPARM: sj05labtyp.l	