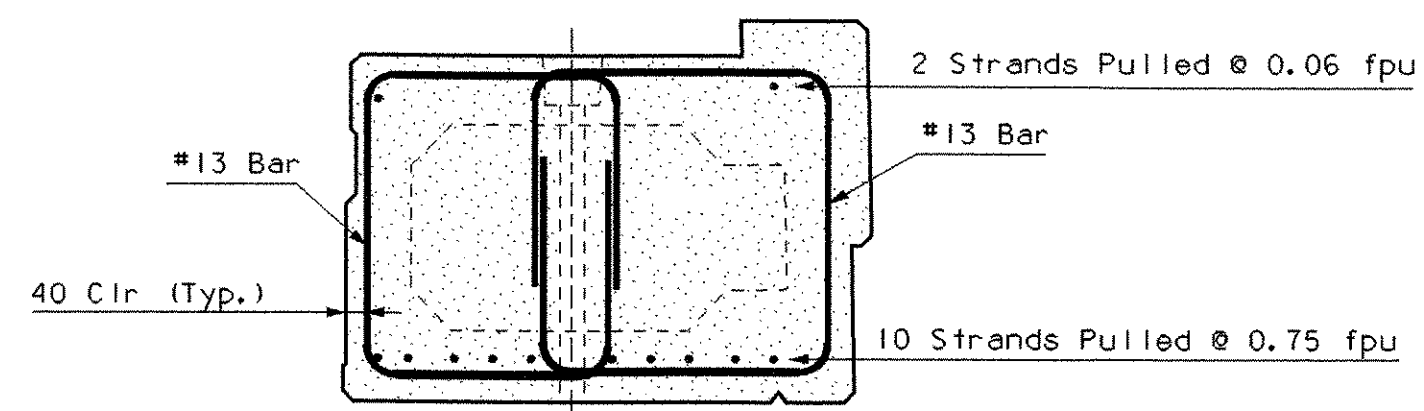


**14**

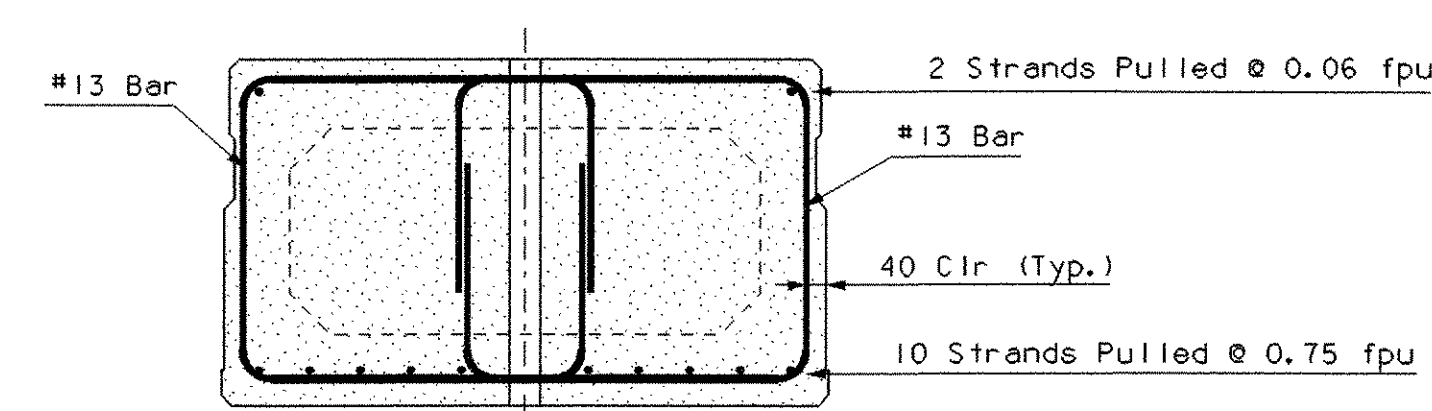
**TYPICAL BEAM ELEVATION**

1:30



**Beams 1 and 6 Pre-Tensioned Anchorage Zone**

**15a**



**Beams 2 thru 5 Pre-Tensioned Anchorage Zone**

**15b**

**15**

**PRE-TENSIONED ANCHORAGE ZONE / STRAND LAYOUT**

1:15

**PRESTRESSED BOX BEAM ELEVATION AND STRAND LAYOUT**

PROJECT NAME: Charleston	PLOT DATE: 13-APR-2006
PROJECT NUMBER: BRO 1449 (22)	DRAWN BY: G. Colgrove
FILE NAME: 93J051/STR/sj05lps1.dgn	CHECKED BY: S. Scibner
PROJECT MANAGER: M. Evans-Mongeon	SHEET 32 OF 50
DESIGNED BY: George Colgrove	
IPARM:sj05lps1	