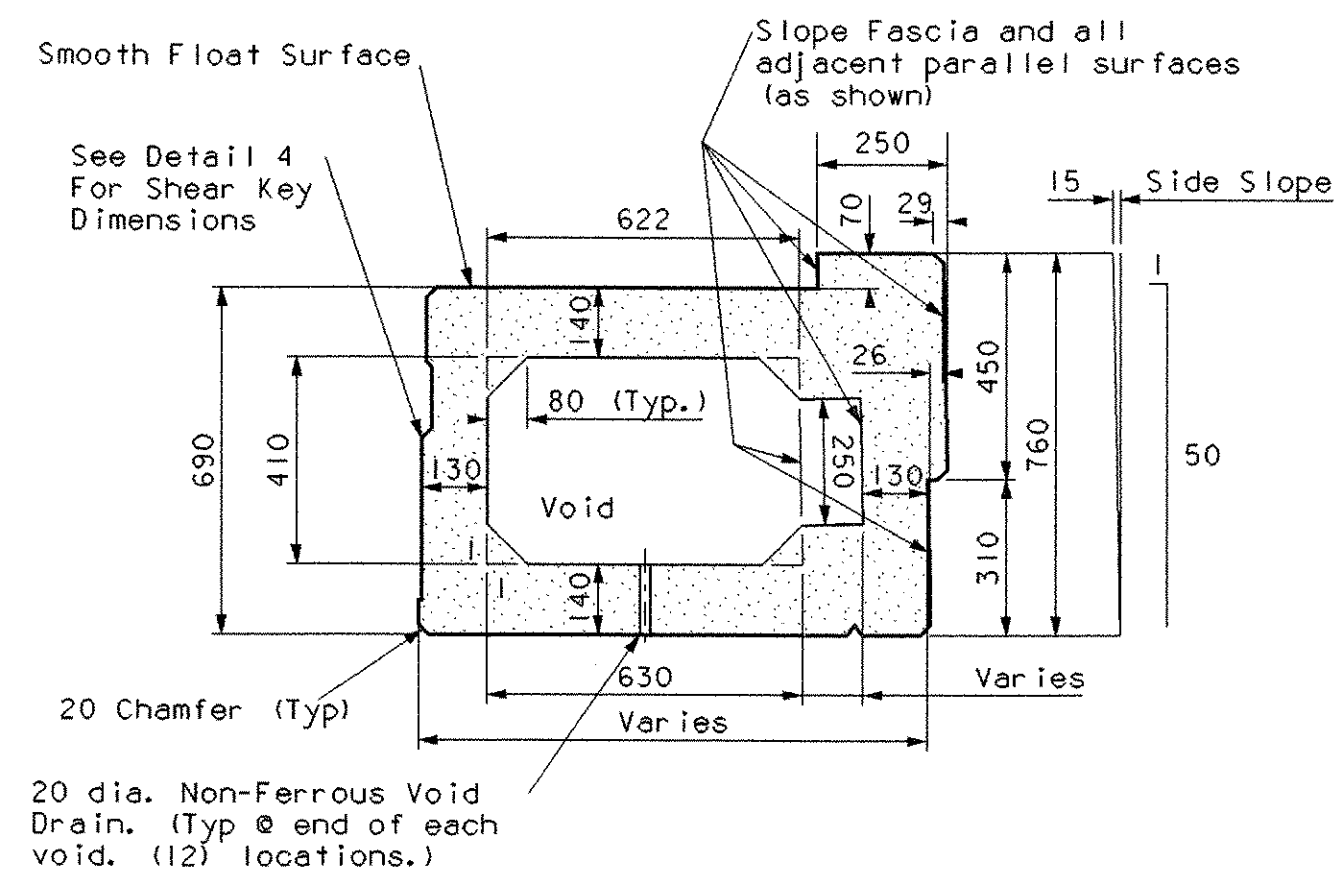
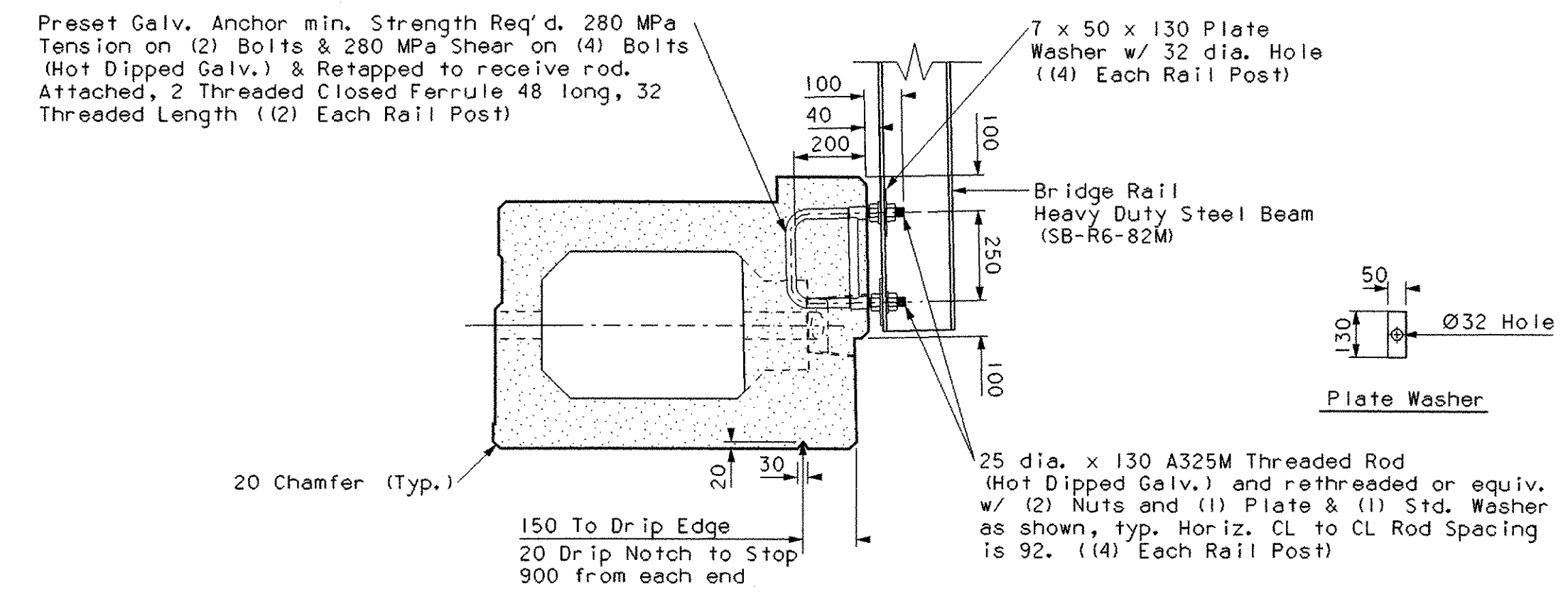


11a Reinforcing Details



11b Dimensional Details

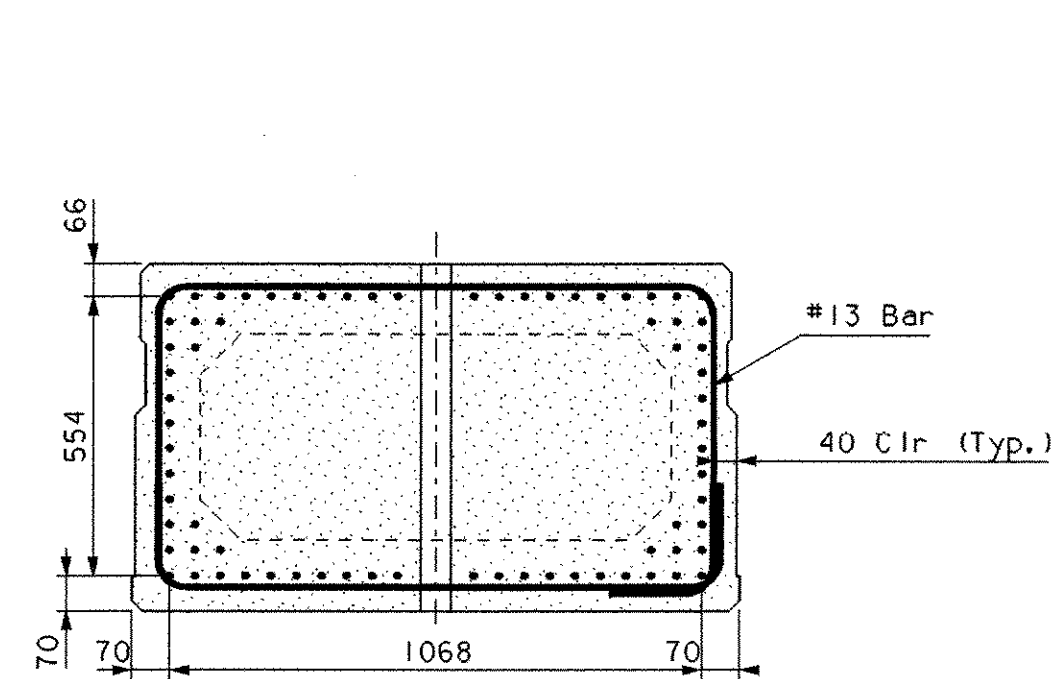


11c Fascia Dimensional Detail

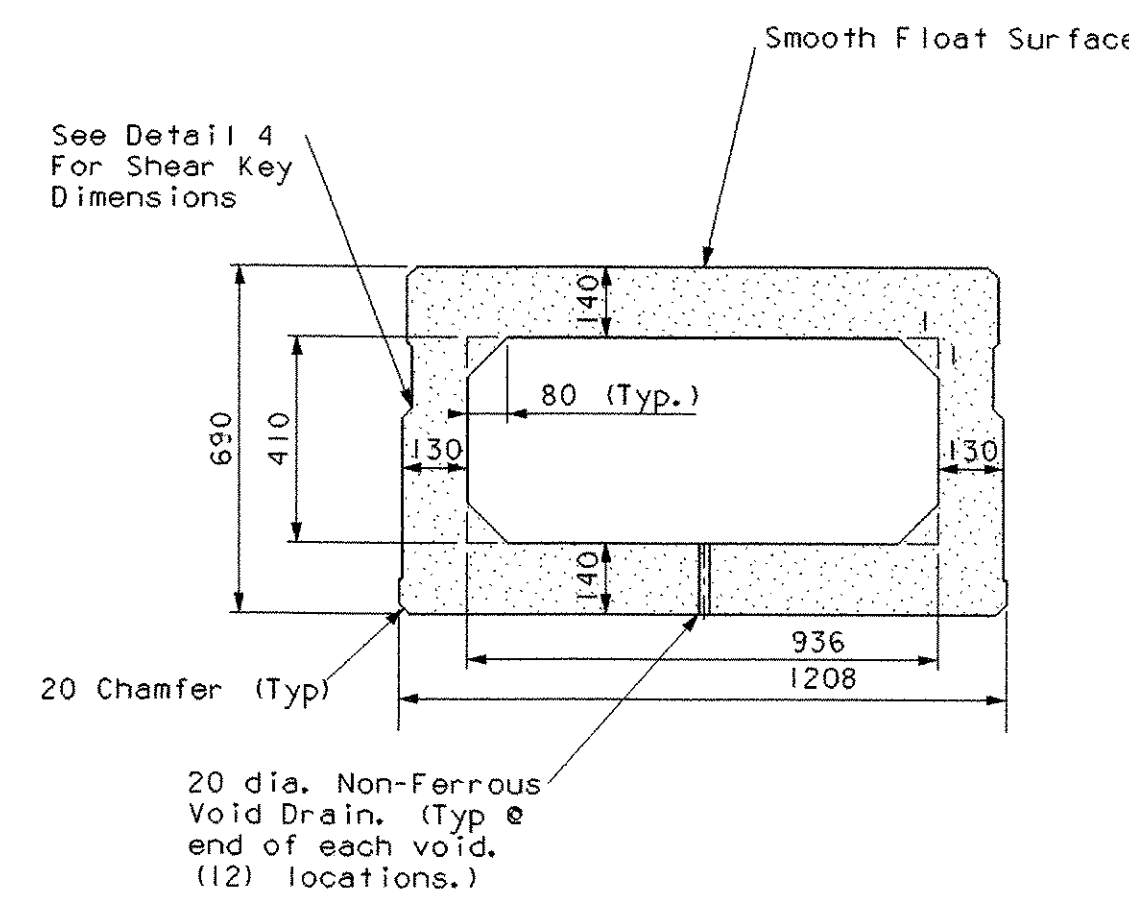
FASCIA BEAM SECTIONS

1:15

11



12a Reinforcing Details

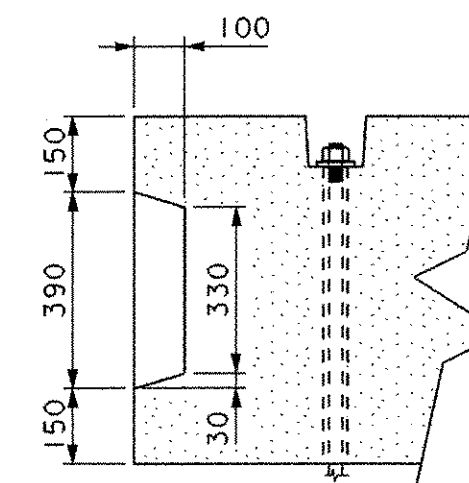


12b Dimensional Details

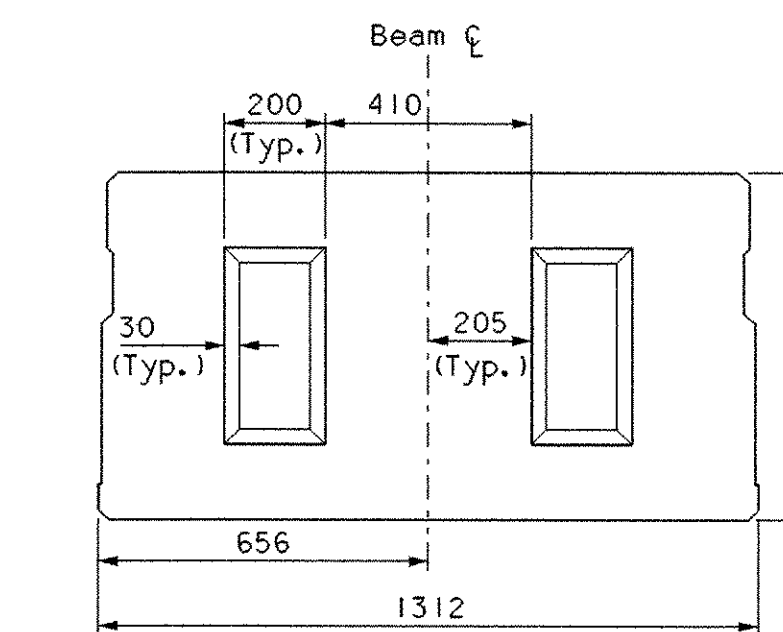
INTERIOR BEAM SECTIONS

1:15

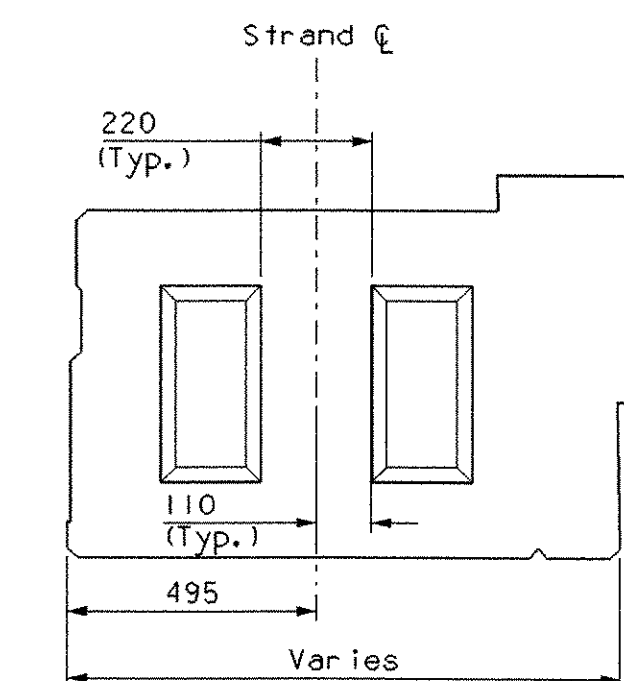
12



13a Side View



13b Beams 2 Thru 5 Skewed End View



13c Beams 1 and 6 Skewed End View

13

END SHEAR KEY TO PREVENT HORIZONTAL MOVEMENT

1:15

PRESTRESSED BOX BEAM SECTION DETAILS

PROJECT NAME:	Charleston
PROJECT NUMBER:	BRO 1449 (22)
FILE NAME:	93J051/STR./sJ051ps.dgn
PROJECT MANAGER:	A. Portolupi
DESIGNED BY:	George Colgrove
IPARM:	sJ051ps4.i
PLOT DATE:	13-APR-2006
DRAWN BY:	G. Colgrove
CHECKED BY:	S. Srobnier
SHEET	31 OF 50