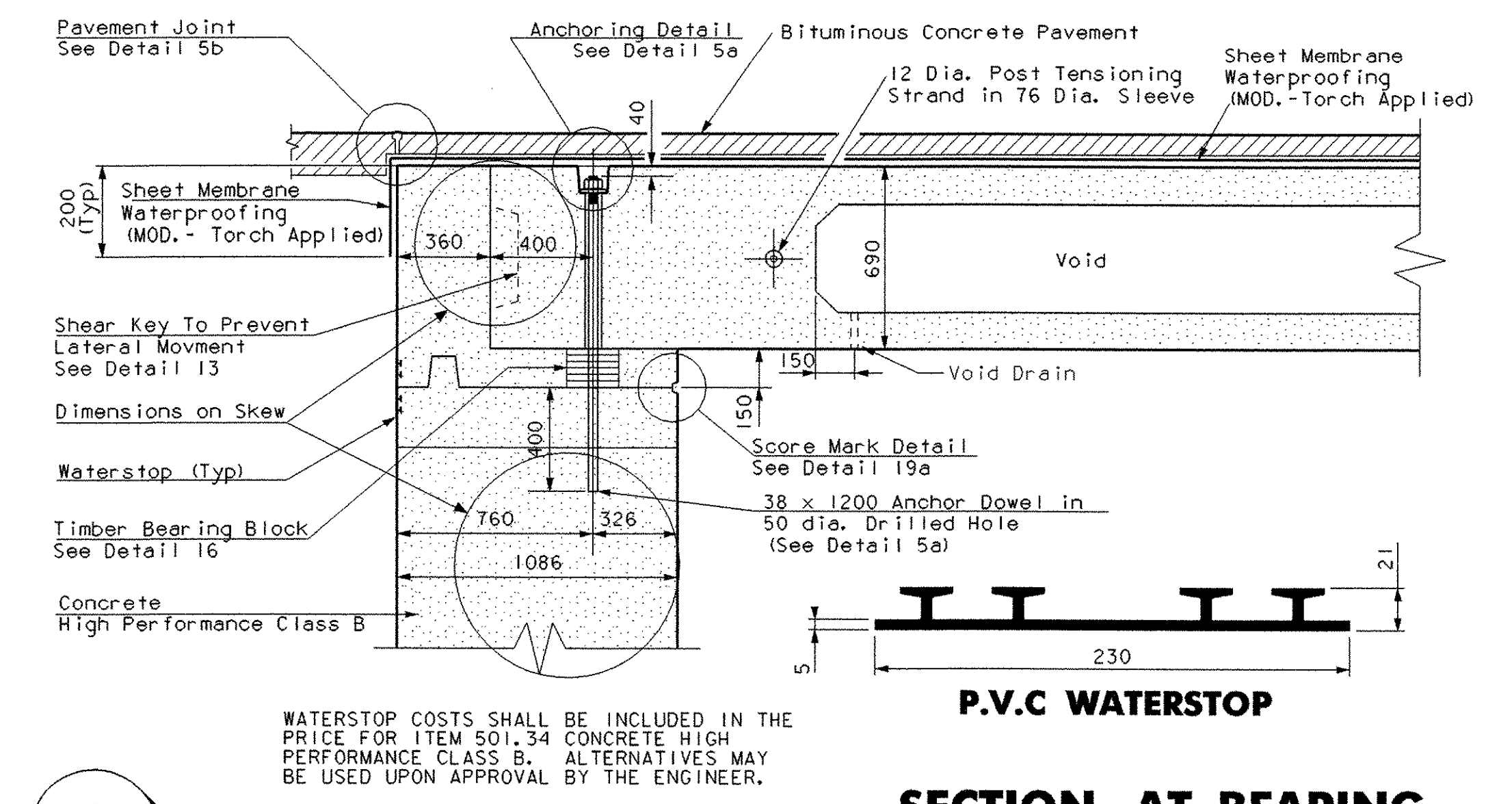
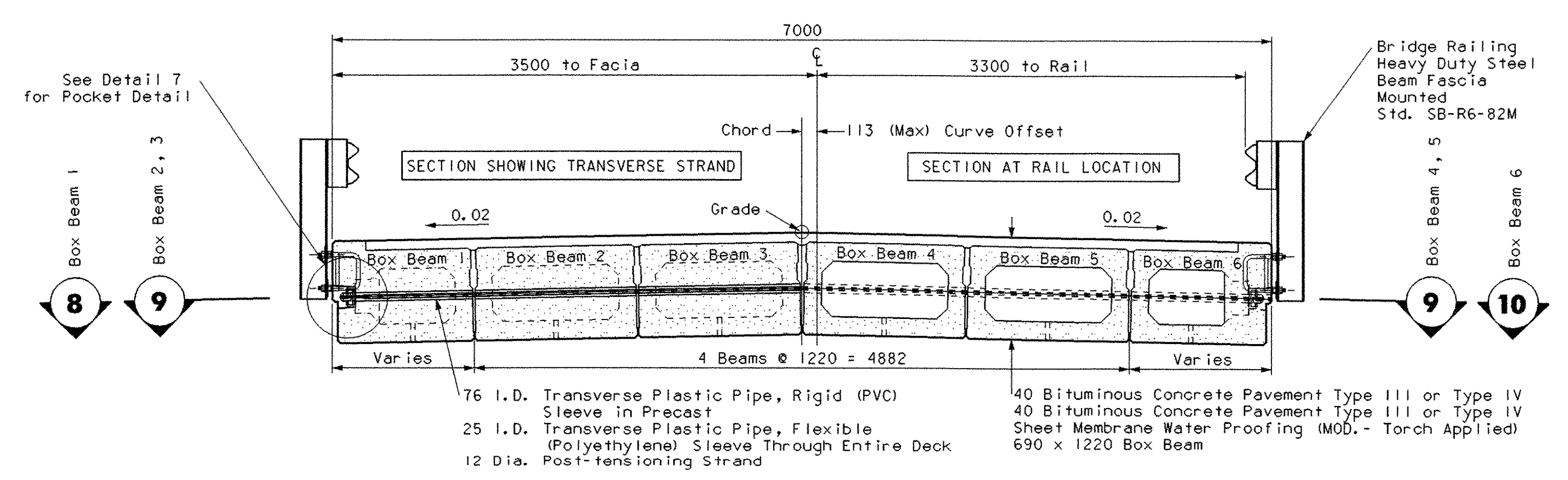


BOX BEAM FRAMING PLAN
1:60

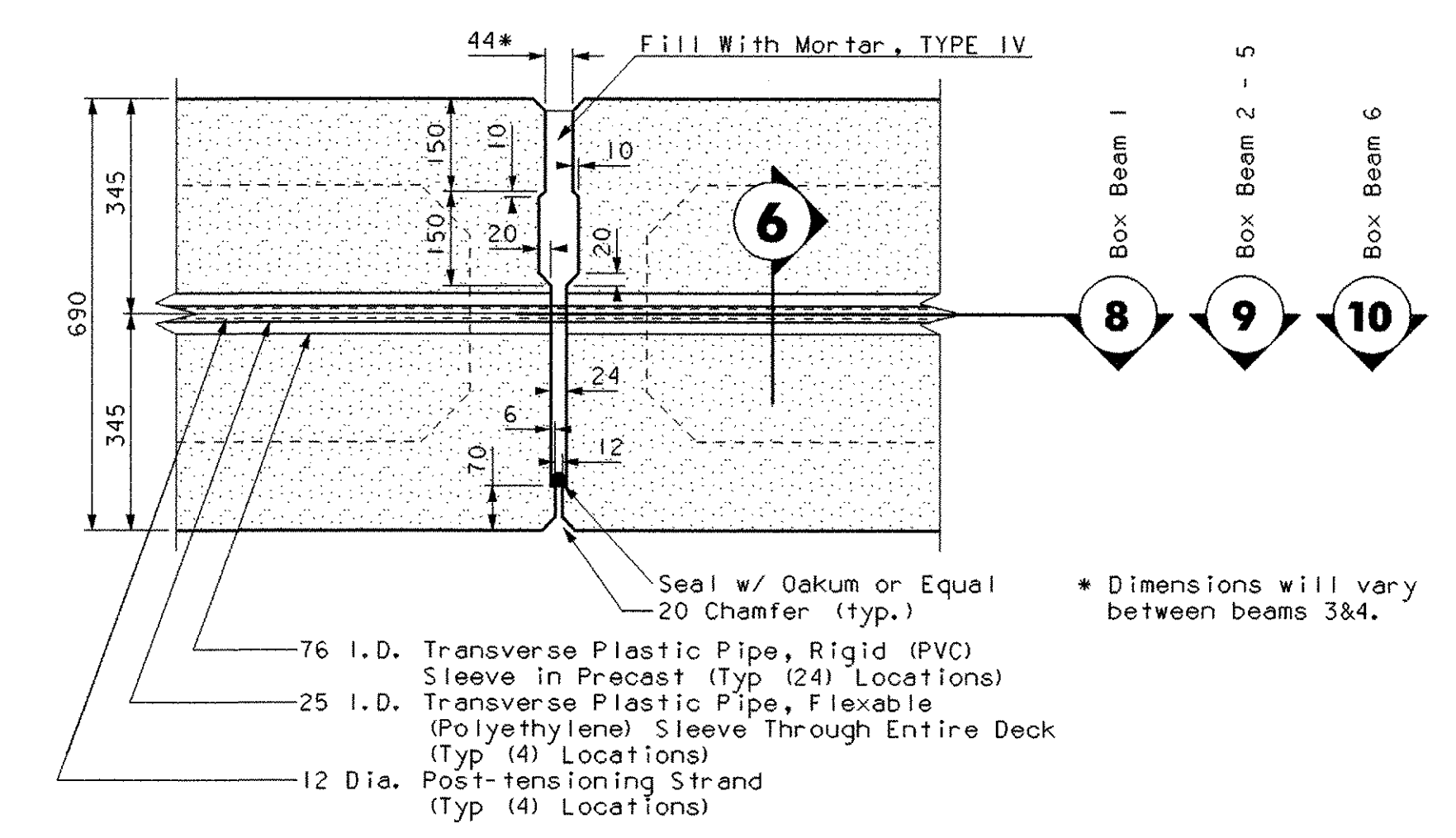


WATERSTOP COSTS SHALL BE INCLUDED IN THE PRICE FOR ITEM 501.34 CONCRETE HIGH PERFORMANCE CLASS B. ALTERNATIVES MAY BE USED UPON APPROVAL BY THE ENGINEER.

P.V.C WATERSTOP
SECTION AT BEARING
1:20



TYPICAL TRANSVERSE SECTION
1:30



SHEAR KEY SECTION
1:10

SUPERSTRUCTURE DETAILS

PROJECT NAME:	Charleston
PROJECT NUMBER:	BR0 1449 (22)
FILE NAME:	93J051/STR/sj051psl.dgn
PROJECT MANAGER:	M. Evans-Mongeon
DESIGNED BY:	George Colgrove
IPARM:	sj051psl.l
PLOT DATE:	13-APR-2006
DRAWN BY:	G. Colgrove
CHECKED BY:	S. Scribner
SHEET	28 OF 50