

EROSION PROTECTION FOR DITCHES

APPLICATION NOTES:

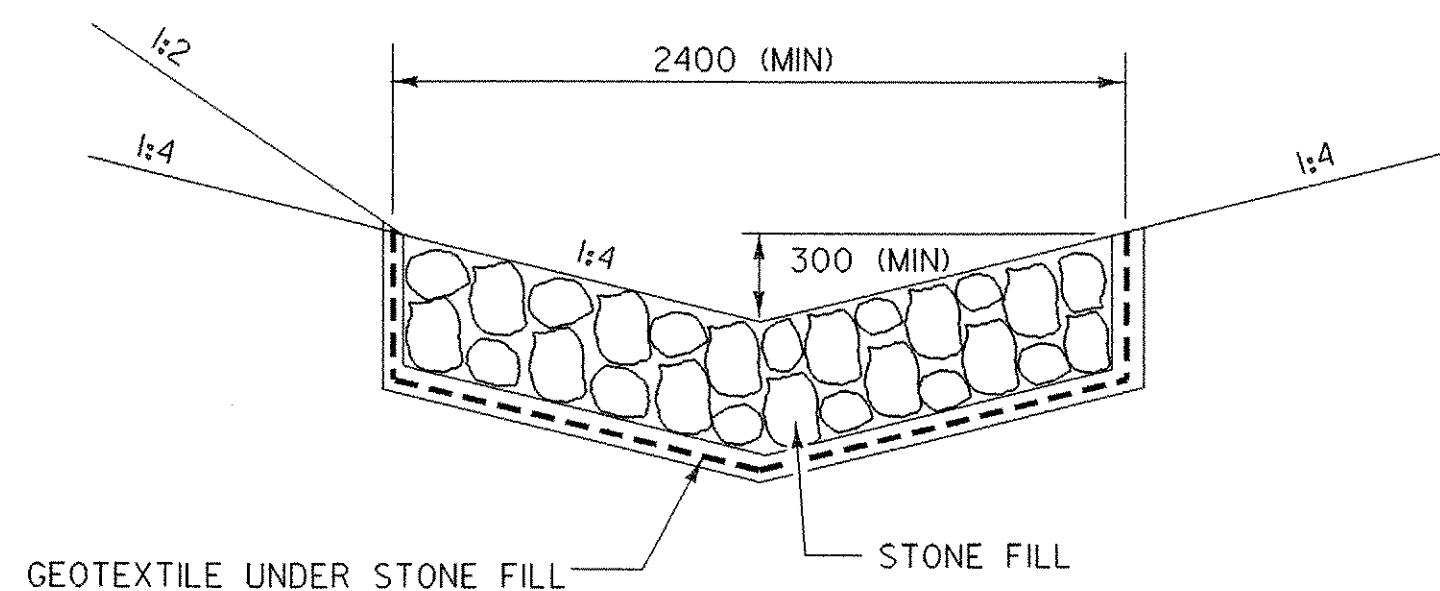
- A. THE PURPOSE OF LINING THE DITCH WITH EROSION MATTING IS TO REDUCE EROSION AND AID THE ESTABLISHMENT OF VEGETATION AT LOW VELOCITIES.
- B. THE FOLLOWING CHARTS SHALL BE USED TO DETERMINE THE APPROPRIATE EROSION CONTROL MEASURE:

DITCH AND CHANNEL PROTECTION	
SLOPE	LINING
< 1%	GRASS
1% TO 4%	EROSION MATTING
4% TO 10%	STONE FILL, TYPE I
> 10%	STONE FILL, TYPE II

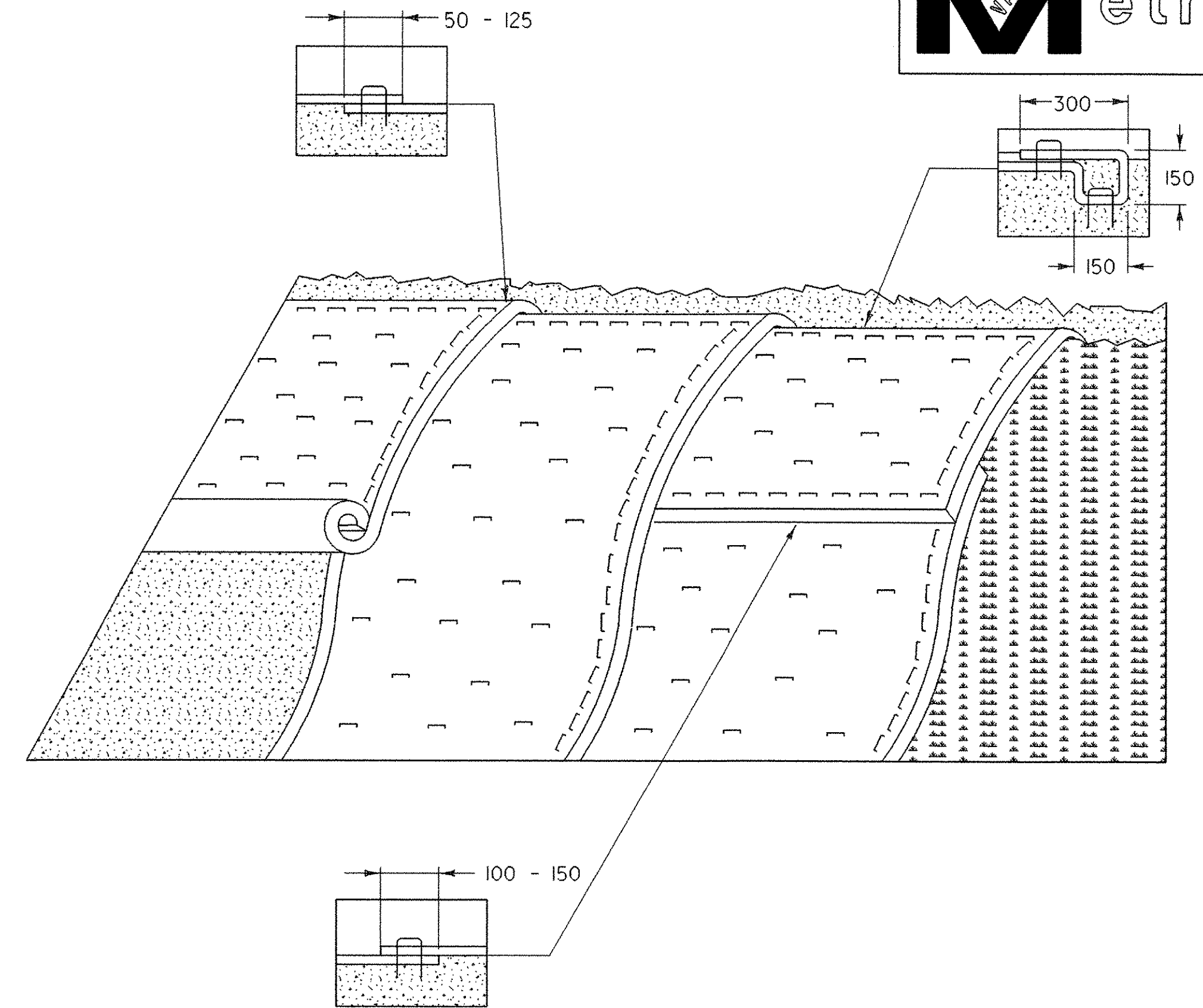
STONE FILL THICKNESS	
STONE FILL TYPE	THICKNESS
TYPE I	0.3 m
TYPE II	0.6 m

GENERAL NOTES:

- WATER MAY NEED TO BE DIVERTED TO ALLOW PROPER MATTING INSTALLATION.
- GRADE AND SMOOTH CHANNEL TO PROVIDE GOOD MATTING TO SOIL SURFACE CONTACT.
- APPLY FERTILIZER, LIME, AND SEED PRIOR TO PLACING MATTING.
- INSTALL MATTING IN THE CENTER OF THE CHANNEL, IN THE DIRECTION OF THE WATER FLOW.
- INSTALL MATTING ON THE SIDE SLOPES OF THE CHANNEL, OVERLAPPING THE CENTER MAT.
- ANCHOR MATTING AS SHOWN, UTILIZING ANCHOR STAPLES. STAPLE PLACEMENT SHALL BE DETERMINED BY THE MANUFACTURER'S INSTALLATION INSTRUCTIONS.
- MEASURES SHALL BE INSPECTED EVERY SEVEN (7) CALENDAR DAYS AND WITHIN 24 HOURS OF A STORM EVENT GREAT ENOUGH TO CAUSE WATER TO LEAVE THE CONSTRUCTION SITE.
- MEASURES SHALL BE REPAIRED AND RESTAPLED AS NECESSARY TO ENSURE PROPER FUNCTION.
- PAYMENT FOR INSTALLATION OF MATTING SHALL BE MADE UNDER THE EROSION CONTROL WITH MATTING ITEM.
- PAYMENT FOR MONITORING EROSION CONTROL MATTING SHALL BE MADE UNDER THE MONITORING EROSION & SEDIMENT CONTROL PLAN ITEM.
- PAYMENT FOR MAINTAINING EROSION CONTROL MATTING SHALL BE MADE UNDER THE FIELD MAINTENANCE OF EROSION & SEDIMENT CONTROL PLAN ITEM, UNLESS MAINTENANCE IS REQUIRED DUE TO POOR INSTALLATION PRACTICES.



TEMPORARY STONE LINED DITCH



EROSION PREVENTION FOR SIDE SLOPES

APPLICATION NOTES:

- A. THE PURPOSE OF MATTING ON SIDE SLOPES IS TO REDUCE EROSION AND AID THE ESTABLISHMENT OF VEGETATION
- B. EROSION CONTROL MATTING SHALL BE USED FOR THE FOLLOWING REASONS:
- SIDE SLOPES > 3:1 (H:V)
 - AREAS WHERE SEED AND MULCH WILL NOT STAY IN PLACE ALONE
 - WHERE SEEDING IS OUTSIDE THE GROWING SEASON.

GENERAL NOTES:

- GRADE AND SMOOTH THE SLOPE TO PROVIDE GOOD MATTING TO SOIL SURFACE CONTACT.
- APPLY FERTILIZER, LIME, AND SEED PRIOR TO PLACING MATTING.
- ANCHOR MATTING AS SHOWN, UTILIZING ANCHOR STAPLES. STAPLE PLACEMENT SHALL BE DETERMINED BY THE MANUFACTURER'S INSTALLATION INSTRUCTIONS.
- UNROLL MATTING VERTICALLY DOWN SLOPE IN THE DIRECTION OF WATER FLOW.
- OVERLAP UPPER MATTING OVER LOWER MATTING AS SHOWN.
- OVERLAP ADJACENT MATTING AS SHOWN.
- CUT EXCESS MATTING AT END OF SLOPE AND ANCHOR THE END.
- MEASURES SHALL BE INSPECTED EVERY SEVEN (7) CALENDAR DAYS AND WITHIN 24 HOURS OF A STORM EVENT GREAT ENOUGH TO CAUSE WATER TO LEAVE THE CONSTRUCTION SITE.
- MATTING SHALL BE REPAIRED AND RESTAPLED AS NECESSARY TO ENSURE PROPER FUNCTION.
- PAYMENT FOR INSTALLATION OF MATTING SHALL BE MADE UNDER THE EROSION CONTROL WITH MATTING ITEM.
- PAYMENT FOR MONITORING EROSION CONTROL MATTING SHALL BE MADE UNDER THE MONITORING EROSION & SEDIMENT CONTROL PLAN ITEM.
- PAYMENT FOR MAINTAINING EROSION CONTROL MATTING SHALL BE MADE UNDER THE FIELD MAINTENANCE OF EROSION & SEDIMENT CONTROL PLAN ITEM, UNLESS MAINTENANCE IS REQUIRED DUE TO POOR INSTALLATION PRACTICES.

NOTE: ALL DIMENSIONS ARE IN MILLIMETERS (mm) EXCEPT WHERE NOTED.

EROSION PREVENTION & SEDIMENT CONTROL DETAILS DITCH & SIDE SLOPE PROTECTION

PROJECT NAME: CHARLESTON
PROJECT NUMBER: BRO 1449 (22)

FILE NAME: Str\ 93j051\sj051erobdr.dgn PLOT DATE: 13-APR-2006
PROJECT MANAGER: M. EVANS-MONGEON DRAWN BY:
DESIGNED BY: CHECKED BY: K. VIANI
IPARM sj051erodet2.1 SHEET 21 OF 50