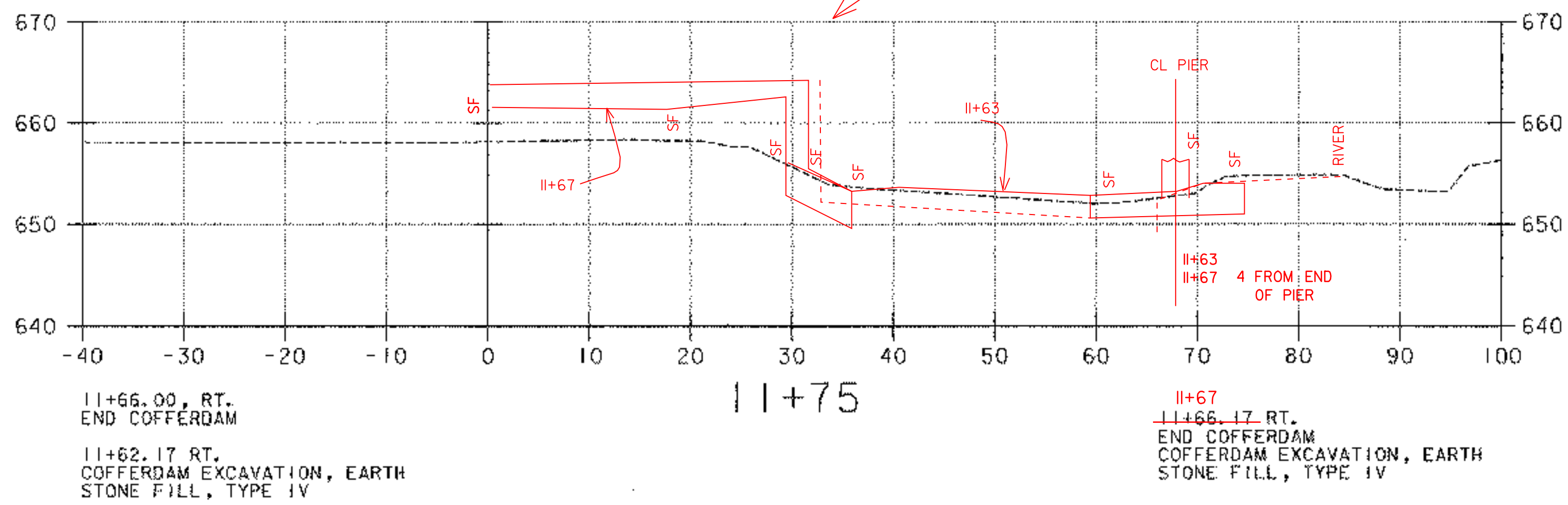


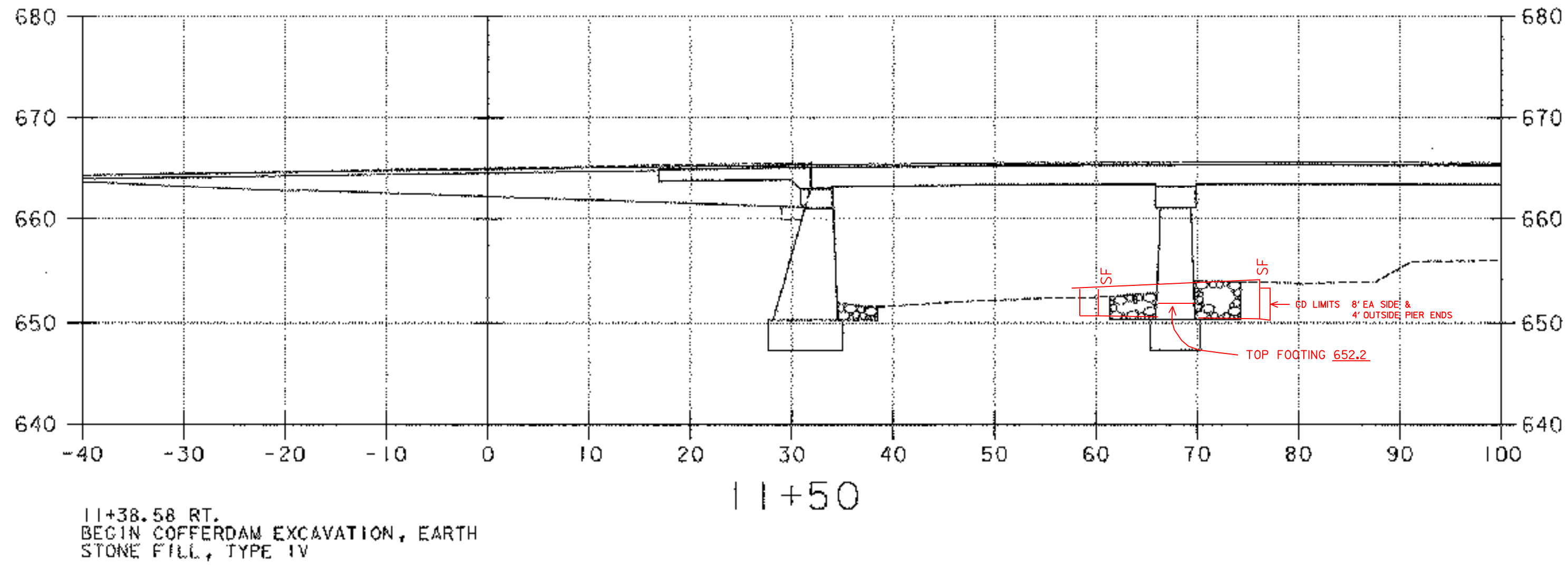
03/07/05 D. LUND



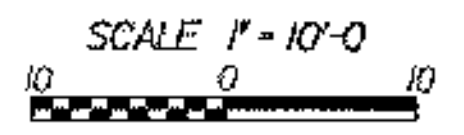
II+67 RT  
SF IV= 28'  
CD EX= 23'

PIER II+67 END SF IV  
SF IV= 46'  
CD EX= 33

PIER  
II+63  
SF IV= 46'  
CD EX= 33



SF= 50'  
CD EX= 34



11+66.00, RT.  
END COFFERDAM

11+62.17 RT.  
COFFERDAM EXCAVATION, EARTH  
STONE FILL, TYPE IV

II+67  
11+66.17 RT.  
END COFFERDAM  
COFFERDAM EXCAVATION, EARTH  
STONE FILL, TYPE IV

11+38.58 RT.  
BEGIN COFFERDAM EXCAVATION, EARTH  
STONE FILL, TYPE IV

	PROJECT NAME: CORINTH	PLOT DATE: 05/07/2003
	PROJECT NUMBER: TH2-9352	DRAWN BY: SEB
	FILE NAME: ...Cor-xs.dgn	CHECKED BY: MJC
	DESIGNED BY: SEB	SHEET 28 OF 28
<b>CHANNEL CROSS SECTIONS</b>		