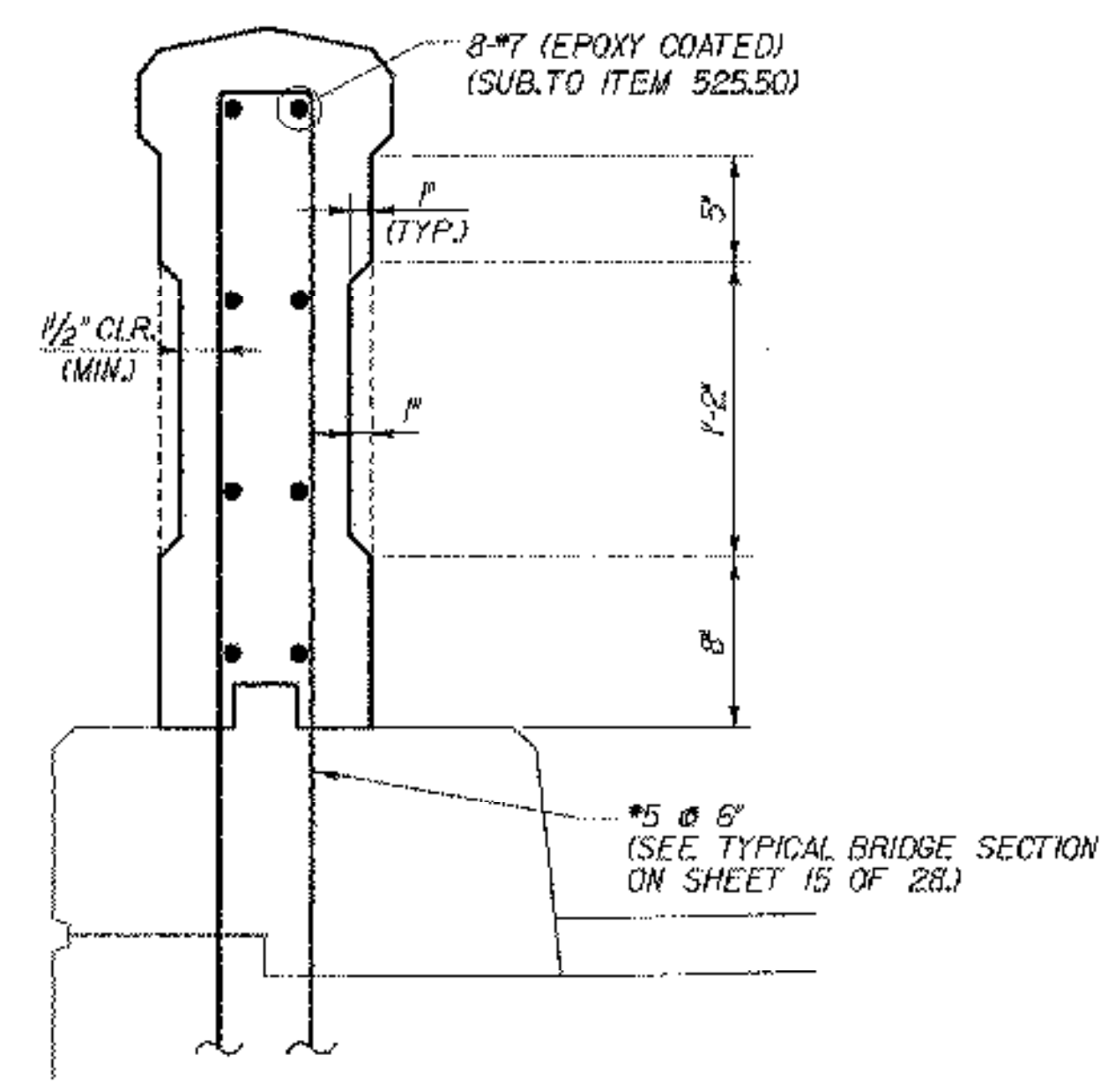


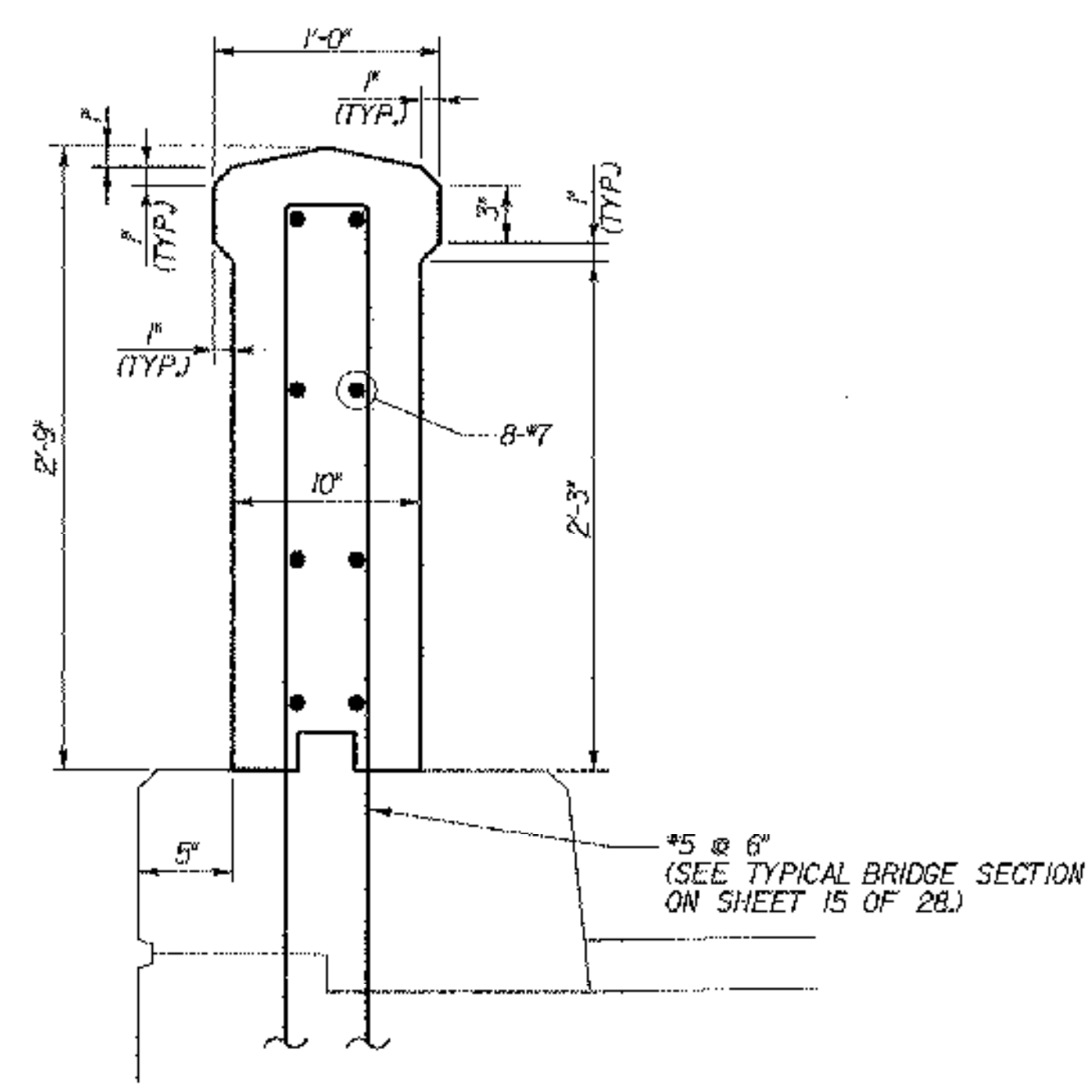
CAST-IN-PLACE CONCRETE BRIDGE RAIL ELEVATION

SCALE 3/8" = 1'-0"
 1 0 1 2 3 4



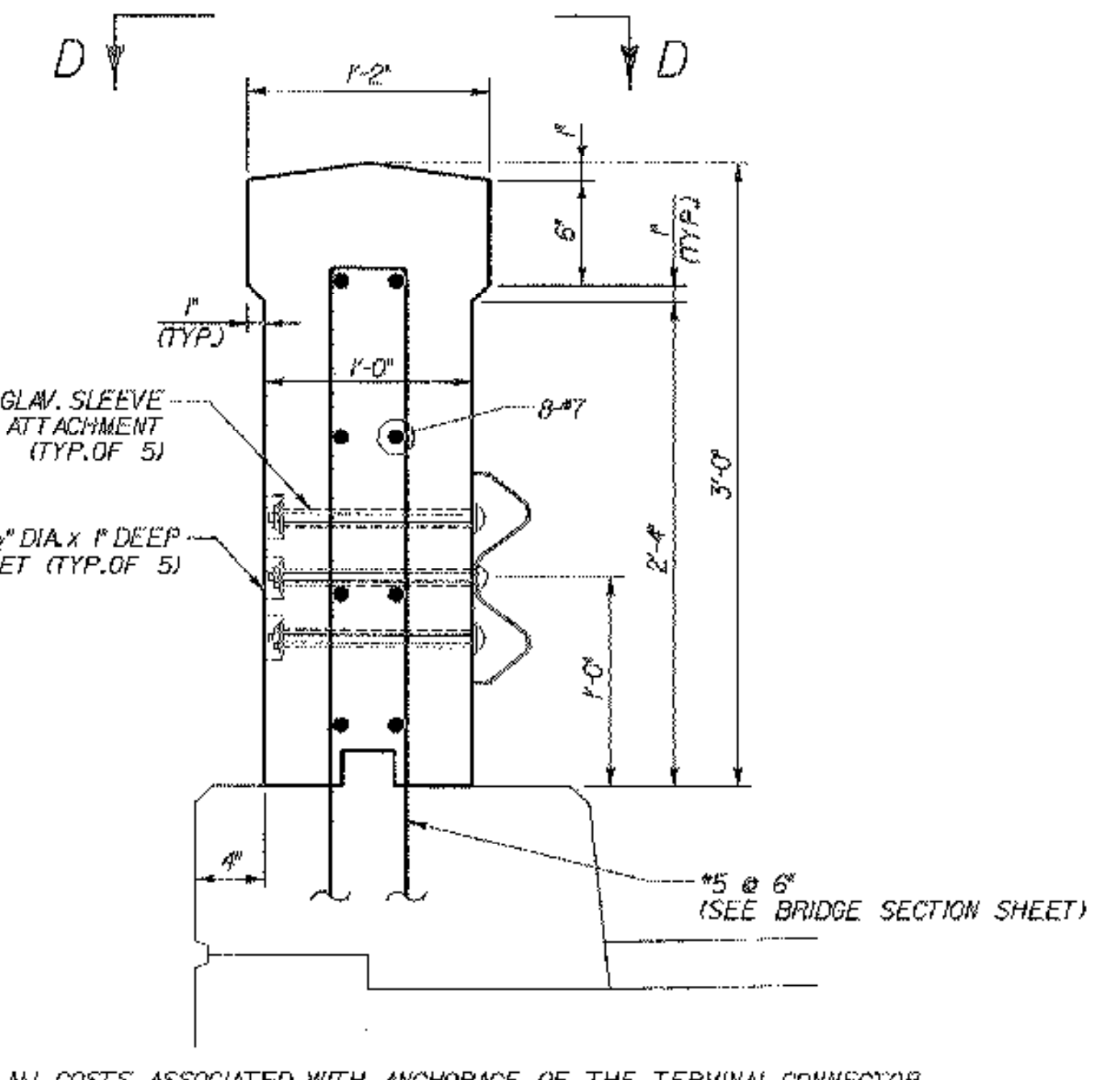
SECTION A-A

SCALE 1 1/2" = 1'-0"
 1 9 6 3 0
 NOTE: SEE SECTION B-B FOR DIMENSIONS NOT SHOWN



SECTION B-B

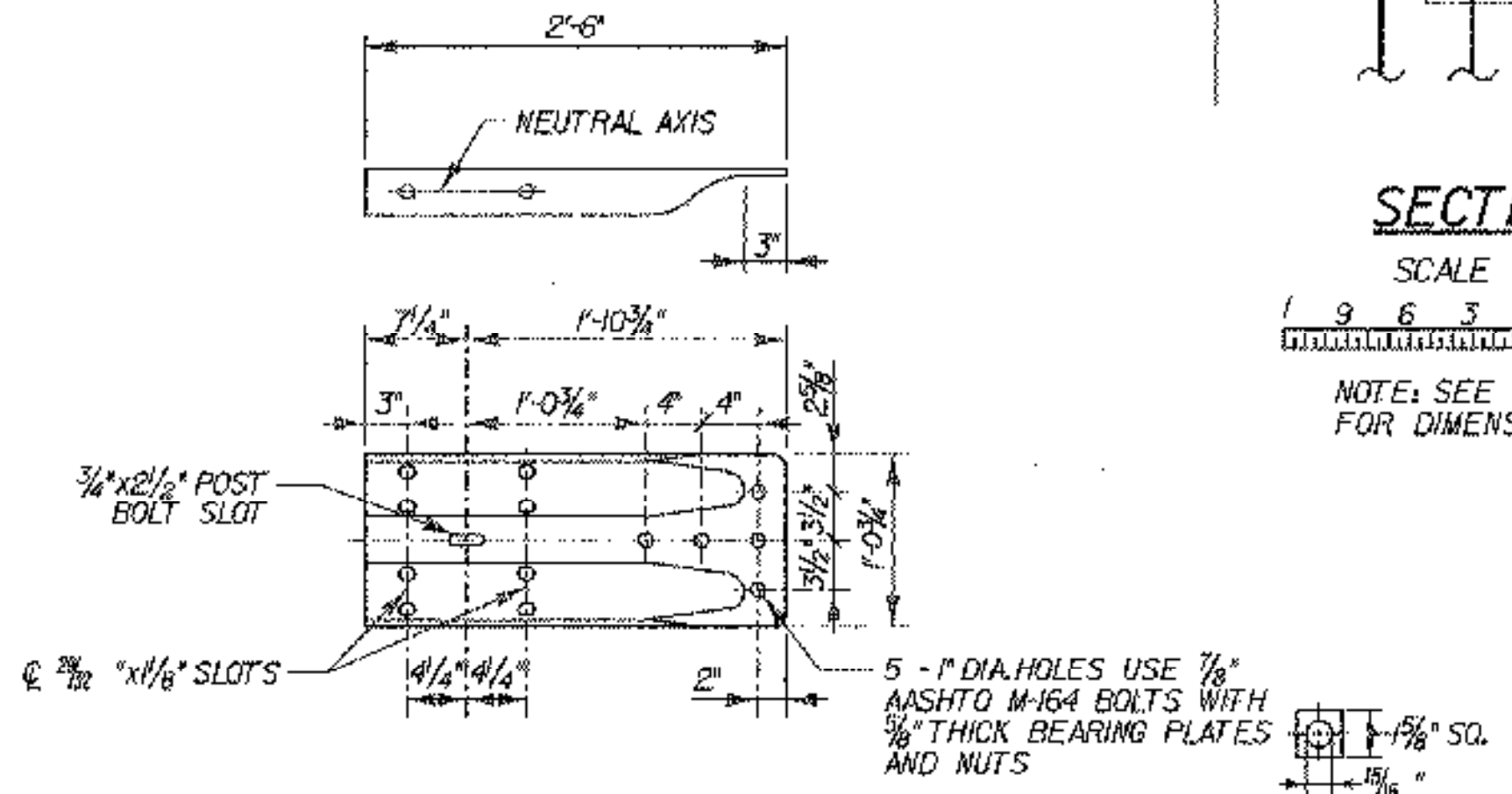
SCALE 1 1/2" = 1'-0"
 1 9 6 3 0



SECTION C-C

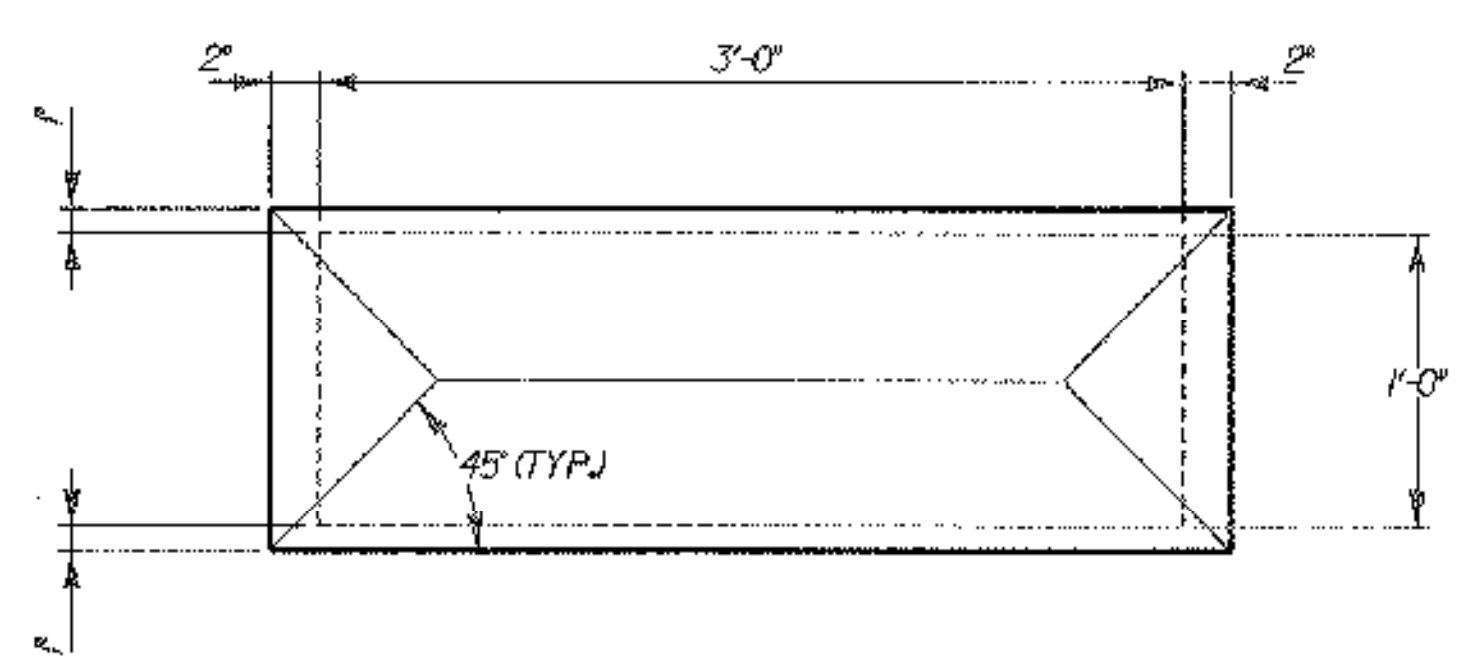
SCALE 1 1/2" = 1'-0"
 1 9 6 3 0

NOTE: ALL COSTS ASSOCIATED WITH ANCHORAGE OF THE TERMINAL CONNECTOR INCLUDING THE COST OF FURNISHING AND INSTALLING THE SLEEVES SHALL BE INCIDENTAL TO ITEM 621.53, "TERMINAL CONNECTOR FOR STEEL BEAM GUARD RAIL".



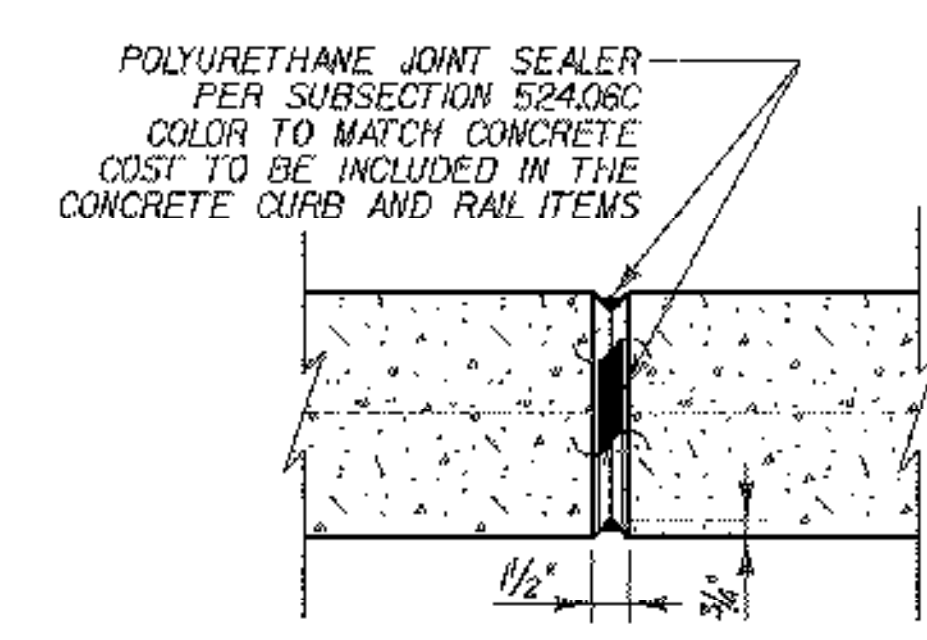
TERMINAL CONNECTOR DETAIL

SCALE 1" = 1'-0"
 1 9 6 3 0



SECTION D-D

SCALE 1 1/2" = 1'-0"
 1 9 6 3 0



DETAIL E

SCALE 1 1/2" = 1'-0"
 1 9 6 3 0

BUILT AS DESIGNED

STATE OF VERMONT AGENCY OF TRANSPORTATION			
Town Of	CORINTH	Bridge No.	10C
Highway No.	T.H. 1	Log Sta.	
		Surv. Sta.	
TOWN HIGHWAY NO. 1 OVER WAITS RIVER			
CONCRETE RAIL DETAILS			
Designed By	S. BURBANK	Drawn By	S. BURBANK
Checked By	Date	Bridge Design Supervisor	
M. CHENETTE	05/03	M. CHENETTE	Date 05/03
PROJECT	CORINTH	PROJECT NO.	TH2-9352
DH CAD Filename	...Cor-concret.dgn	Plot Date	05/07/2003
Bridge Sheet No.		Sheet	22 of 28

