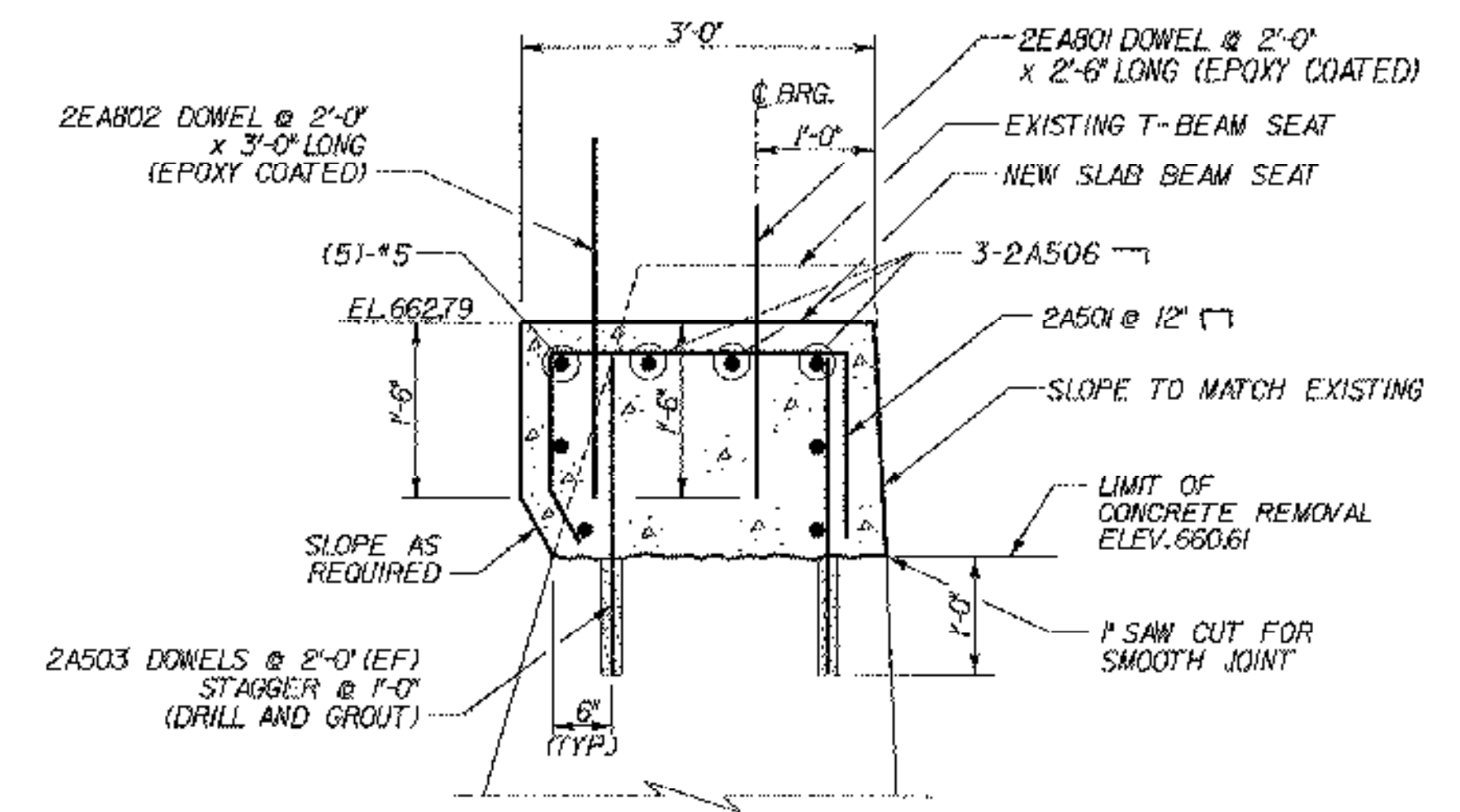
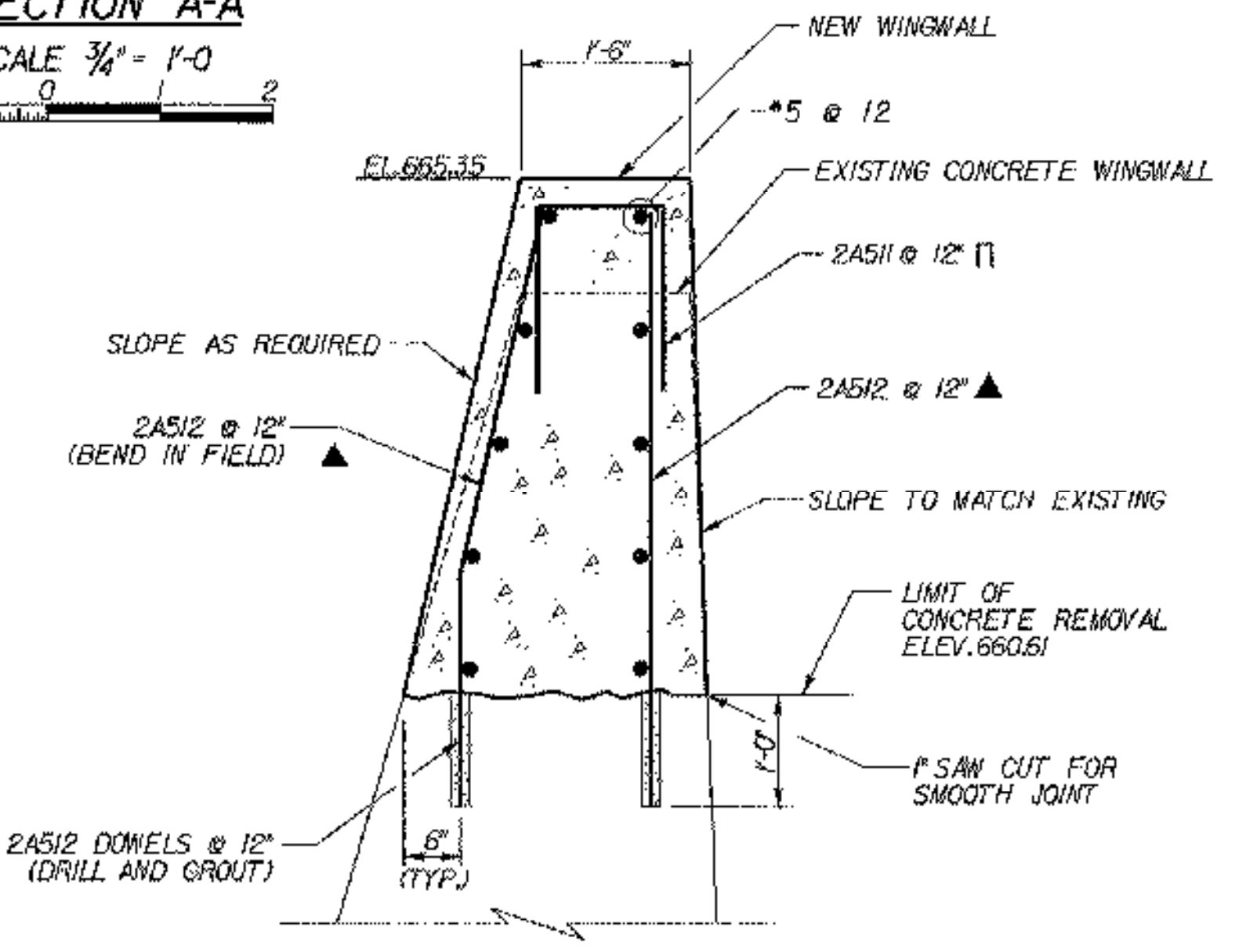


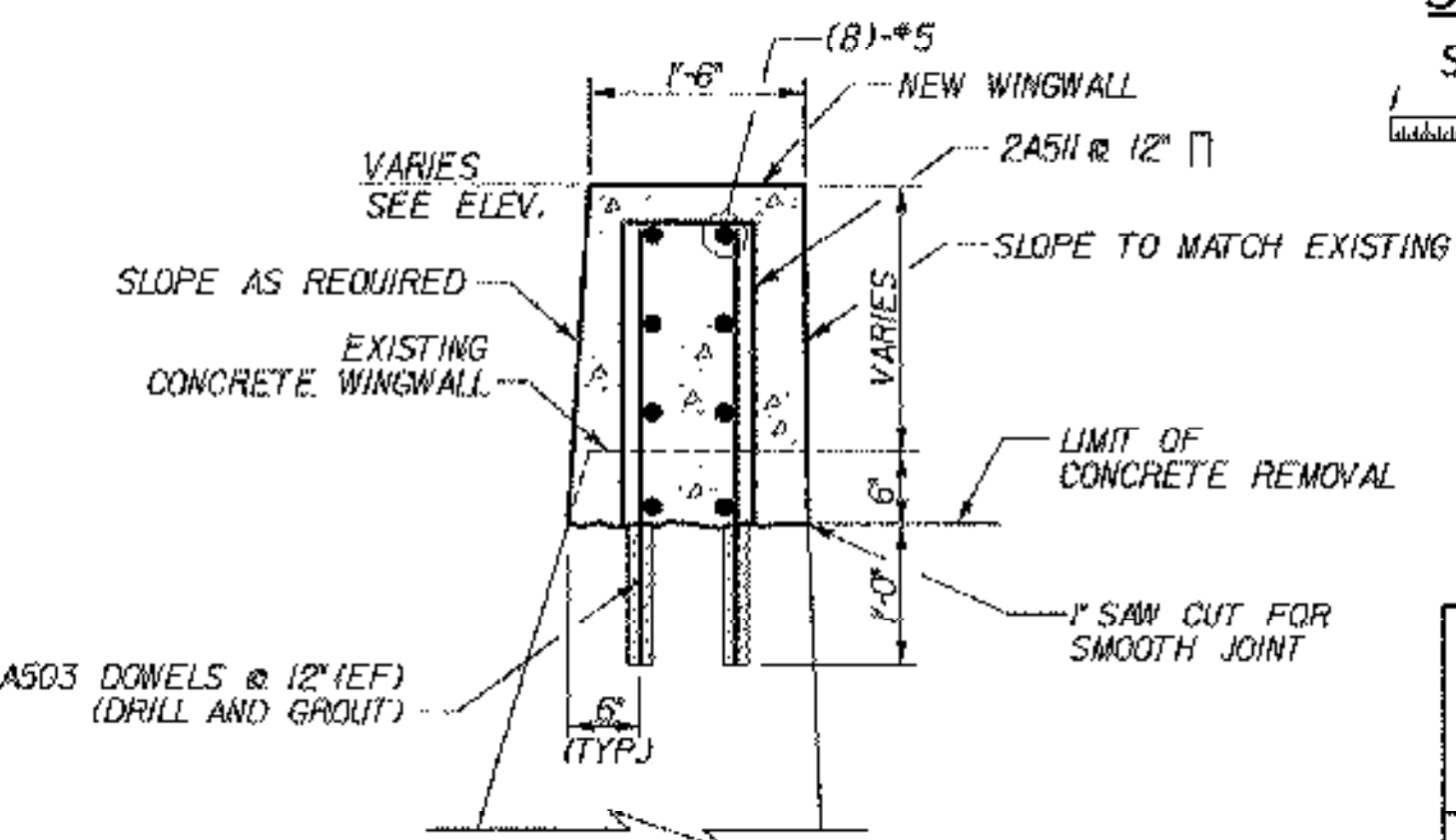
PLAN
SCALE 3/8" = 1'-0"
0 1 2 3 4



SECTION A-A
SCALE 3/4" = 1'-0"
0 1 2

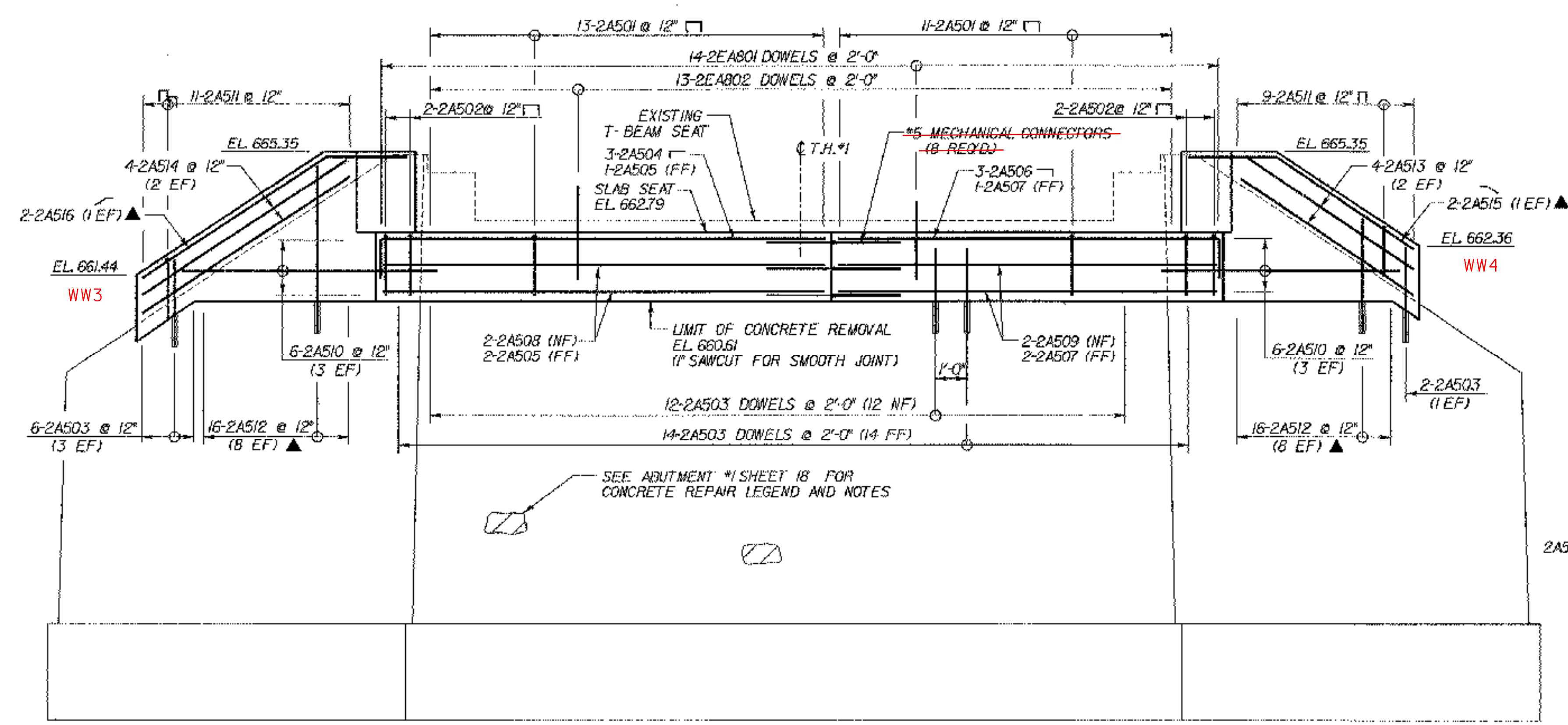


SECTION B-B
SCALE 3/4" = 1'-0"
0 1 2



SECTION C-C
SCALE 3/4" = 1'-0"
0 1 2

NOTE:
NF - NEAR FACE
FF - FAR FACE
EF - EACH FACE
▲ = CUT TO FIT IN FIELD
3" CLR. UNLESS OTHERWISE SPECIFIED ON THE PLANS.



ELEVATION
SCALE 3/8" = 1'-0"
0 1 2 3 4

STATE OF VERMONT AGENCY OF TRANSPORTATION	
Town Of CORINTH	Bridge No. 10C
Highway No. T.H. 1	Log Sta. _____ Surv. Sta. _____
TOWN HIGHWAY NO. 1 OVER WAITS RIVER	
ABUTMENT #2 DETAILS	
Designed By S. BURBANK	Drawn By M. MELLEUR
Checked By M. CHENETTE	Bridge Design Supervisor M. CHENETTE
Date 05/03	Date 05/03
PROJECT CORINTH	PROJECT NO. TH2-9352
DH CAD Filename: ...Cor-abut2.dgn	Plot Date: 05/07/2003
Bridge Sheet No. _____	Sheet 19 of 28