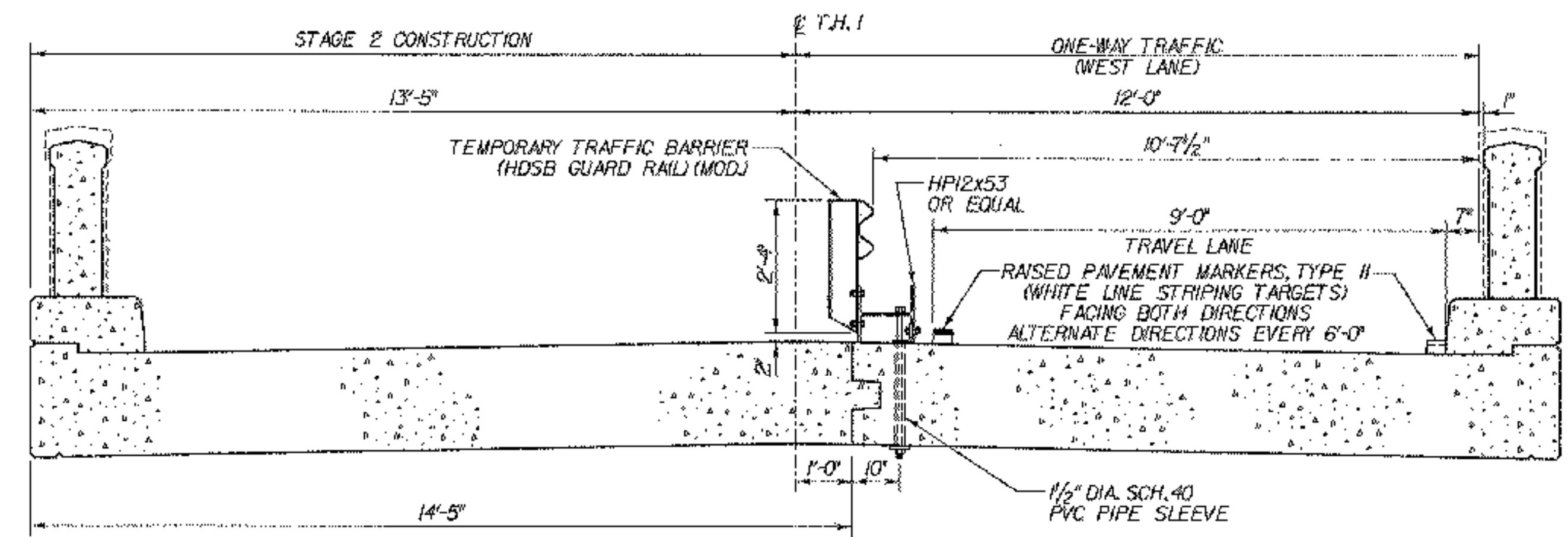


~~STAGE 1 CONSTRUCTION~~

SCALE 1/2" = 1'-0"



~~STAGE 2 CONSTRUCTION~~

SCALE 1/2" = 1'-0"

VOID
 STAGE CONSTRUCTION NOT USED
 A TEMPORARY BRIDGE (ONE-WAY) WAS USED

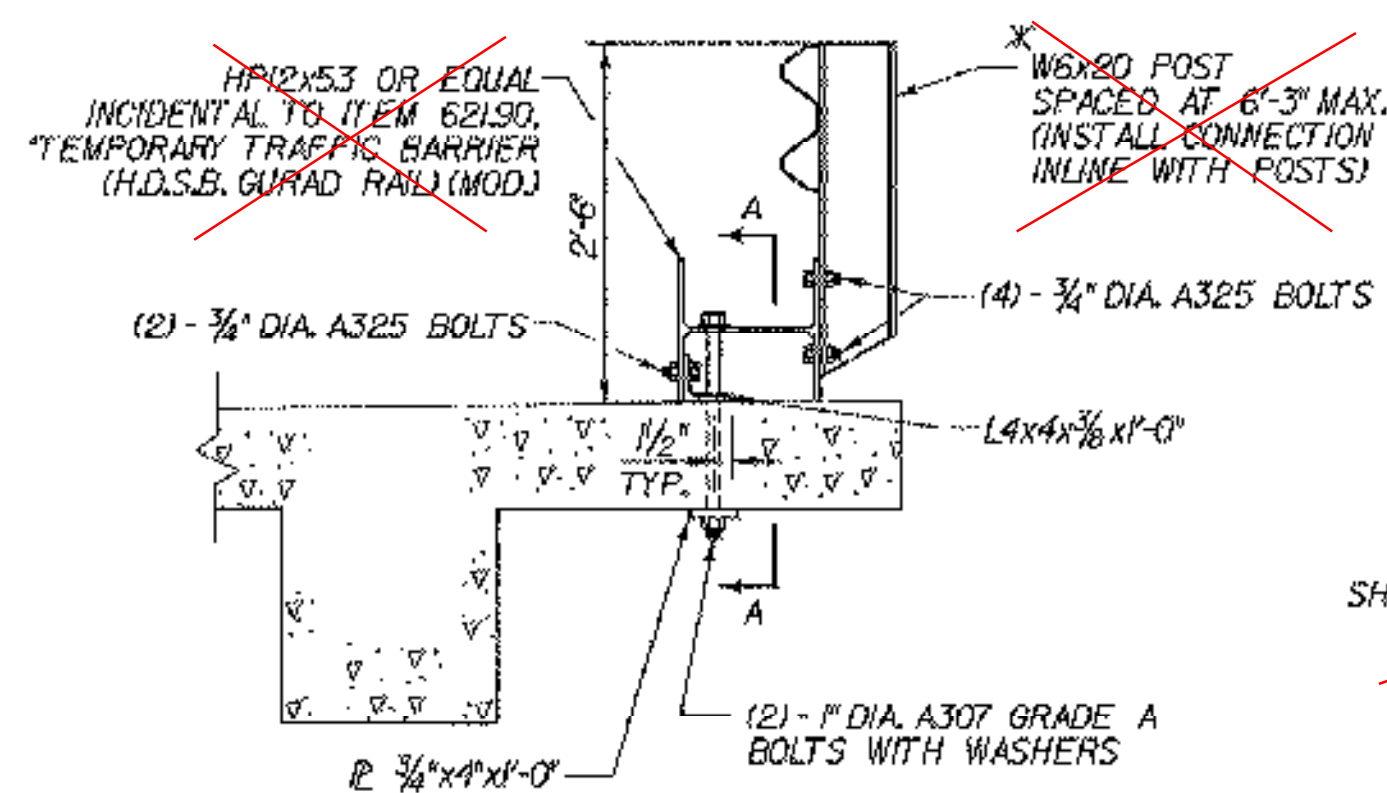
- ~~- REMOVE ALL BRIDGE PAVEMENT USING FLAGGERS.~~
- ~~- ANY PATCHING OF THE BARE CONCRETE DECK AFTER REMOVAL OF THE PAVEMENT SHALL BE INCIDENTAL TO ITEM 527.10, MAINTENANCE OF TRAFFIC FOR BRIDGE PROJECTS.~~
- ~~- SET UP TEMPORARY ONE-WAY TRAFFIC SIGNAGE AND PAVEMENT MARKINGS.~~
- ~~- ERECT TEMPORARY TRAFFIC BARRIER ON BRIDGE AND APPROACHES.~~
- ~~- MAINTAIN ONE-WAY (NORTH-SOUTH) TRAFFIC IN EAST LANE.~~
- ~~- REMOVE PORTION OF EXISTING BRIDGE AS SHOWN ABOVE.~~
- ~~- REHABILITATE WESTERN PORTION OF ABUTMENT ONE, THE PIER, AND ABUTMENT TWO.~~
- ~~- CONSTRUCT WESTERN PORTION OF CONCRETE BRIDGE.~~
- ~~- CONSTRUCT APPROACH WORK IN WESTERN PORTION OF ROADWAY FROM END OF BRIDGE TO END OF TEMPORARY SHEET PILING, INCLUDING INSTALLATION OF GUARD RAIL.~~

- ~~- TRANSFER THE TEMPORARY BARRIER RAIL TO THE NEW SLAB PLACED IN STAGE 1~~
- ~~- MAINTAIN ONE-WAY (NORTH-SOUTH) TRAFFIC IN WEST LANE.~~
- ~~- REMOVE REMAINING PORTION OF EXISTING BRIDGE.~~
- ~~- REHABILITATE EASTERN PORTION OF ABUTMENT ONE, THE PIER, AND ABUTMENT TWO.~~
- ~~- CONSTRUCT EASTERN PORTION OF CONCRETE BRIDGE.~~
- ~~- CONSTRUCT APPROACH WORK IN EASTERN PORTION OF ROADWAY FROM END OF BRIDGE TO END OF TEMPORARY SHEET PILING, INCLUDING INSTALLATION OF GUARD RAIL.~~
- ~~- REMOVE TEMPORARY TRAFFIC BARRIER AND COVER SIGNAGE FOR ONE-WAY TRAFFIC.~~
- ~~- FINISH APPROACH WORK ON THE NORTH AND SOUTH SIDES OF THE BRIDGE AND THE EASTERN AND WESTERN SIDES OF THE ROADWAY USING FLAGGERS AND/OR TEMPORARY ONE-WAY TRAFFIC WITH CHANNELING DEVICES. SEE V401 STANDARD E-108.~~

- ~~- UPON REMOVAL OF THE TEMPORARY TRAFFIC BARRIER THE BRIDGE IS TO REMAIN OPEN TO TWO-WAY TRAFFIC DURING NON-CONSTRUCTION HOURS.~~
- ~~- PAVE ALL APPROACHES WITH 1 1/2" OF TYPE III BITUMINOUS CONCRETE.~~
- ~~- PLACE SHEET MEMBRANE WATERPROOFING ON THE BRIDGE AND PAVE THE APPROACHES AND BRIDGE WITH 1 1/2" OF TYPE IV BITUMINOUS CONCRETE.~~
- ~~- PAVE APPROACHES AND BRIDGE WITH 1 1/2" OF TYPE III BITUMINOUS PAVEMENT.~~
- ~~- REMOVE TEMPORARY ONE-WAY TRAFFIC SIGNAGE.~~
- ~~- INSTALL FINAL PAVEMENT MARKINGS.~~

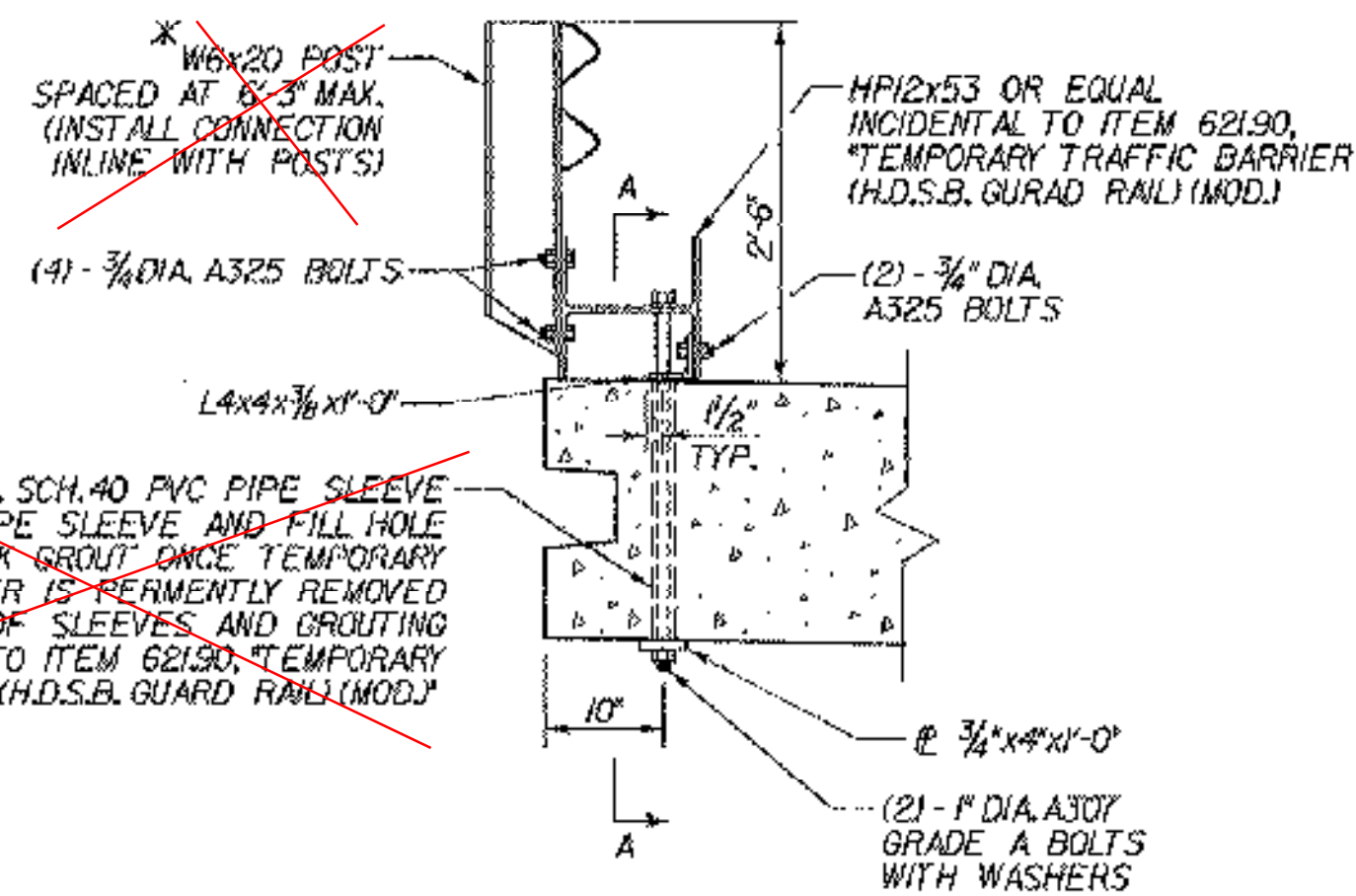
~~* NOTE: ANCHORAGE OF RAIL OFF BRIDGE SHALL BE TO TEMPORARY STEEL SHEET PILING AT A 6'-3" SPACING AND WITH STANDARD W6x9 DRIVEN POSTS SPACED AT 6'-3"~~

~~* NOTE: ANCHORAGE OF RAIL OFF BRIDGE SHALL BE TO APPROACH SLAB (SEE DETAIL THIS SHEET) AND WITH STANDARD W6x9 DRIVEN POSTS SPACED AT 6'-3"~~



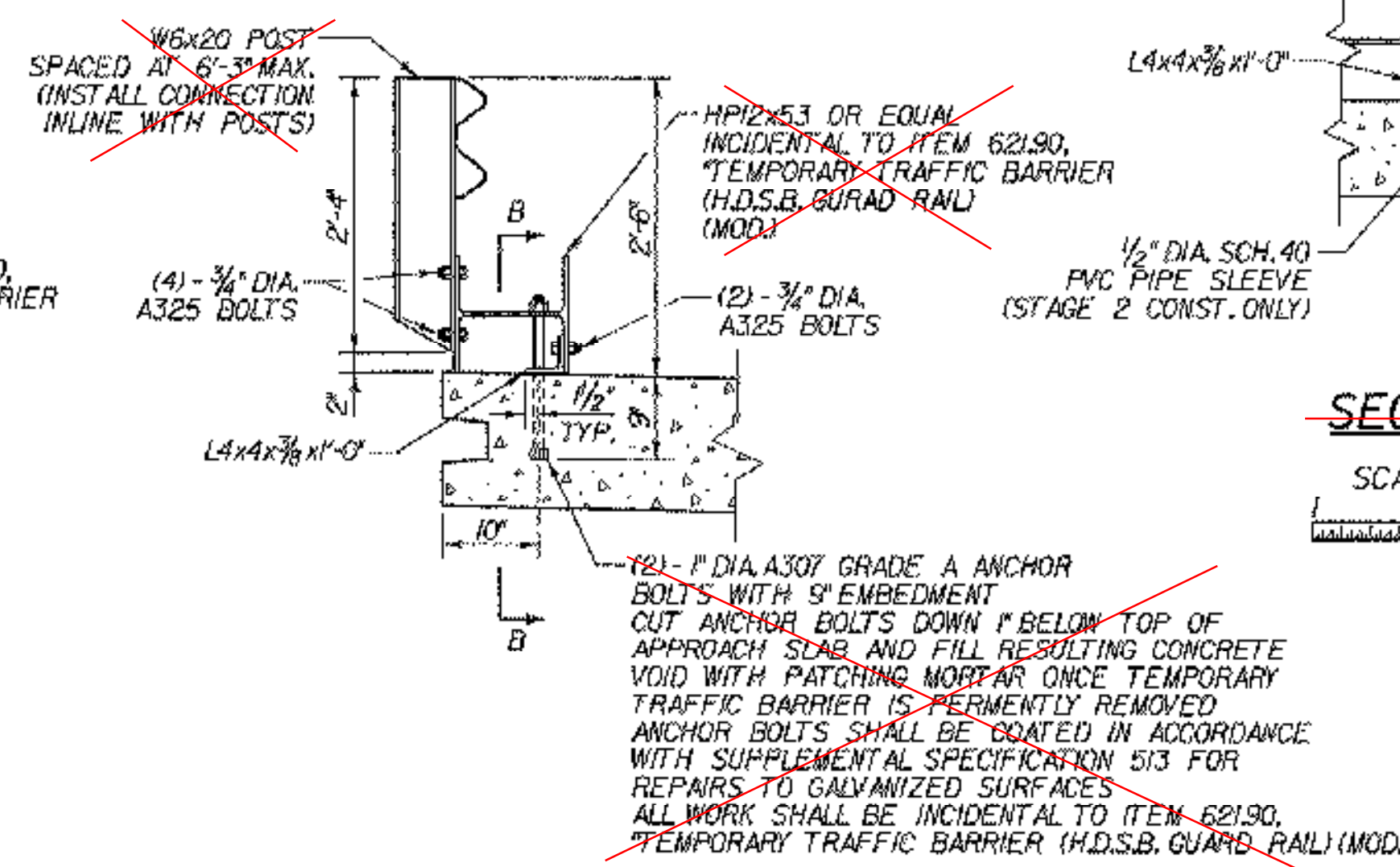
~~TEMPORARY TRAFFIC BARRIER (HDSB GUARD RAIL) (MOD.) FOR STAGE 1 CONSTRUCTION~~

SCALE 3/4" = 1'-0"



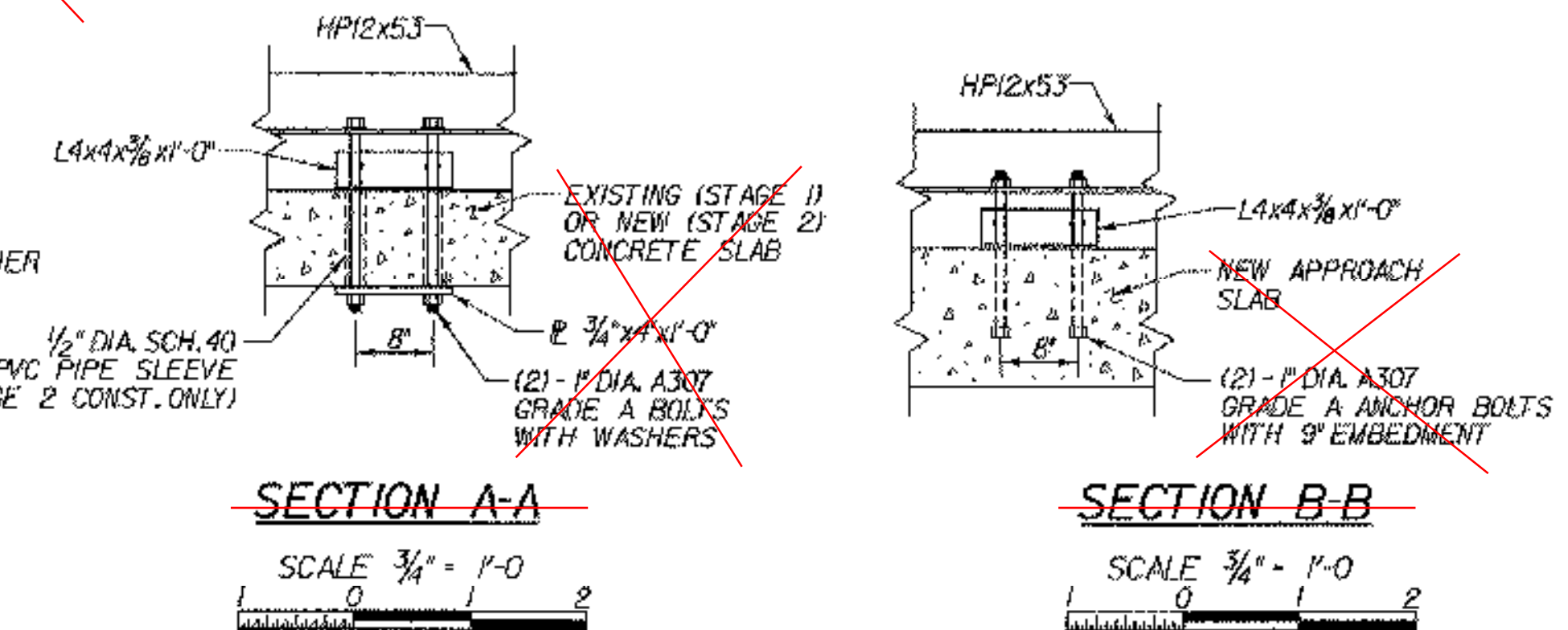
~~TEMPORARY TRAFFIC BARRIER (HDSB GUARD RAIL) (MOD.) FOR STAGE 2 CONSTRUCTION~~

SCALE 3/4" = 1'-0"



~~APPROACH SLAB TEMPORARY TRAFFIC BARRIER (HDSB GUARD RAIL) (MOD.) FOR STAGE 2 CONSTRUCTION~~

SCALE 3/4" = 1'-0"



~~SECTION B-B~~

SCALE 3/4" = 1'-0"

STATE OF VERMONT
 AGENCY OF TRANSPORTATION

Town Of	CORINTH	Bridge No.	100
Highway No.	T.H. 1	Log Sta.	
		Surv. Sta.	
TOWN HIGHWAY NO. 1 OVER WAITS RIVER			
STAGE CONSTRUCTION DETAILS			
Designed By	S. BURBANK	Drawn By	A. THIBAUT
Checked By	M. CHENETTE	Bridge Design Supervisor	M. CHENETTE
Date	05/03	Date	05/03
PROJECT	CORINTH	PROJECT NO.	TH2-9352
DH CAD Filename	...Cor-stagedet.dgn	Plot Date	05/07/2003
Bridge Sheet No.		Sheet	9 of 28