

GPS CONTROL POINTS



TRAVERSE POINT 1 "CORINTH TEMP 1" (NOT SHOWN)

N = 167711.2000
E = 520271.8190
Z = 247.670

DESCRIPTION OF TRAVERSE POINT 1

GENERAL LOCATION: SOUTH CORINTH, VT, ABOUT 41.8 km (26 miles) NORTH OF WHITE RIVER JUNCTION, ABOUT 29.0 km (18 miles) SOUTHEAST OF BARRE, AND ABOUT 48.3 km (30 miles) SOUTHWEST OF ST. JOHNSBURY.

TO REACH FROM THE I-91 BRIDGES OVER VT ROUTE 25 IN BRADFORD GO NORTHWEST ALONG VT ROUTE 25 FOR 1.0 km (0.6 miles) TO THE INTERSECTION OF VT ROUTE 25B RIGHT. CONTINUE STRAIGHT AHEAD AND GO NORTHWEST ALONG VT ROUTE 25 FOR 7.2 km (4.5 miles) TO THE INTERSECTION OF COOKEVILLE ROAD LEFT AT A BRIDGE OVER THE WAITS RIVER. TURN LEFT AND GO SOUTHWEST OVER BRIDGE AND ALONG COOKEVILLE ROAD FOR 4.0 km (2.5 miles) TO THE CROSSROADS TRADING POST IN SOUTH CORINTH. CONTINUE STRAIGHT AHEAD ON COOKEVILLE ROAD FOR 2.17 km (1.35 miles) TO THE MARK ON THE LEFT, JUST EAST OF A BEND IN THE ROAD.

THE MARK IS 4.0 m (13.1 ft) SOUTH OF AND ABOUT 0.05m (0.16 ft) LOWER THAN THE CENTERLINE OF COOKEVILLE ROAD, 0.35 m (1.15 ft) SOUTH OF THE SOUTH EDGE OF PAVEMENT, 2.5 m (8.2 ft) NORTH OF A BARB WIRE FENCE, 14.75 m (48.39 ft) SOUTHWEST OF A NAIL IN A 24 cm BALSAM FIR, 14.00 m (45.93 ft) SOUTHEAST OF A NAIL IN A 25cm CHERRY AND 2.4 m (7.9 ft) NORTH OF A WOODEN WITNESS POST.

THE MARK IS A CENTER PUNCHED REBAR SET 3 cm BELOW THE GROUND SURFACE IN THE SHOULDER OF THE ROAD.

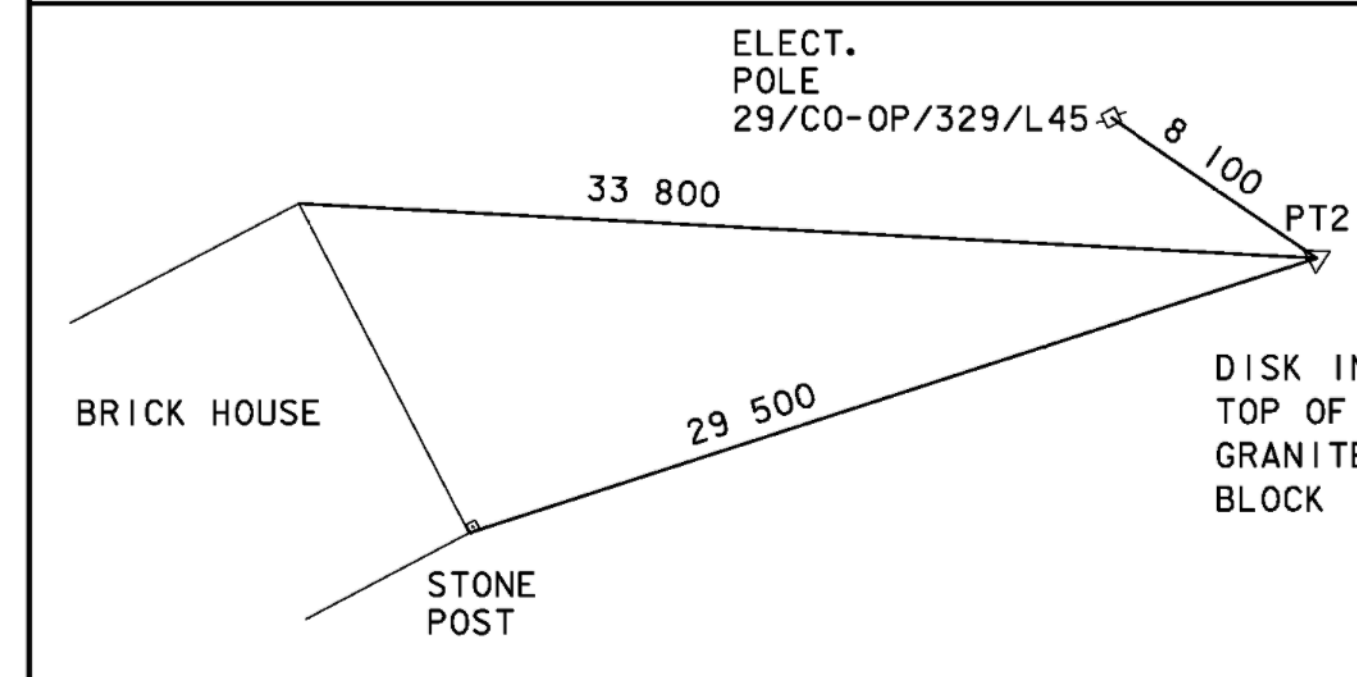
TRAVERSE POINT 2

"TT 20 LDJ"

N = 167609.1090

E = 520712.1230

Z = 238.070



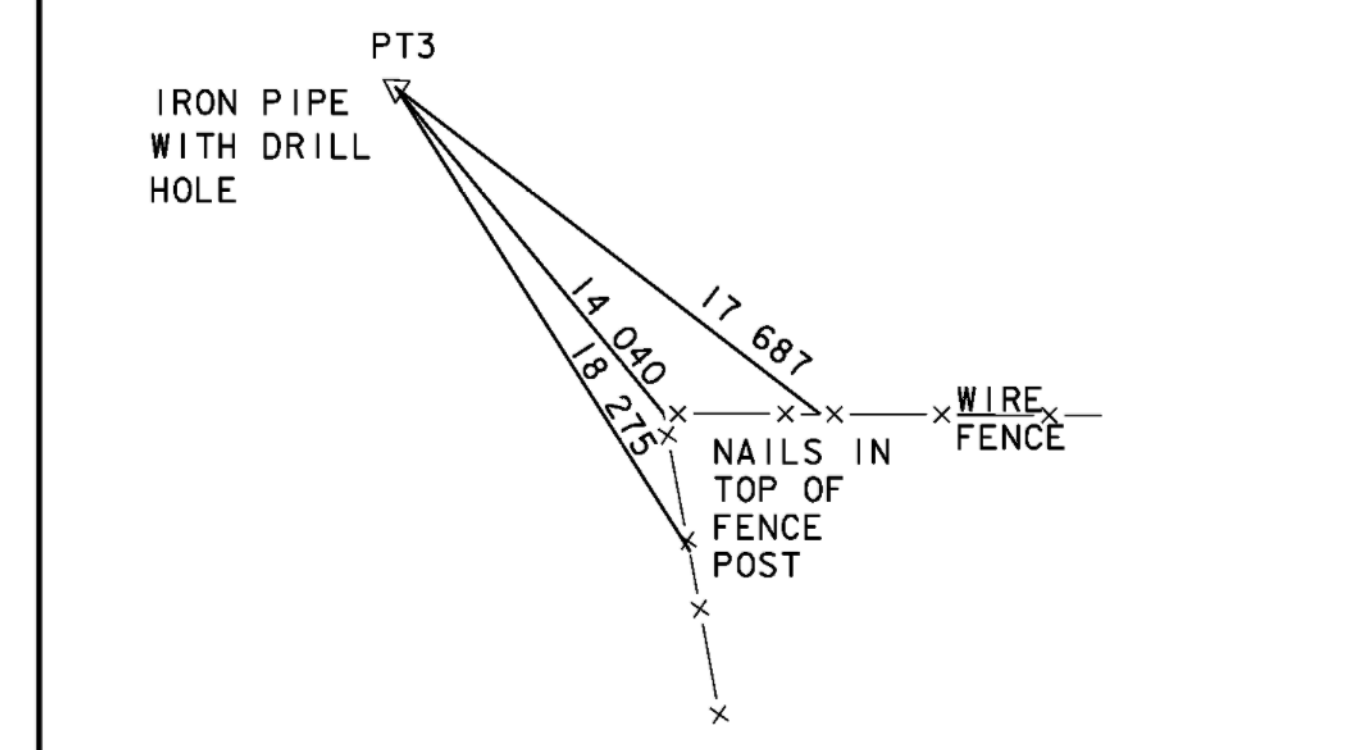
TRAVERSE TIES

TRAVERSE POINT 3

N = 167519.2734

E = 520634.6672

Z = 235.3410

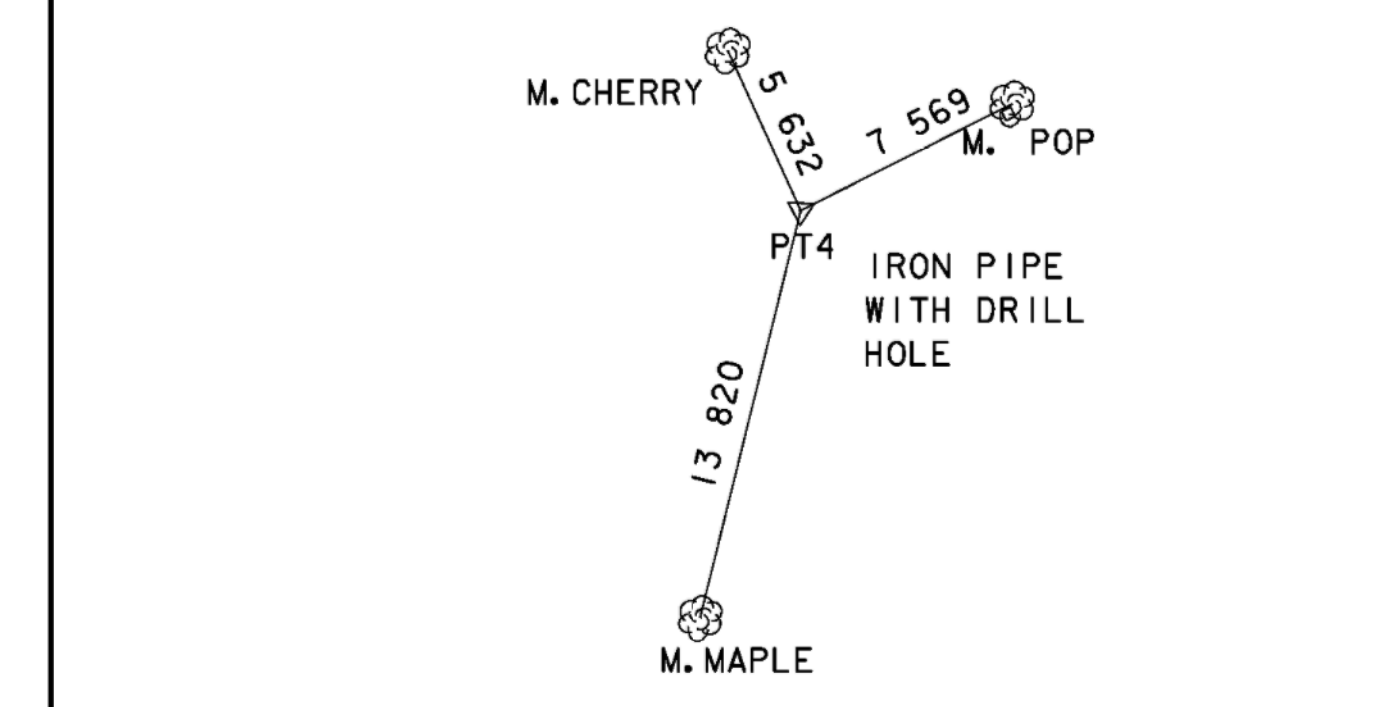


TRAVERSE POINT 4

N = 167345.4149

E = 520555.0571

Z = 236.2130

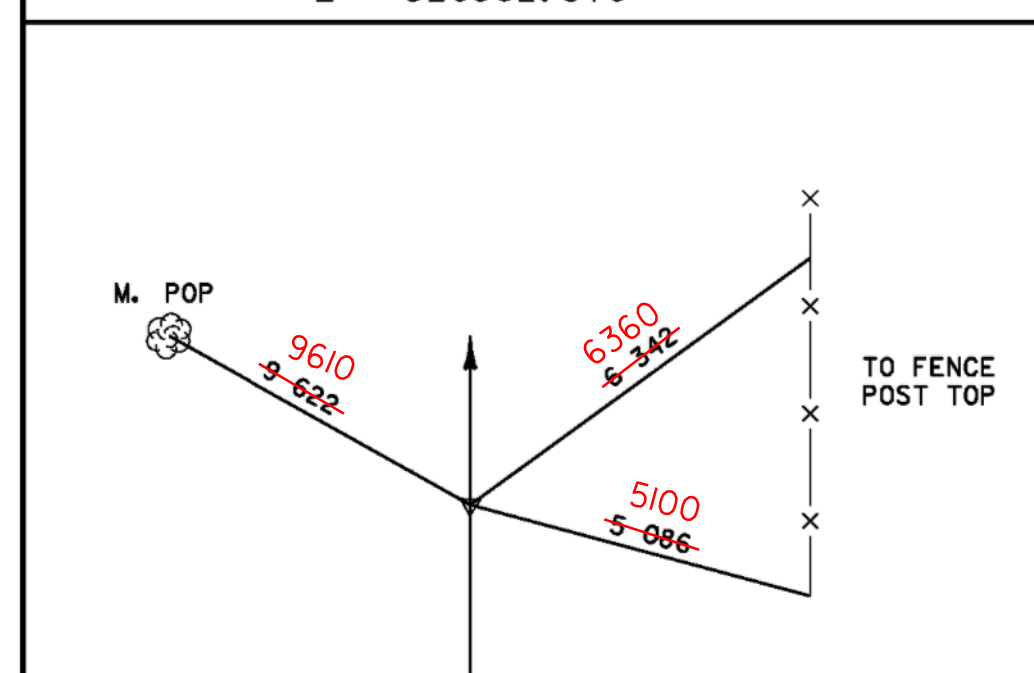


ALIGNMENT TIES

MAIN LINE PC 1+015.476

N = 167346.417

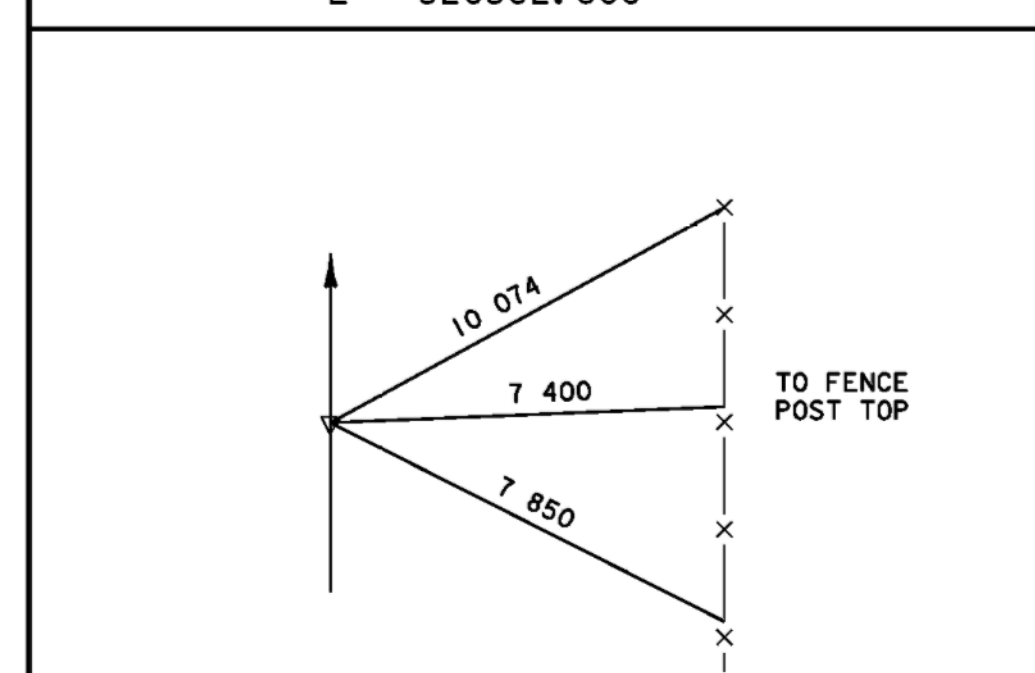
E = 520562.370



MAIN LINE PT 1+079.667

N = 167407.117

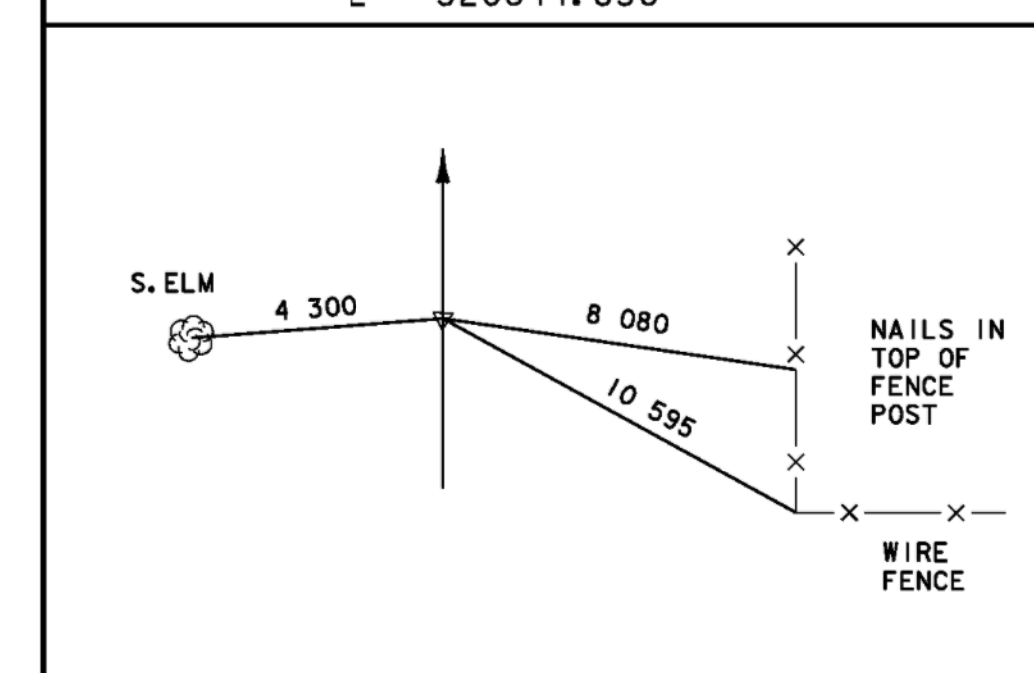
E = 520582.600



MAIN LINE POT 1+219.500

N = 167532.337

E = 520644.836



ALL DIMENSIONS IN MILLIMETERS UNLESS OTHERWISE INDICATED.
NOT TO SCALE

DATUM	
VERTICAL	NAVD 88
HORIZONTAL	NAD 83/92

PROJECT: CORINTH	PROJECT NO.: STP BRO 1447 (22) (RE-ADVERTISED)
DESIGN FILE NAME: sj042+1e.dgn	PLOT DATE: 16-JUL-2008
IPARM FILE NAME: sj042+1e.1	SURVEY DATE: 3-15-95
SURVEYED BY: R.D. GILMAN	DRAWN BY: R.S. YOUNG
SQUAD LEADER: C.P. WILLIAMS	SHEET: 6 OF 42
TIE SHEET	