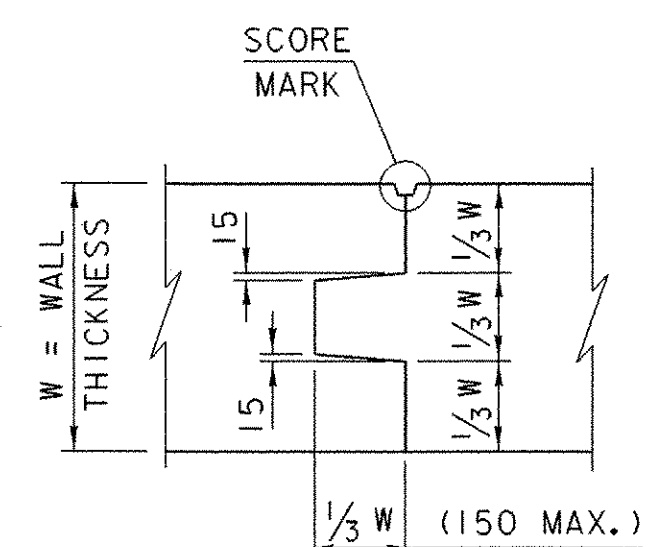


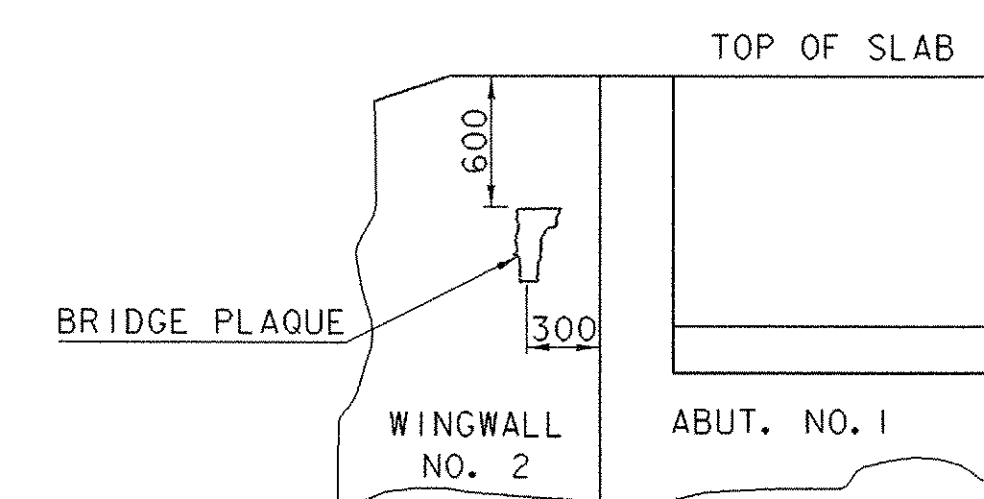
SCORE MARK DETAIL

NOT TO SCALE



TYPICAL CONCRETE CONSTRUCTION JOINT

NOT TO SCALE

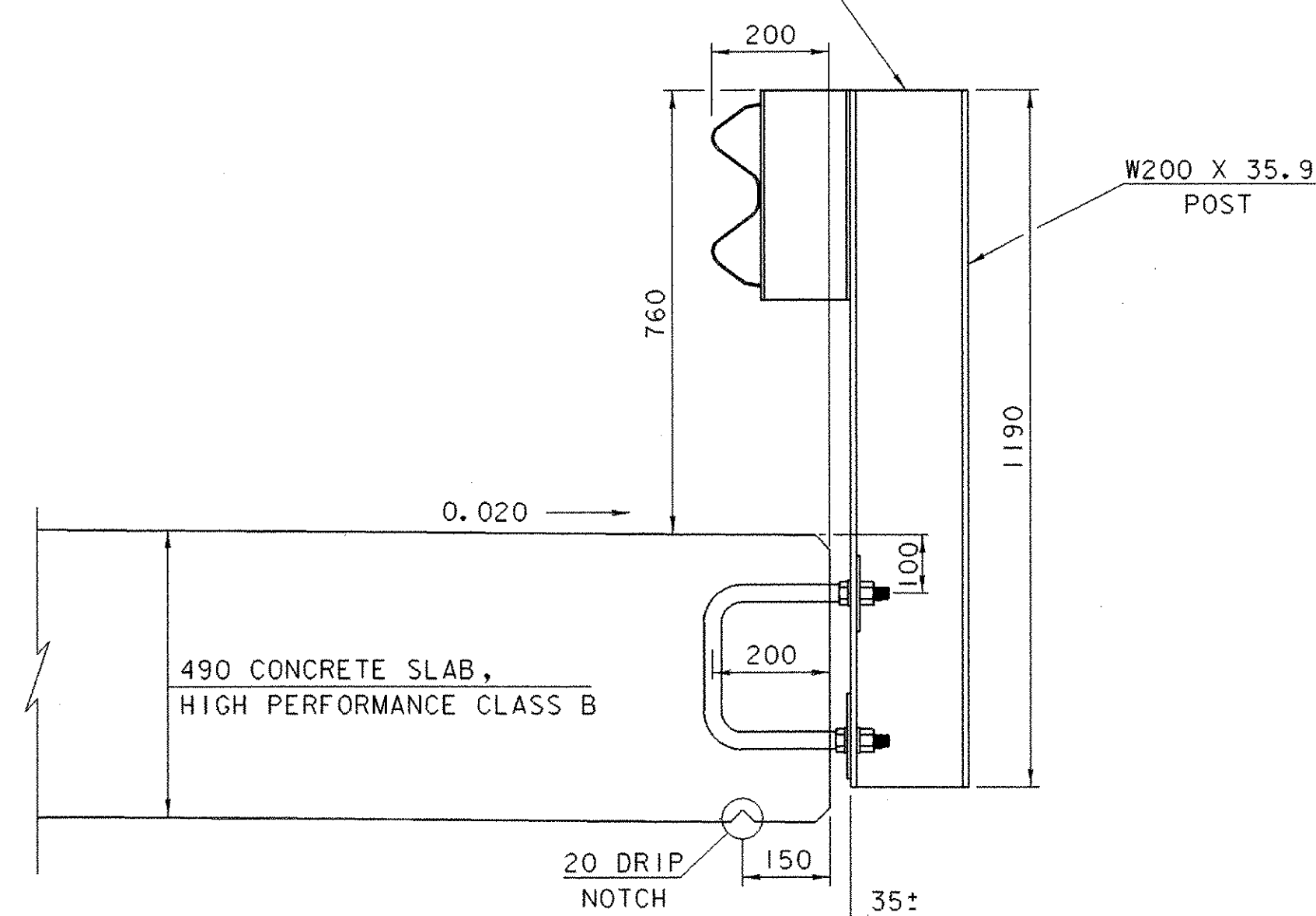


LOCATE BRIDGE PLAQUE

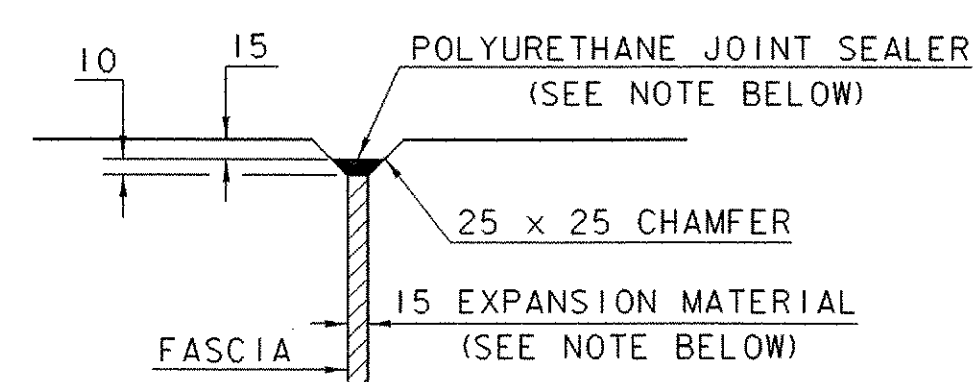
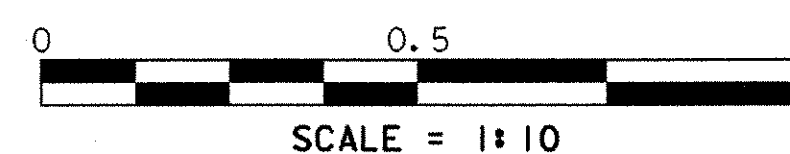
NOT TO SCALE

THE BRIDGE PLAQUE WILL BE SUPPLIED BY THE VERMONT AGENCY OF TRANSPORTATION. IT SHALL BE INSTALLED BY THE CONTRACTOR AT ABUTMENT NO. 1 ON THE RIGHT SIDE AS SHOWN OR AS DIRECTED BY THE RESIDENT ENGINEER.

BRIDGE RAILING - HDSB FASCIA MOUNTED, TYPE C (SEE STD SB-R6-82M)



BRIDGE RAILING DETAIL



JOINT BETWEEN FASCIA AND WINGWALL

NOT TO SCALE

NOTE:

COST OF THE POLYURETHANE JOINT SEALER AND EXPANSION MATERIAL TO BE INCLUDED IN THE UNIT PRICE BID FOR ITEM 501.34, "CONCRETE, HIGH PERFORMANCE CLASS B".

STATE OF VERMONT AGENCY OF TRANSPORTATION

Town Of	HUNTINGTON	Bridge No.	34
Highway No.	T.H. 21	Log Sta.	
		Surv. Sta.	
T.H. 21 OVER BRUSH BROOK			
MISCELLANEOUS PROJECT DETAILS			
Designed By	J. LACROIX	Drawn By	KC / BMM
Checked By	M. LOZIER	Date	5/03
		Project Manager	R.R. WHITCOMB Date 6/03
PROJECT	HUNTINGTON	PROJECT NO.	BR01445 (21)
I.G.C. Info. str3/93j029/sj029abdgn		sj029mpd1	
Bridge Sheet No.		Sheet	21 of 34