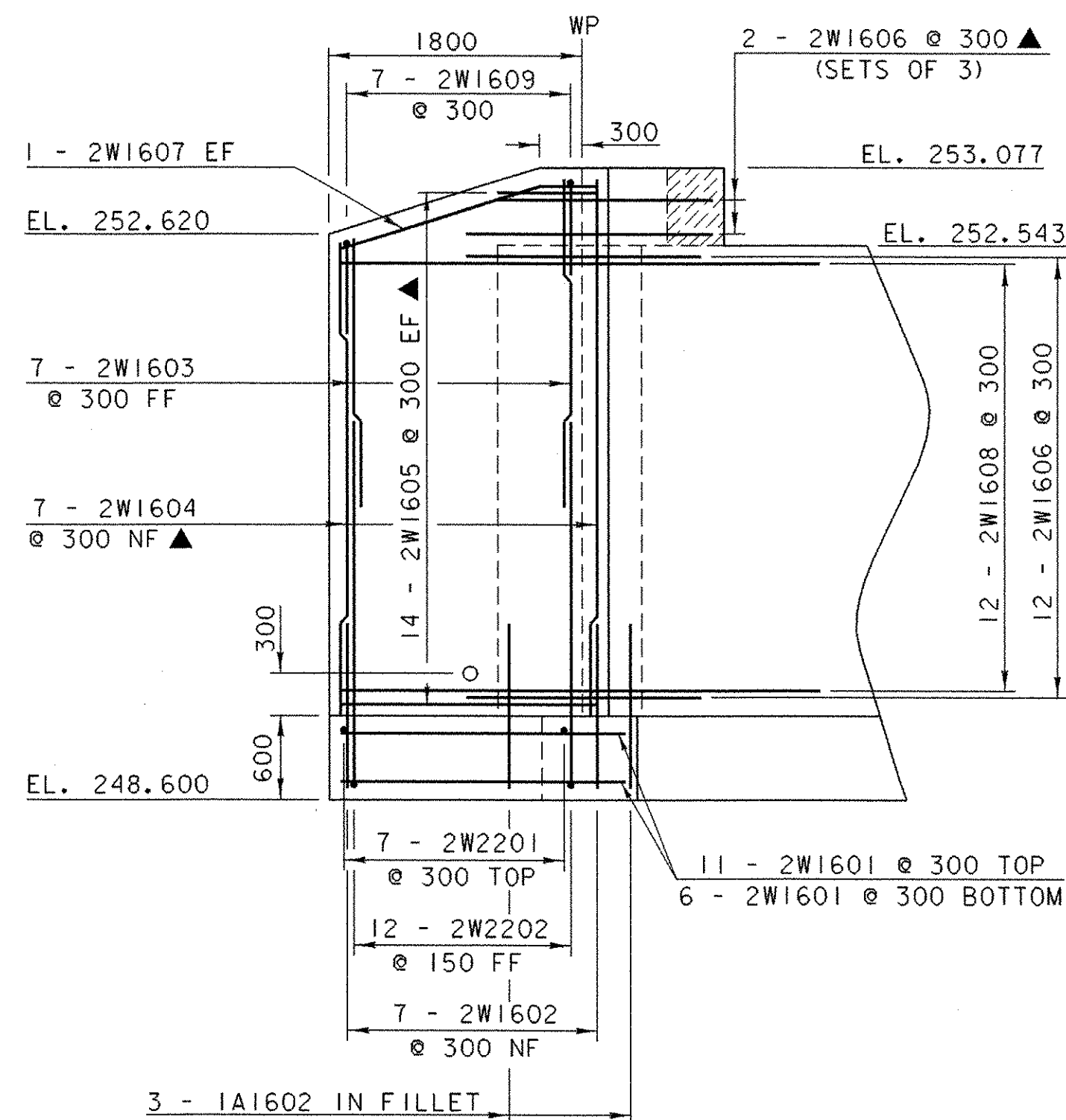
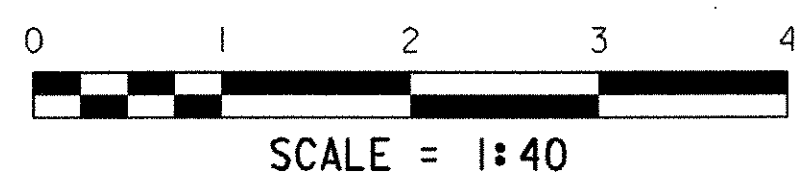
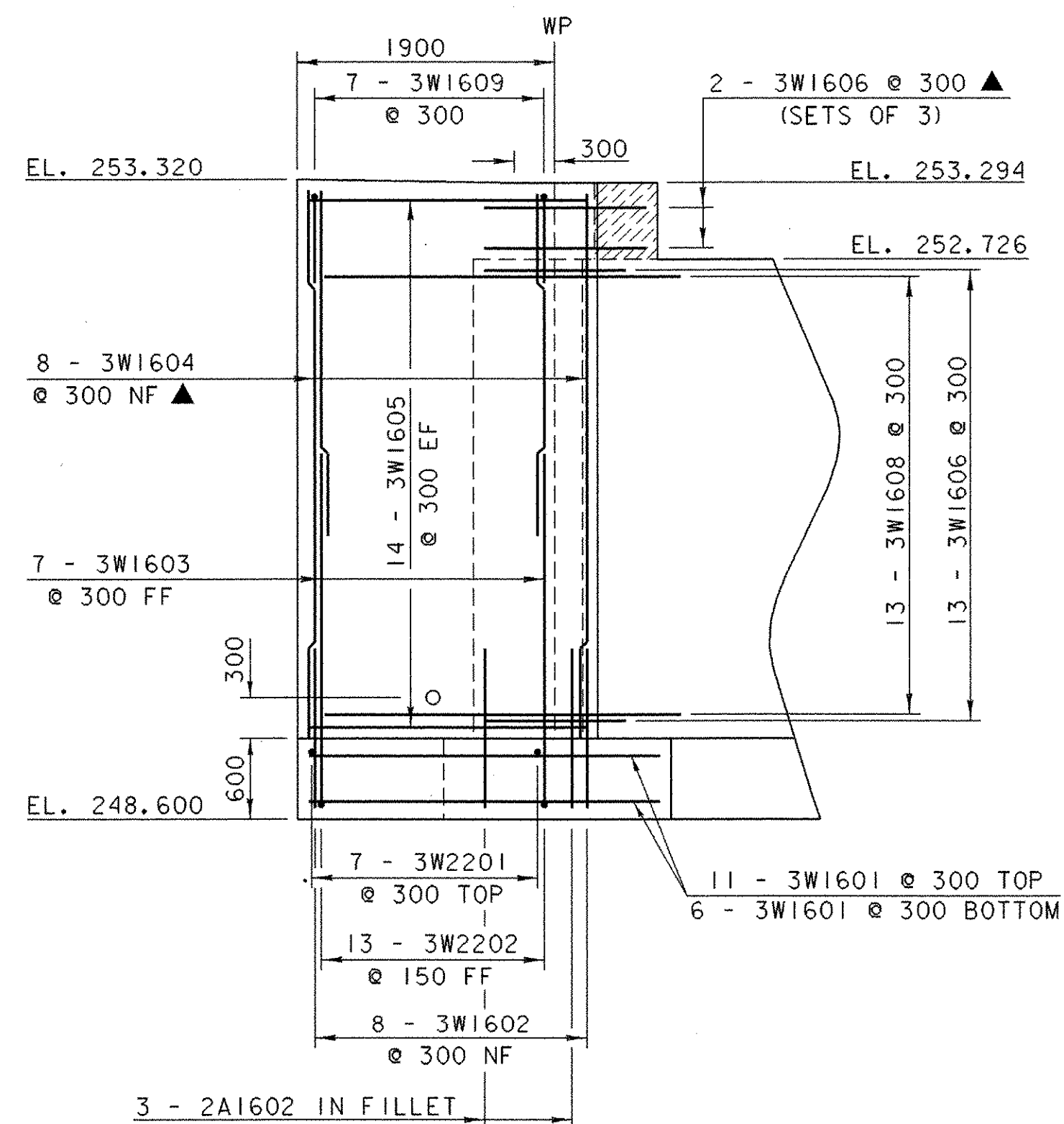
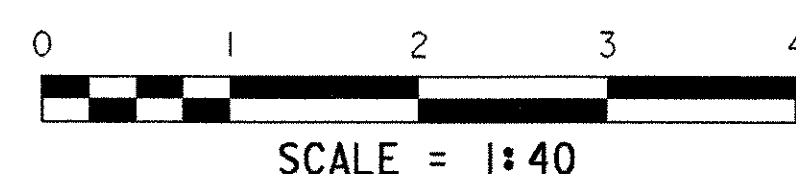


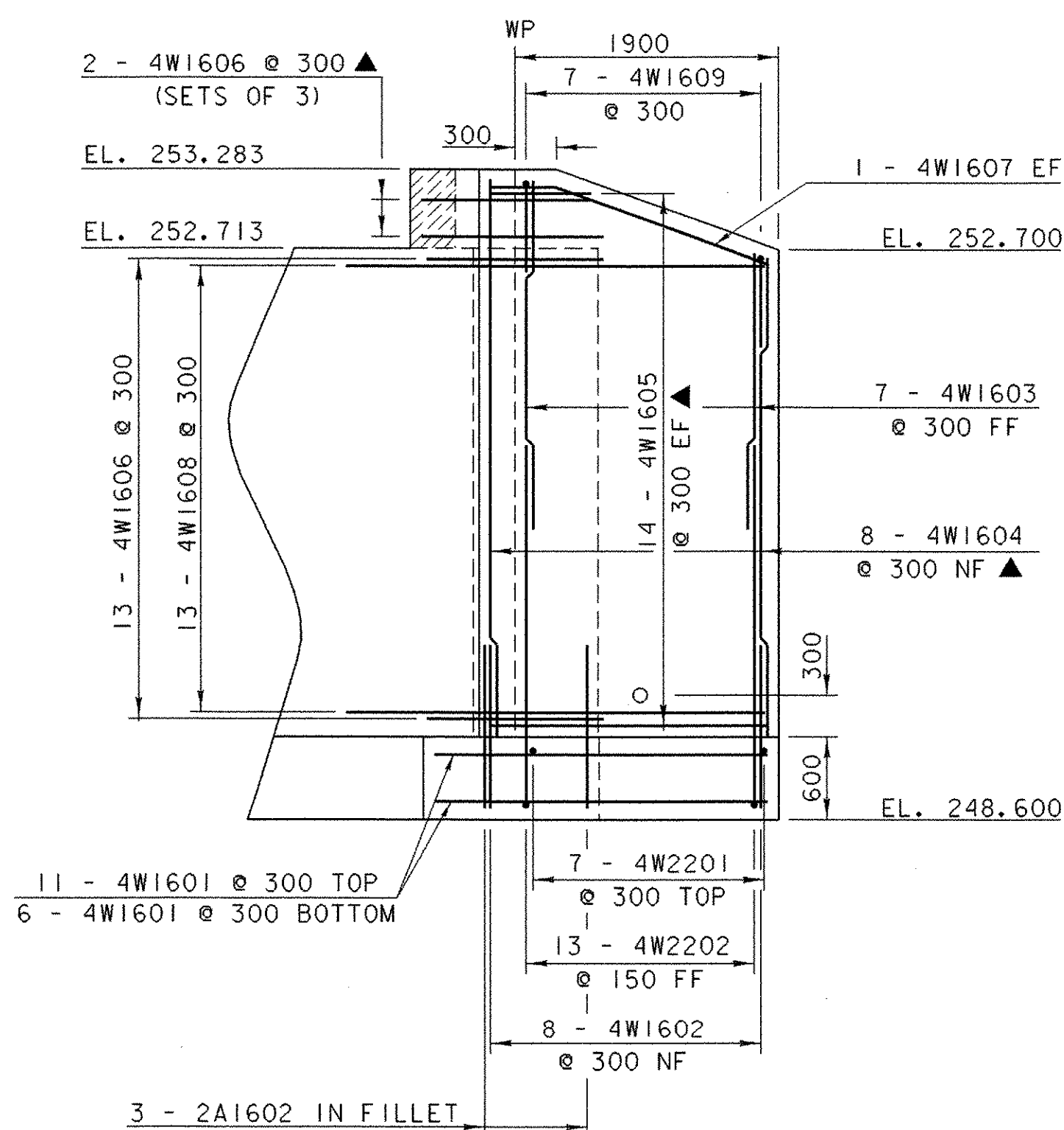
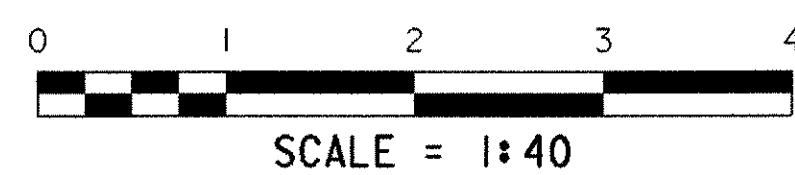
WINGWALL NO. 1 ELEVATION



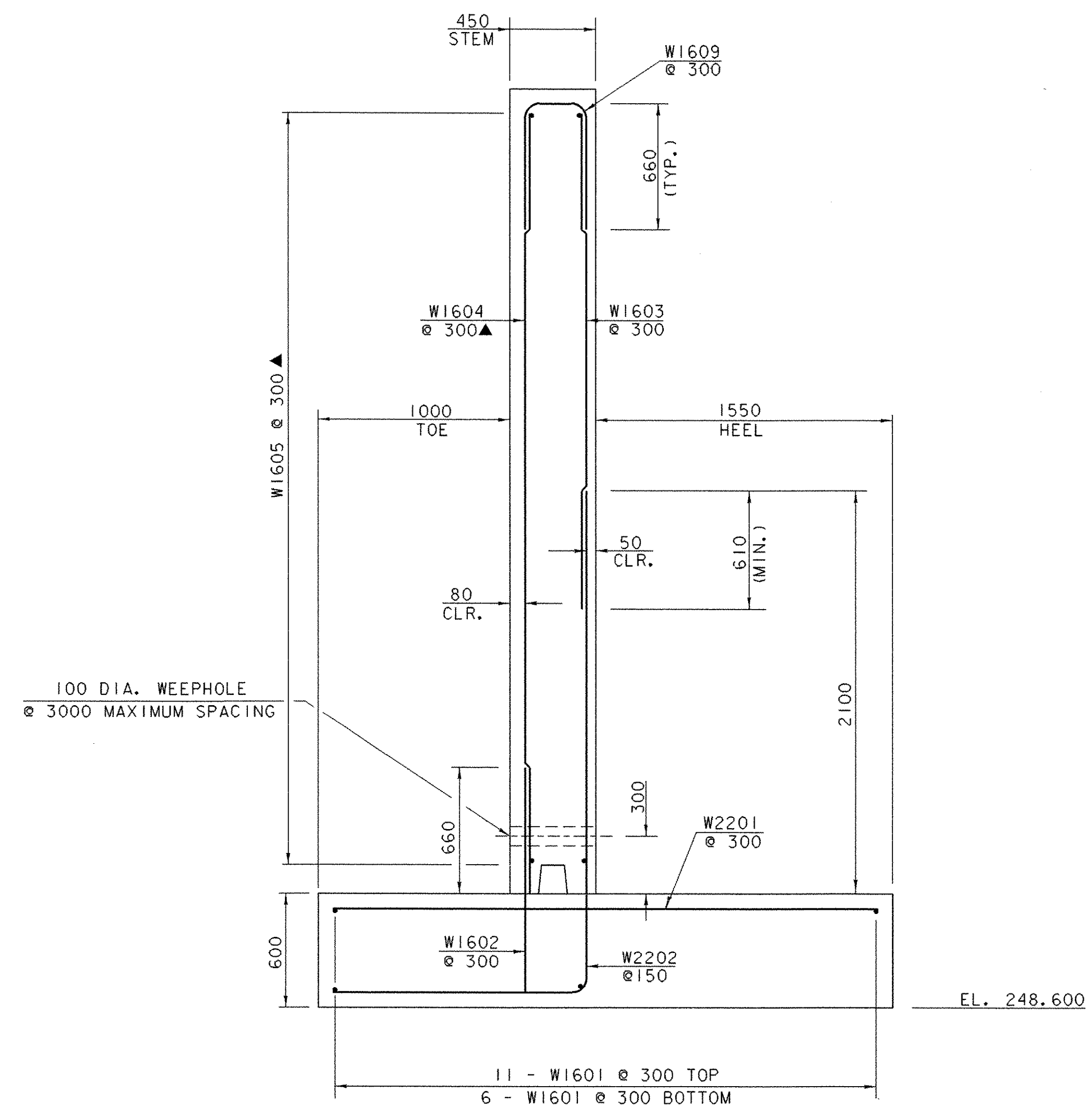
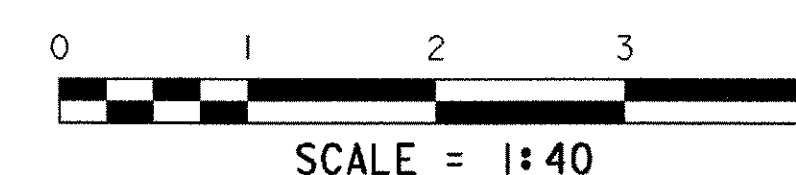
WINGWALL NO. 2 ELEVATION



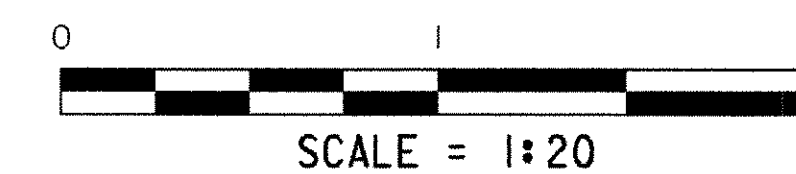
WINGWALL NO. 3 ELEVATION



WINGWALL NO. 4 ELEVATION



WINGWALL TYPICAL SECTION



NOTE:
 NF = NEAR FACE
 FF = FAR FACE
 EF = EACH FACE
 ▲ = CUT TO FIT IN FIELD
 80 CLR. UNLESS OTHERWISE SPECIFIED ON THE PLANS.

STATE OF VERMONT AGENCY OF TRANSPORTATION			
Town Of	HUNTINGTON	Bridge No.	34
Highway No.	T.H. 21	Log Sta.	
		Surv. Sta.	
T.H. 21 OVER BRUSH BROOK WINGWALL DETAILS			
Designed By	J. LACROIX	Drawn By	M. LOZIER
Checked By	M. LOZIER	Date	5/03
		Project Manager	R.R. WHITCOMB
		Date	6/03
PROJECT	HUNTINGTON	PROJECT NO.	BRO1445 (21)
I.G.C. Info.	str3/93j029/sj029abdgn	s/j029mw1	
Bridge Sheet No.		Sheet	19 of 34