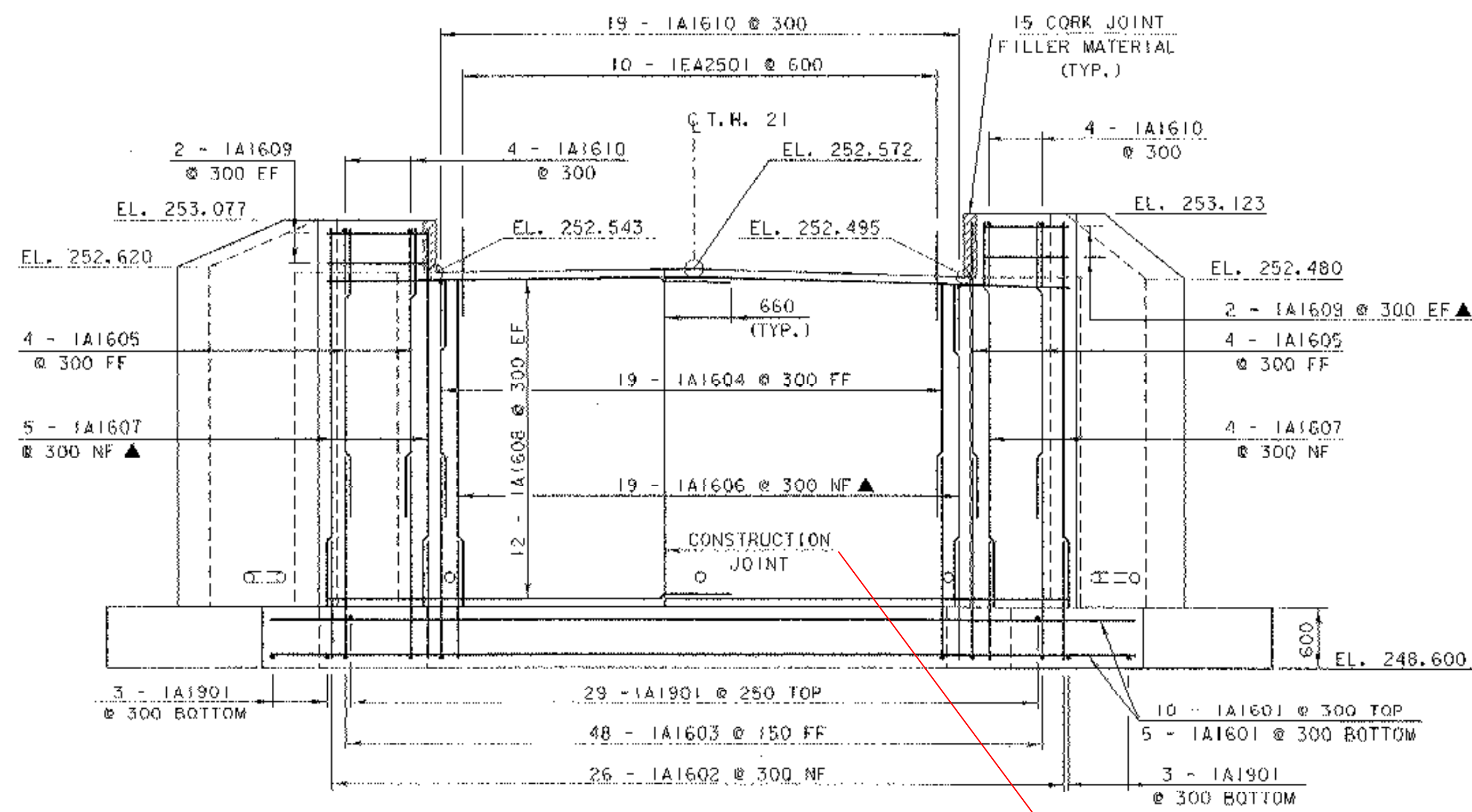
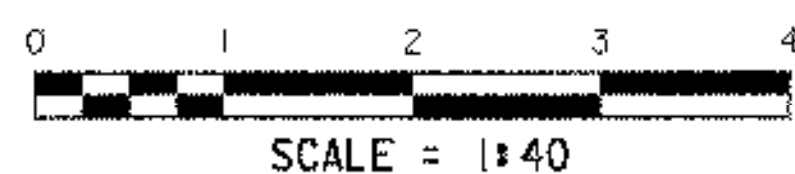
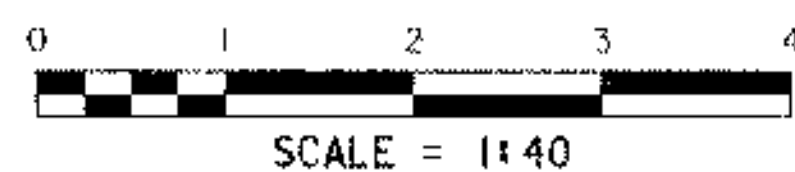


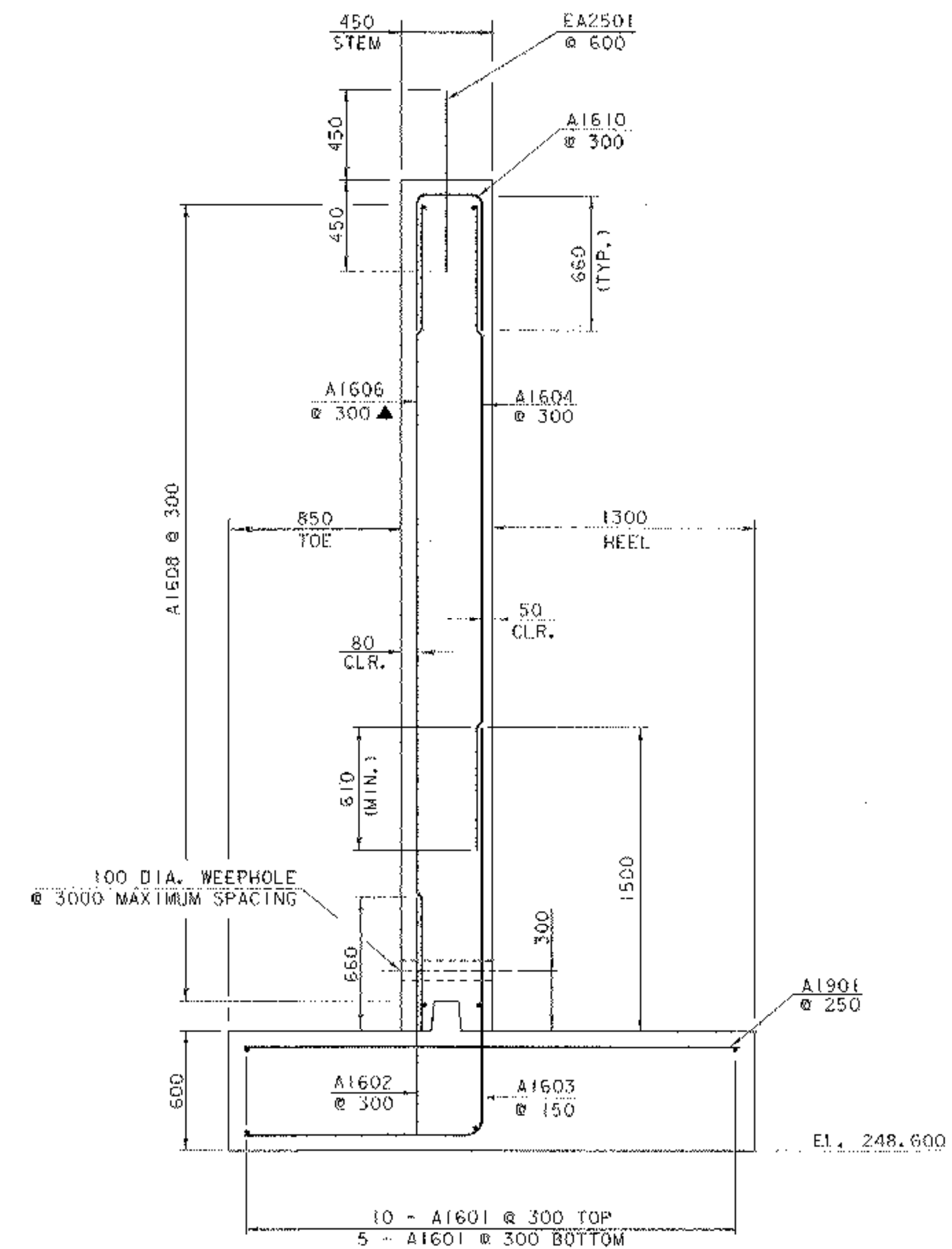
ABUTMENT NO. 1 PLAN



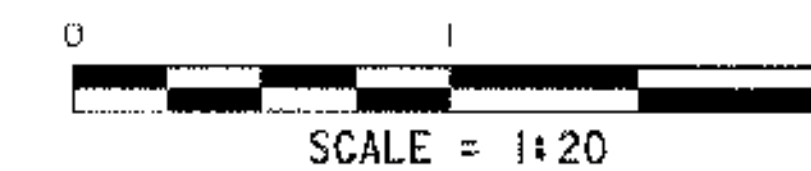
ABUTMENT NO. 1 ELEVATION



POURED WITHOUT CONSTRUCTION JOINT
PER ROGER WHITCOMB, PROJECT MANAGER



ABUTMENT TYPICAL SECTION



NOTE:

NF = NEAR FACE
FF = FAR FACE
EF = EACH FACE
▲ = CUT TO FIT IN FIELD
80 CLR. UNLESS OTHERWISE SPECIFIED ON THE PLANS.

**STATE OF VERMONT
AGENCY OF TRANSPORTATION**

Town Of	HUNTINGTON	Bridge No.	34
Highway No.	T.H. 21	Log. Sta.	
		Surv. Sta.	
T.H. 21 OVER BRUSH BROOK ABUTMENT NO. 1 DETAILS			
Designed By	J. LACROIX	Drawn By	M. LOZIER
Checked By	M. LOZIER	Date	5/03
		Project Manager	R.R. WHITCOMB Date 6/03
PROJECT	HUNTINGTON	PROJECT NO.	BR01445 (21)
I.G.C. Info.	str3/93 J029/s J029abdg		s J029abdl
Bridge Sheet No.		Sheet 17 of	34