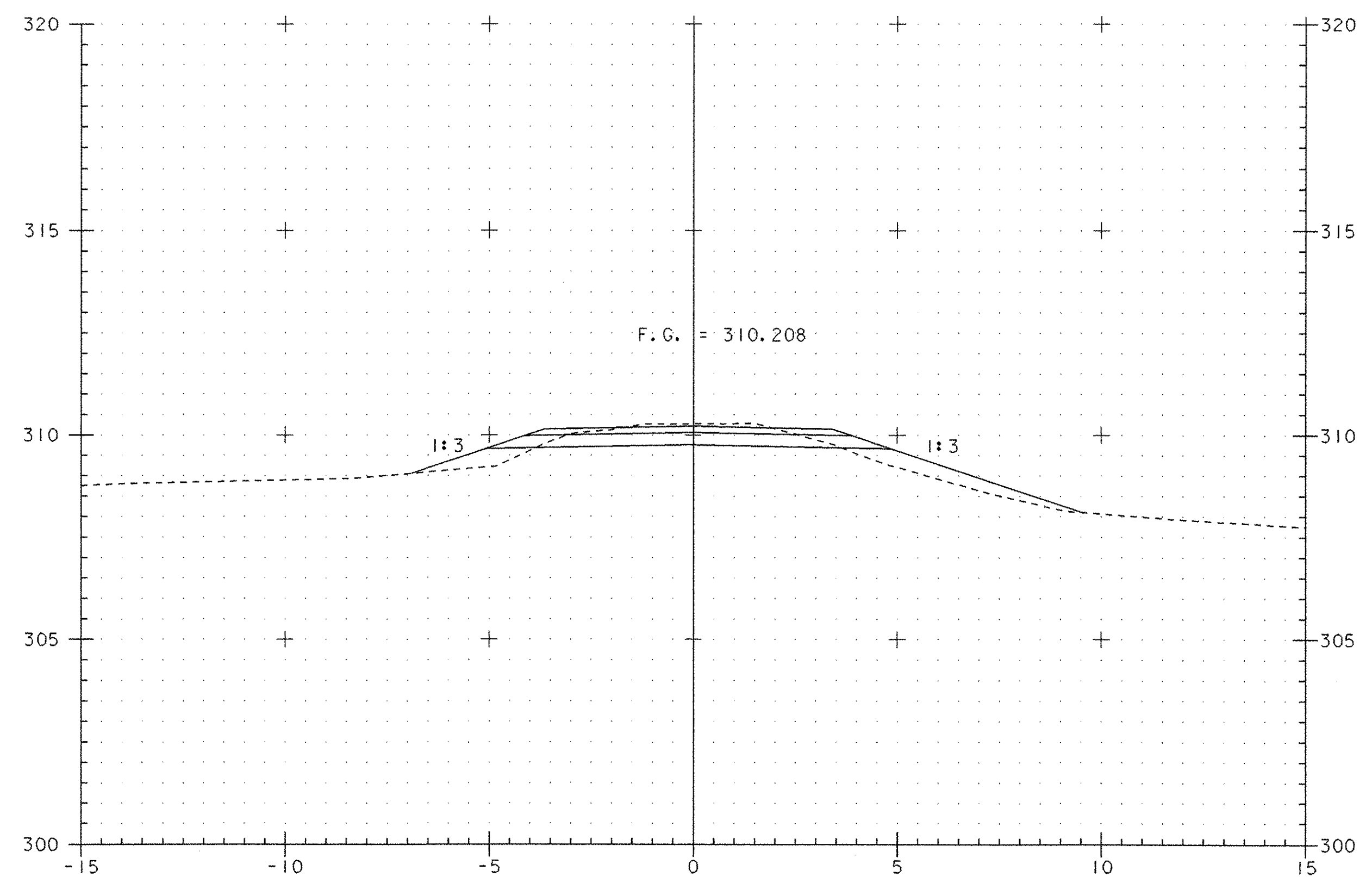
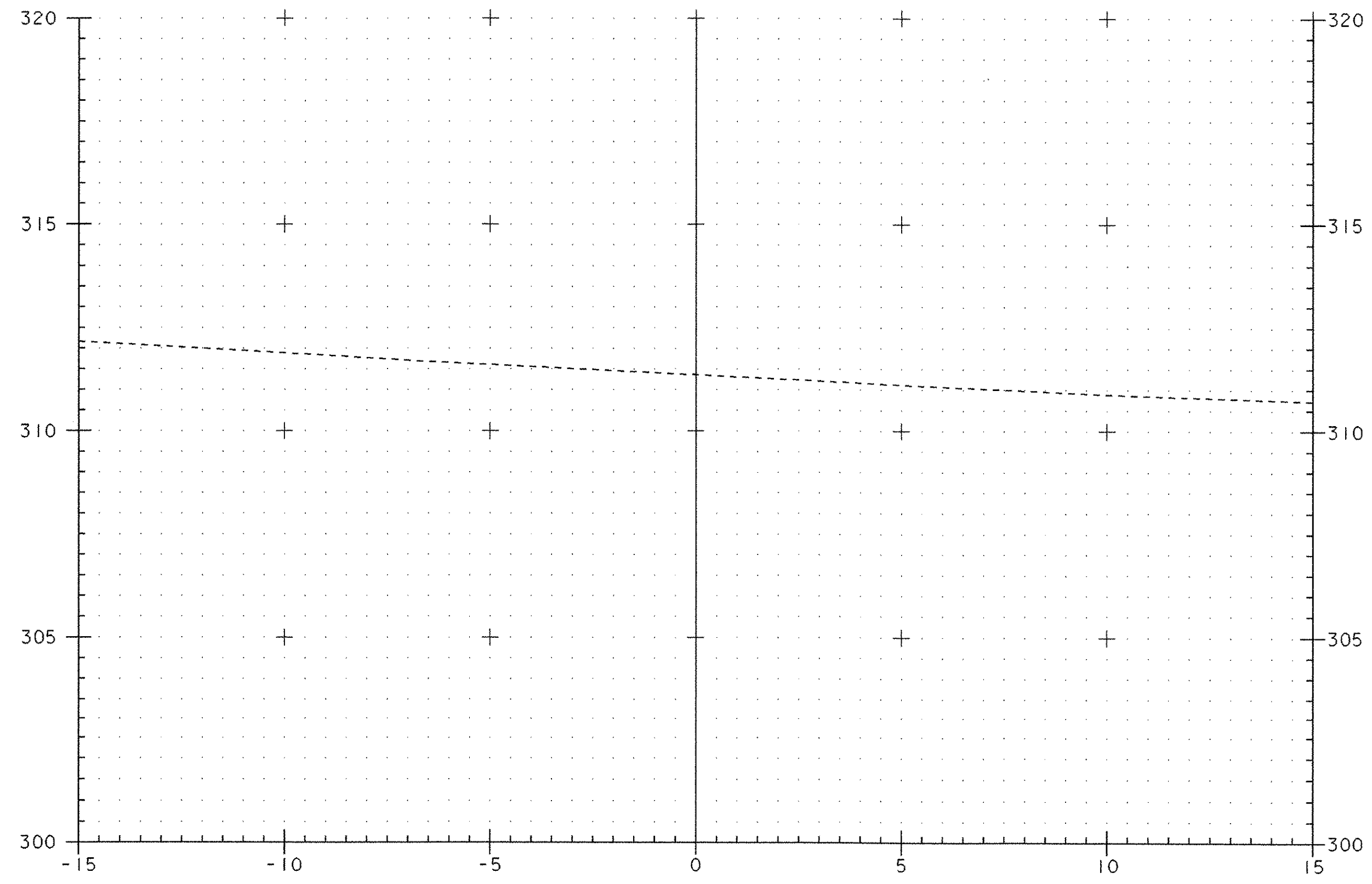


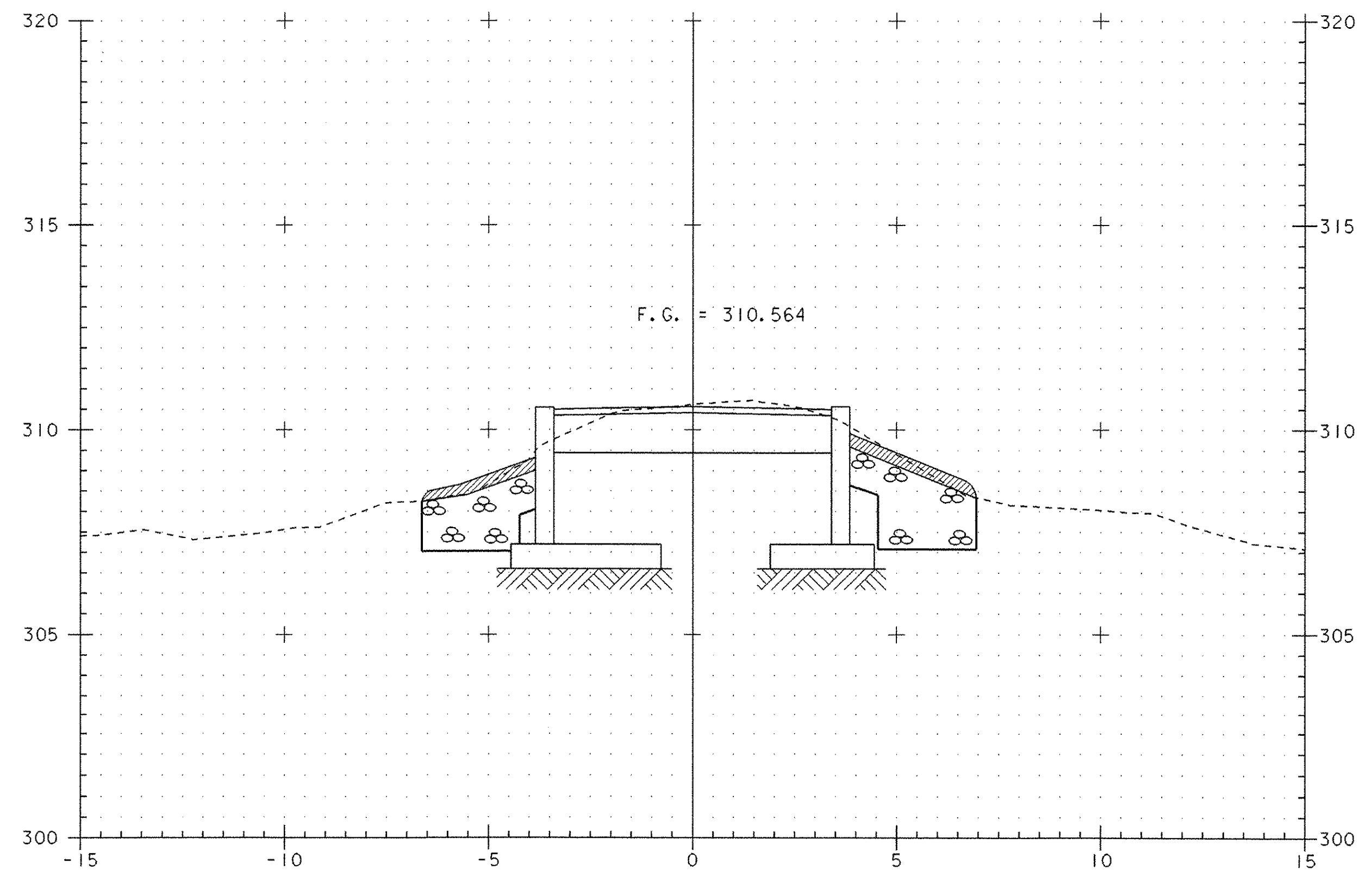
1+010
BEGIN PROJECT
BEGIN BRIDGE
STA 1+009.000



1+030
END PROJECT
STA 1+030.000



1+000
BEGIN APPROACH
STA 1+003.440
(EDGE VT RTE 113)



1+020
END BRIDGE
STA 1+018.850



PROJECT: VERSHIRE	PROJECT NO.: BR0 1444(32)
DESIGN FILE NAME: 93j027/structures/sj027xsl.dgn	PLOT DATE: 24-FEB-2006
IPARM FILE NAME: sj027mil.i	
MAINLINE CROSS SECTIONS	
SECTION 1+000.000 THROUGH 1+030.000	SHEET: 31 OF 34