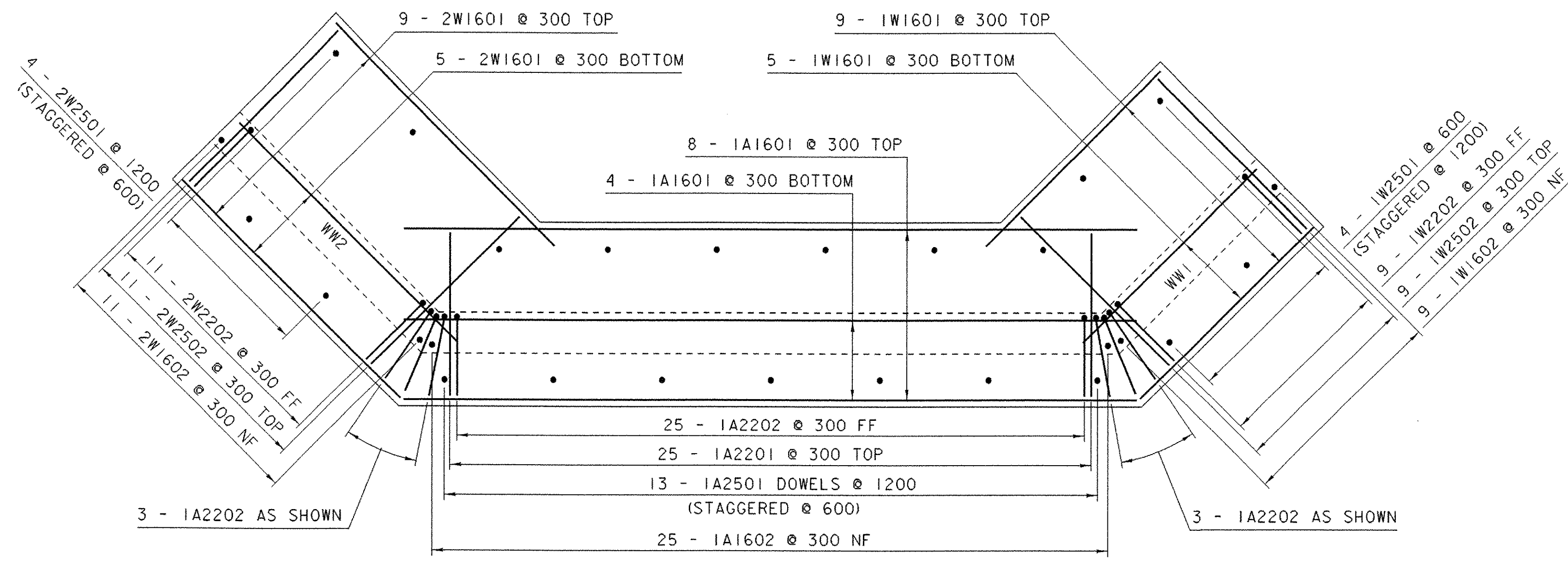
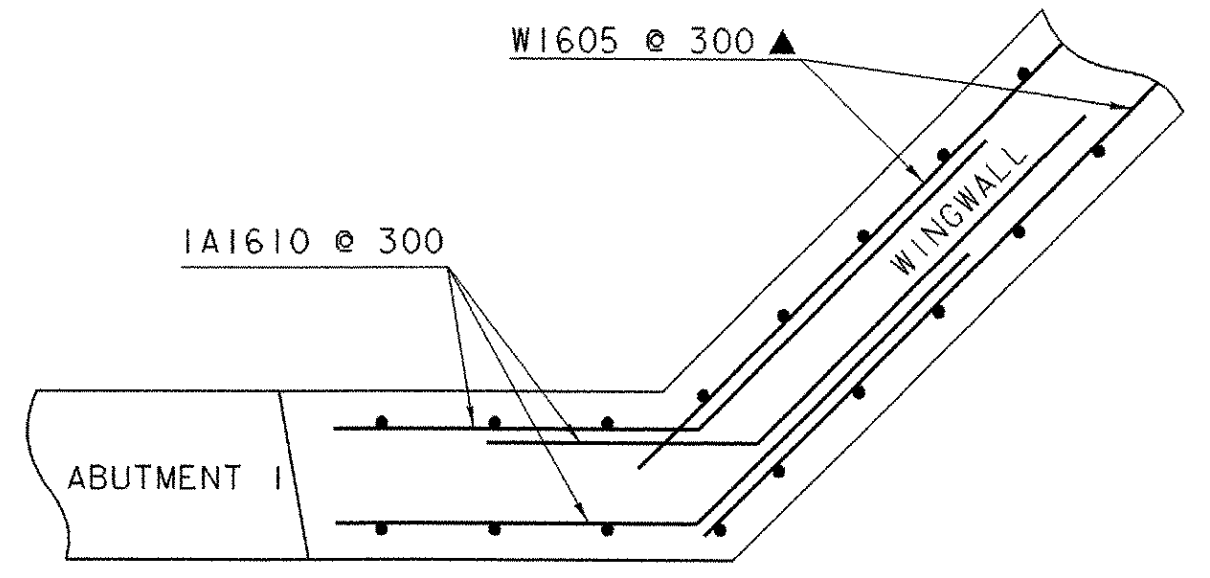


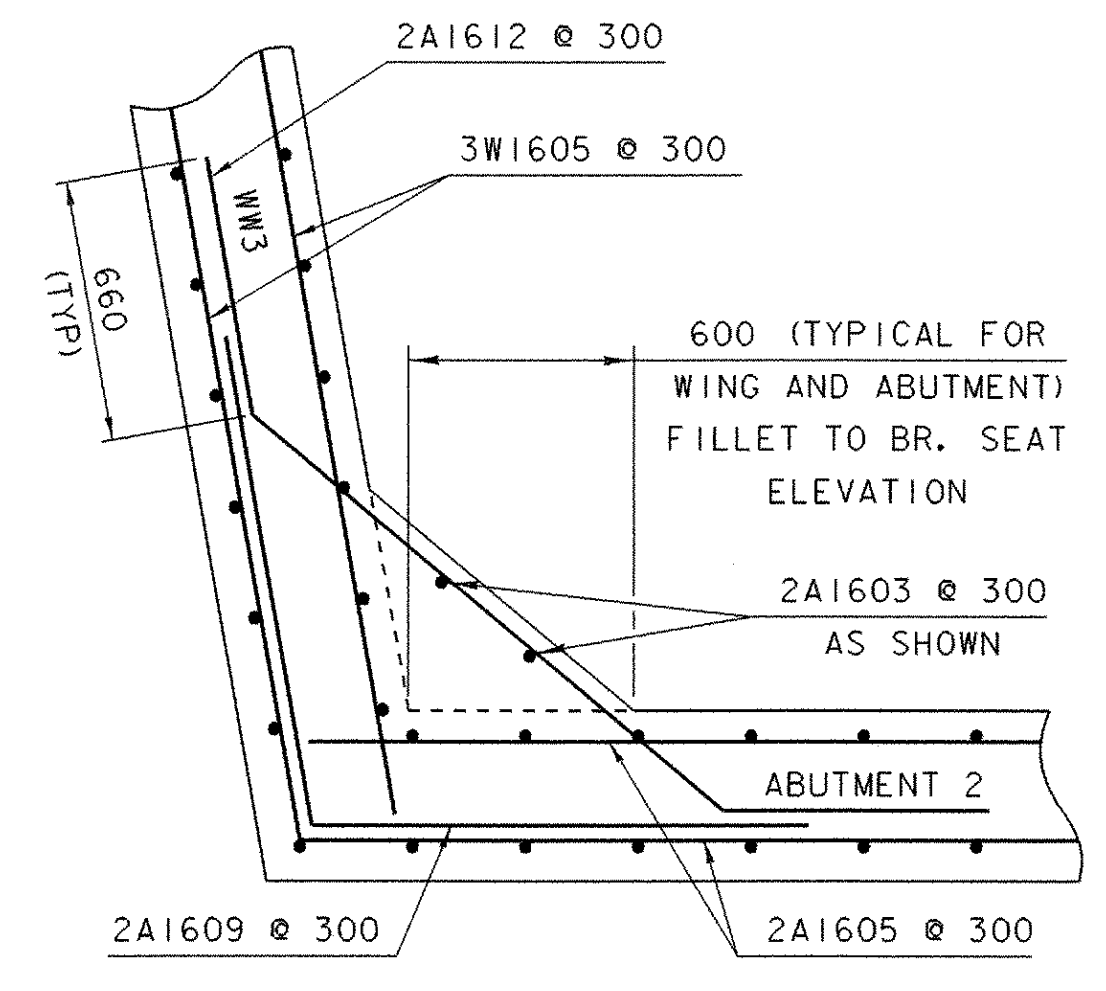
**WINGWALL 1 & 2
CORNER DETAIL
BELOW BRIDGE SEAT**
nts



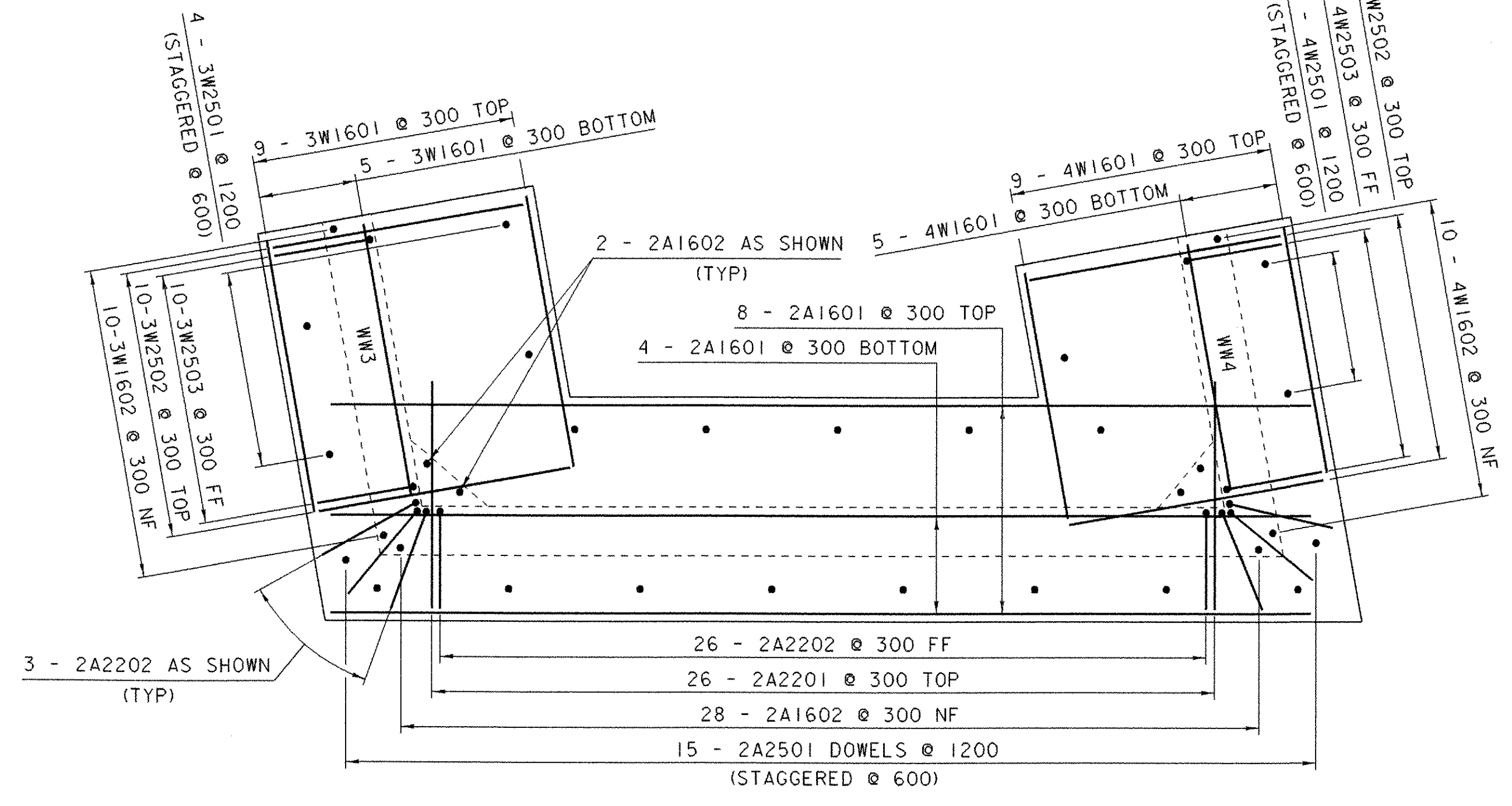
ABUTMENT NO. 1 PLAN
0 1 2 3 4
SCALE = 1:40



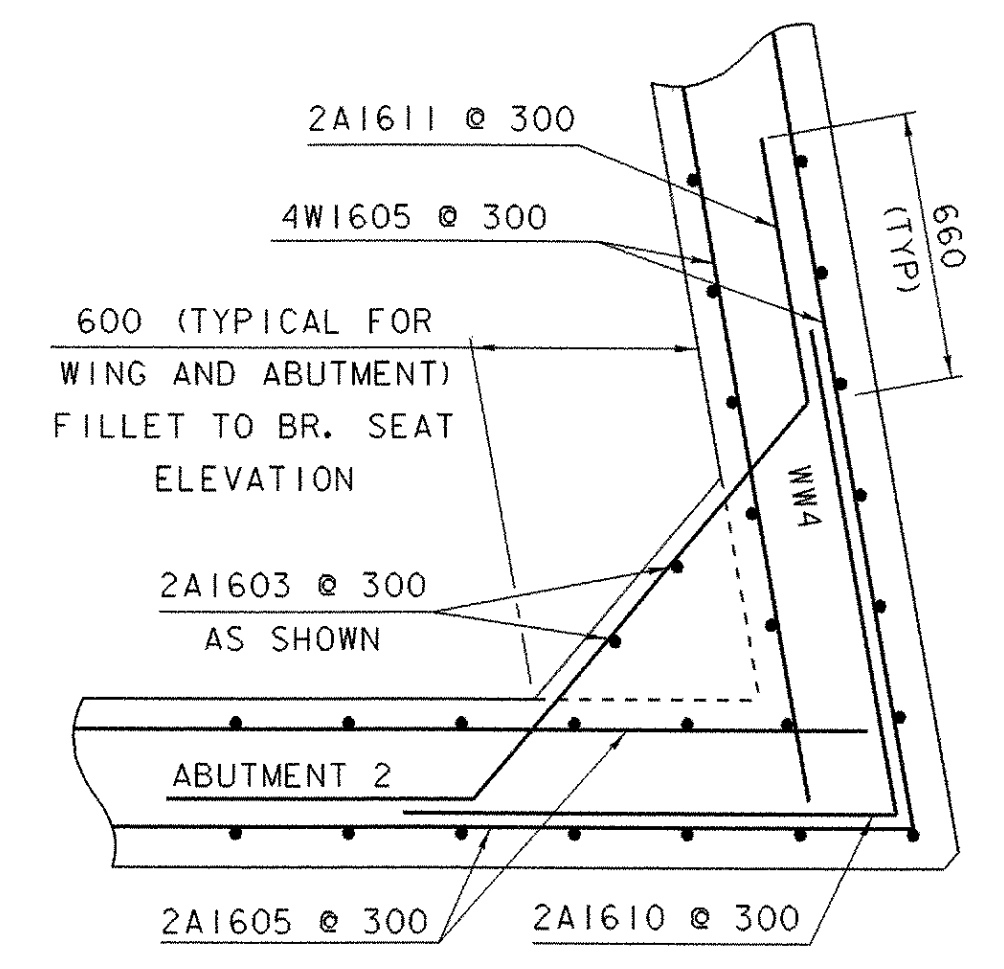
**WINGWALL 1 & 2
CORNER DETAIL
ABOVE BRIDGE SEAT**
nts



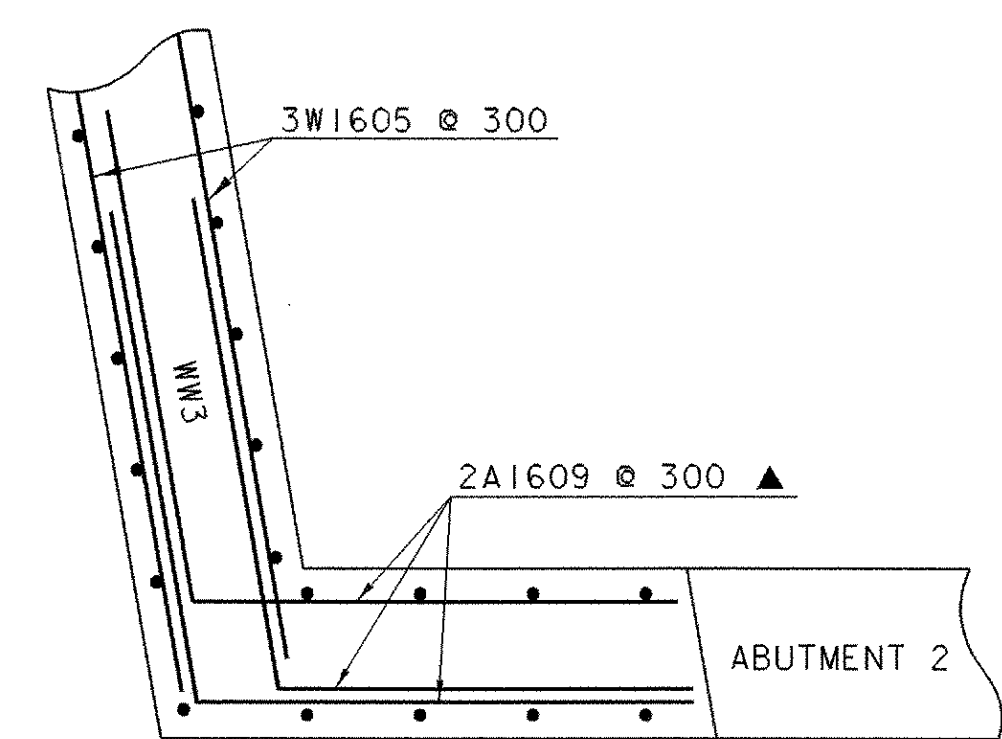
**WINGWALL 3
CORNER DETAIL
BELOW BRIDGE SEAT**
nts



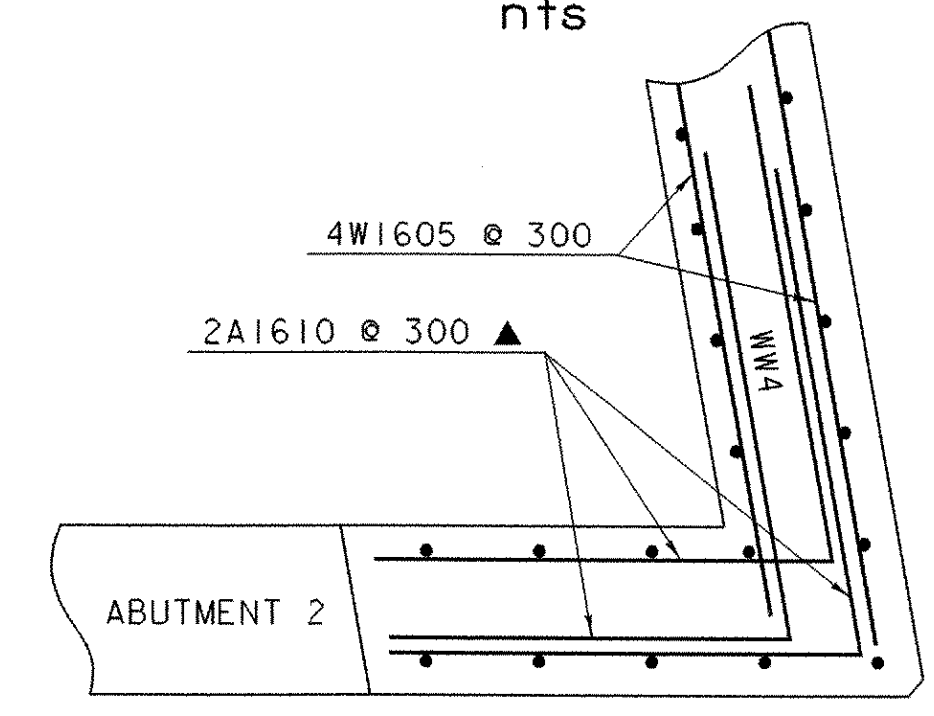
ABUTMENT NO. 2 PLAN
0 1 2 3 4
SCALE = 1:40



**WINGWALL 4
CORNER DETAIL
BELOW BRIDGE SEAT**
nts



**WINGWALL 3
CORNER DETAIL
ABOVE BRIDGE SEAT**
nts



**WINGWALL 4
CORNER DETAIL
ABOVE BRIDGE SEAT**
nts

NOTE:
NF = NEAR FACE
FF = FAR FACE
EF = EACH FACE
▲ = CUT TO FIT IN FIELD
80 CLR. UNLESS OTHERWISE
SPECIFIED ON THE PLANS.
ALL LAPS NOT DETAILED
SHALL BE 660.

PROJECT: VERSHIRE	PROJECT NO.: BRO 1444 (32)
DESIGN FILE NAME: /93j027/structures/sj027sub.dgn	PLOT DATE: 24-FEB-2006
IPARM FILE NAME: sj027ftg.i	DRAWN BY: P. K. PERRY
DESIGNED BY: P. K. PERRY	CHECKED BY: K. M. HIGGINS
SQUAD LEADER: C. P. WILLIAMS	SHEET: 16 OF 34
FOOTING REINFORCING DETAILS	