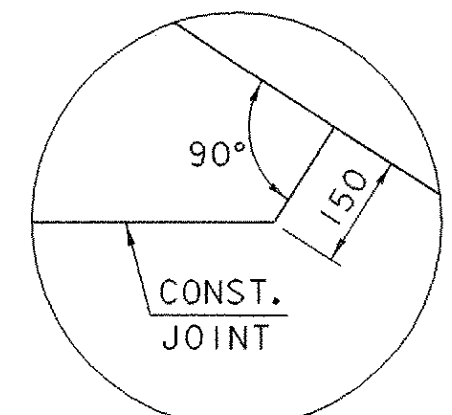


ABUTMENT NO. 1 PLAN

0 1 2 3 4

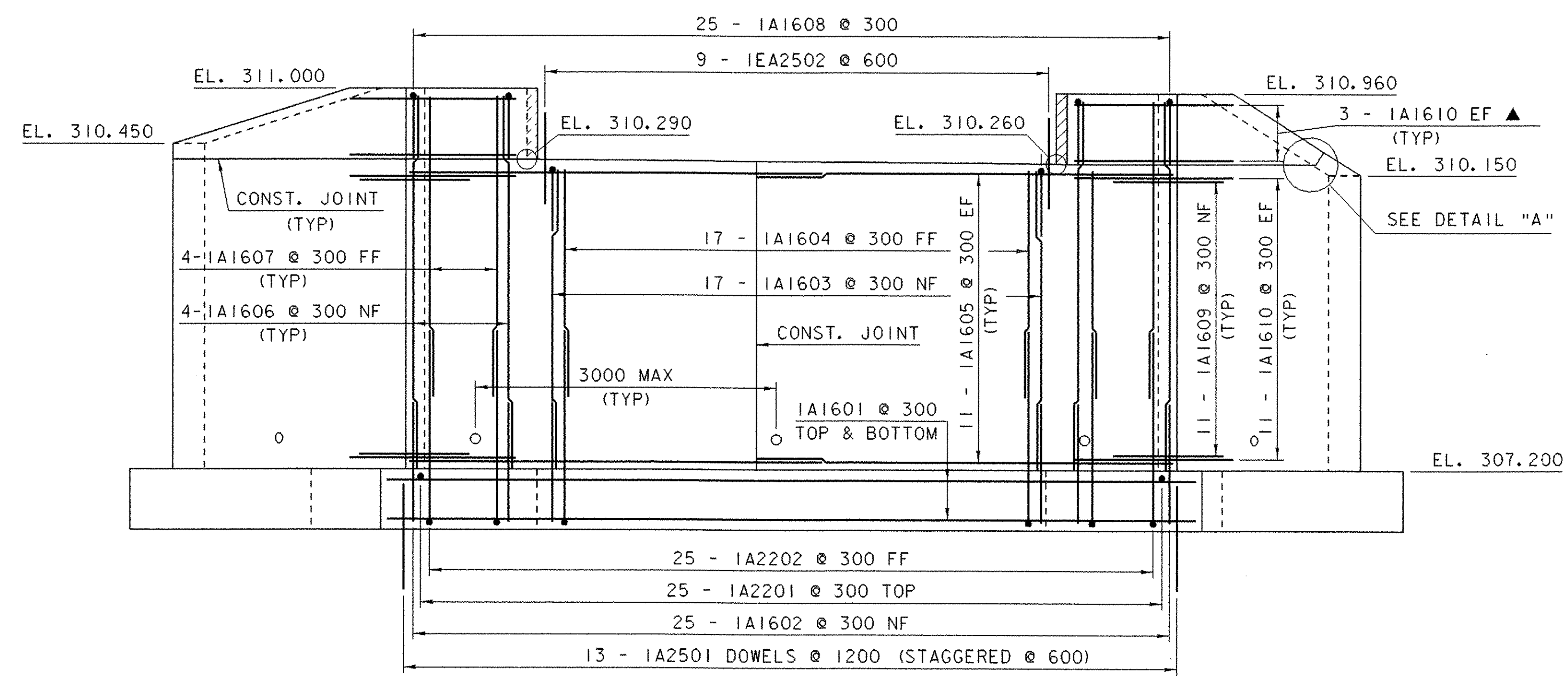
SCALE = 1:40



DETAIL "A"

0 0.5 1

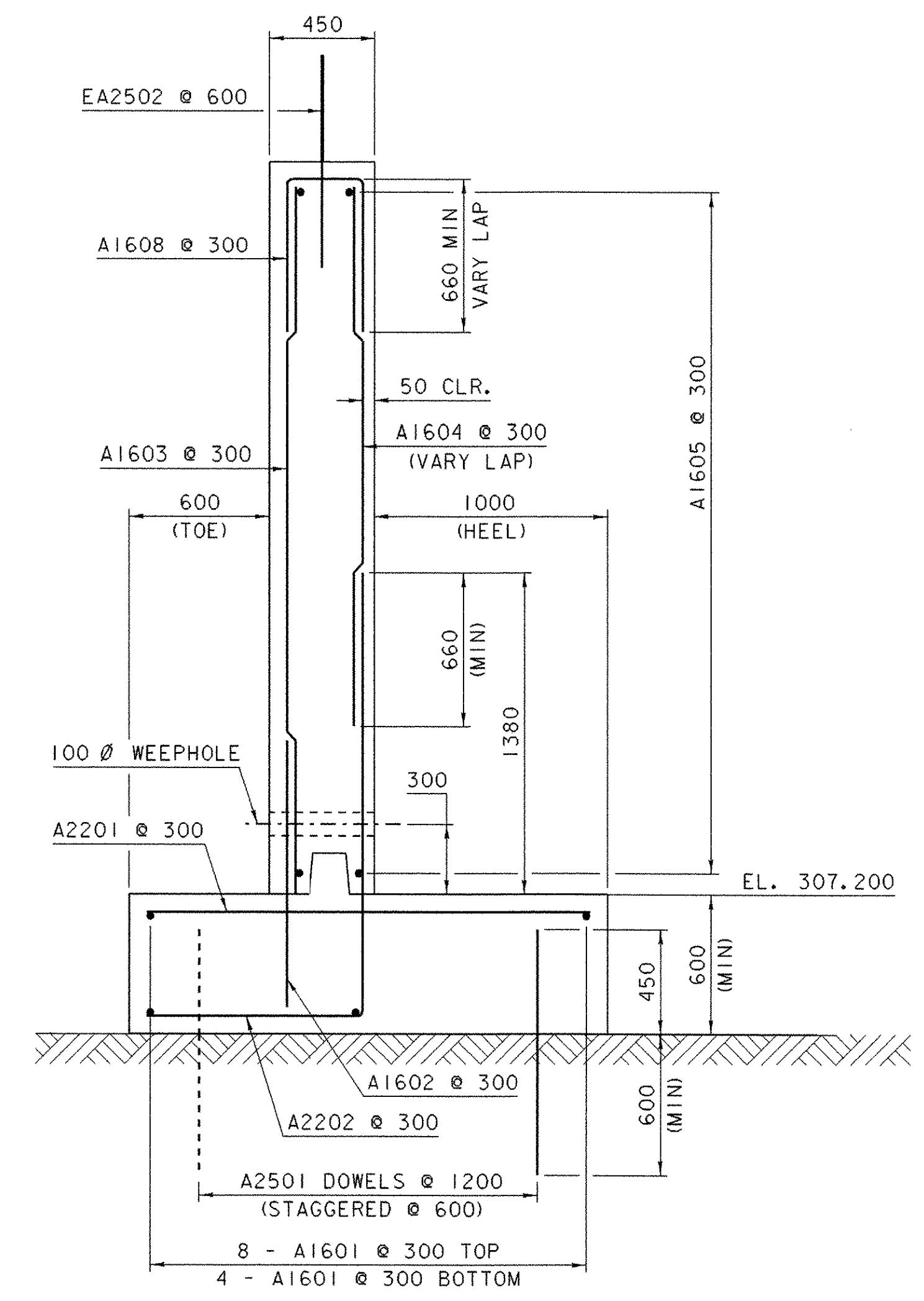
SCALE = 1:10



ABUTMENT NO. 1 ELEVATION

0 1 2 3 4

SCALE = 1:40



NOTE:
THE TOP OF FOOTING ELEVATION WAS DETERMINED BASED ON SURVEY INFORMATION AND EXPOSED LEDGE WITHIN THE STREAM. THE ELEVATION AND GEOMETRY SHOWN REPRESENT THE LOWEST LEDGE ELEVATION EXPECTED. SEE GENERAL NOTES (SUBSTRUCTURES ON LEDGE) FOR MORE INFORMATION.

ABUTMENT TYPICAL SECTION

0 1 2

SCALE = 1:20

NOTE:
NF = NEAR FACE
FF = FAR FACE
EF = EACH FACE
▲ = CUT TO FIT IN FIELD
80 CLR. UNLESS OTHERWISE SPECIFIED ON THE PLANS.
ALL LAPS NOT DETAILED SHALL BE 660.
SEE SHEET 16 FOR CORNER DETAILS.

PROJECT: VERSHIRE	PROJECT NO.: BRO 1444 (32)
DESIGN FILE NAME: /93j027/structures/sj027sub.dgn	PLOT DATE: 24-FEB-2006
IPARM FILE NAME: sj027abi.i	DRAWN BY: P.K.PERRY
DESIGNED BY: P.K.PERRY	CHECKED BY: K.M.HIGGINS
SQUAD LEADER: C.P.WILLIAMS	SHEET: 14 OF 34
ABUTMENT NO. 1 DETAILS	