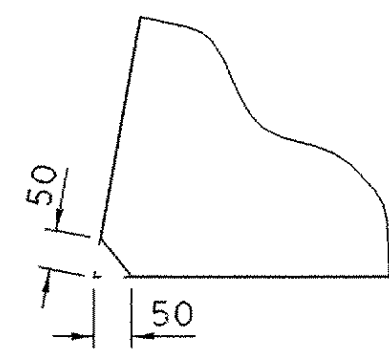
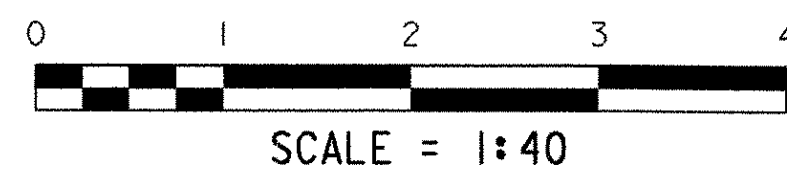
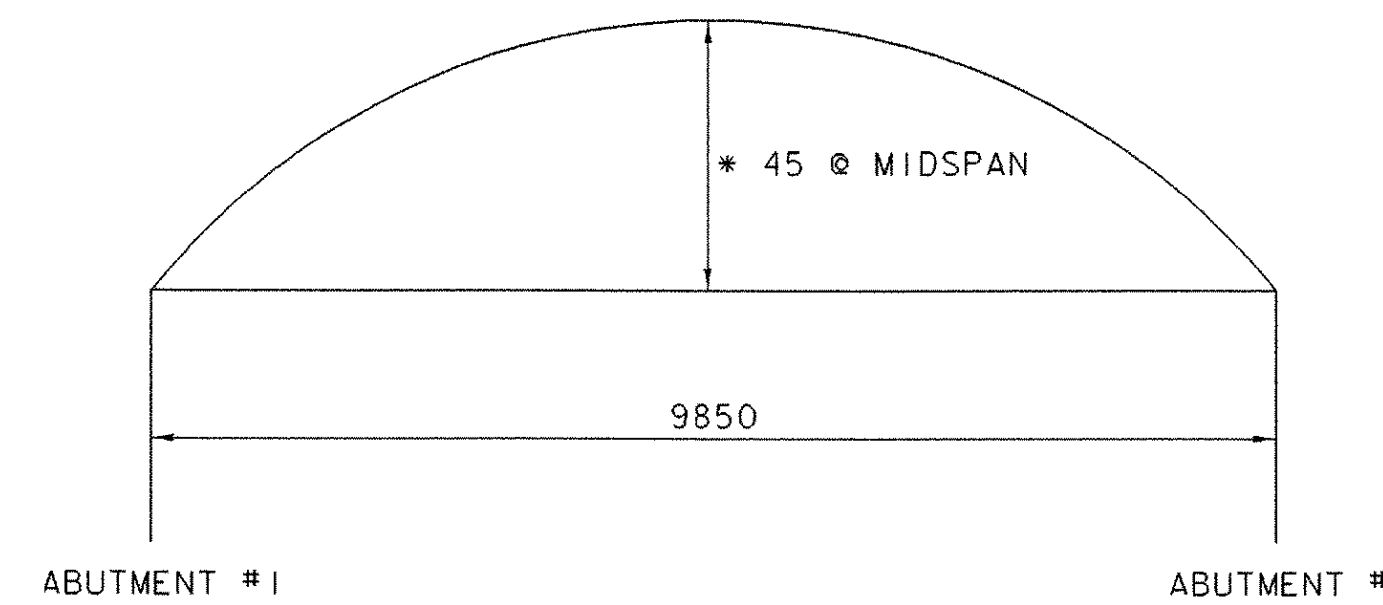
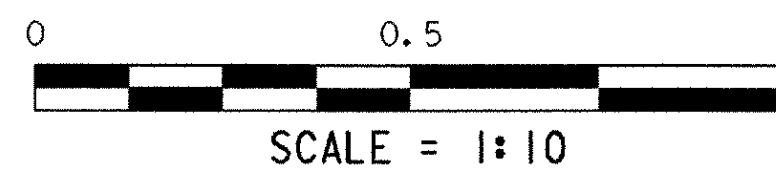


BRIDGE PLAN

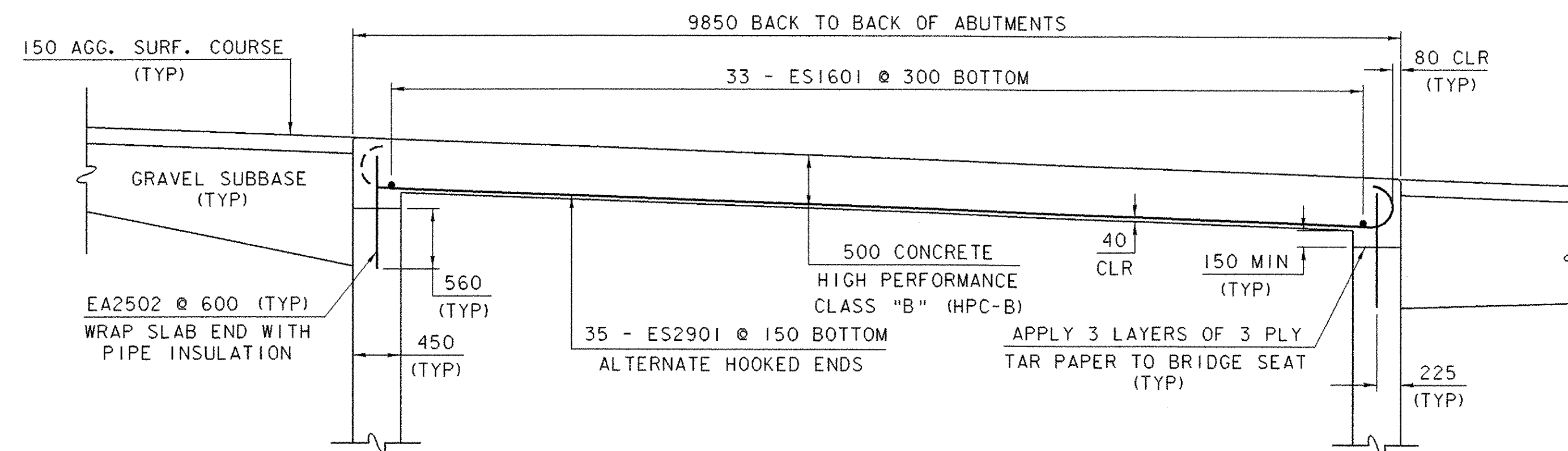


ACUTE CORNER DETAIL

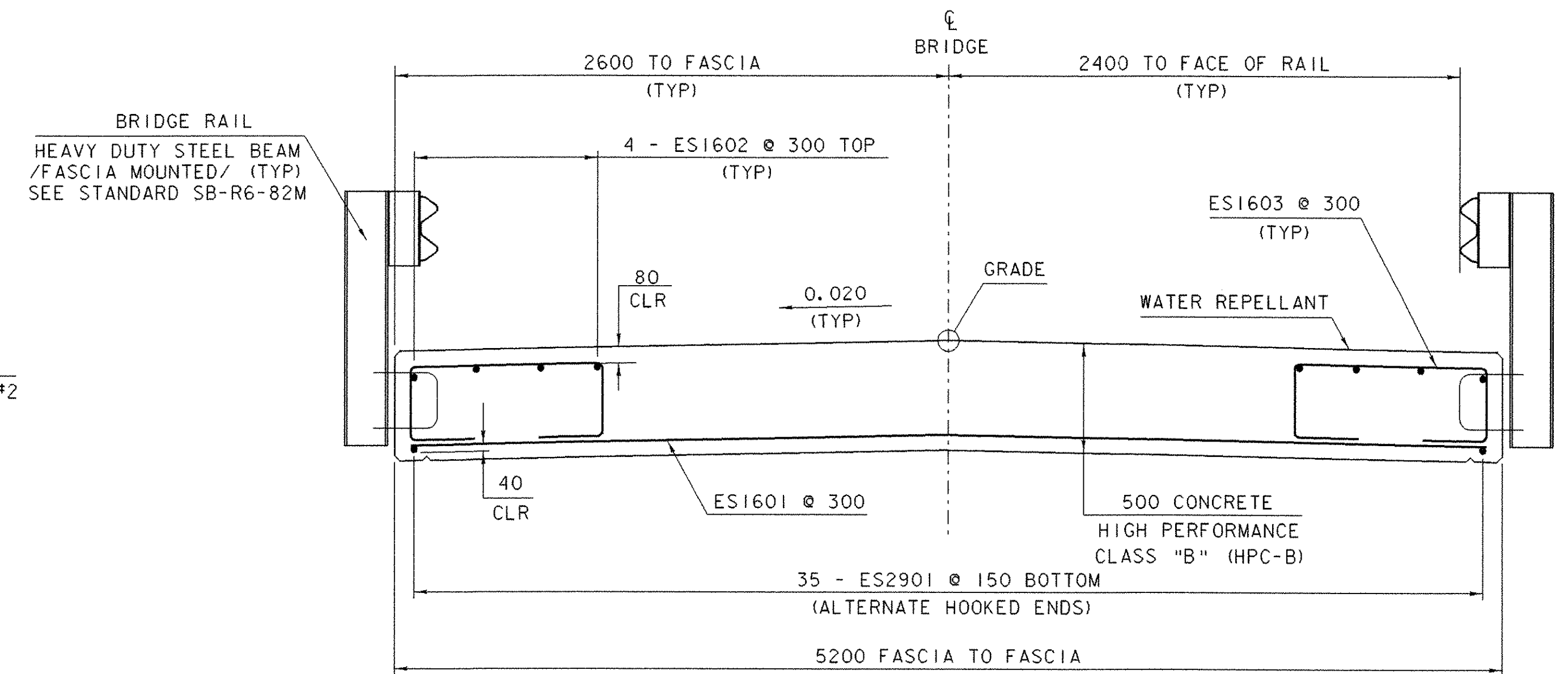
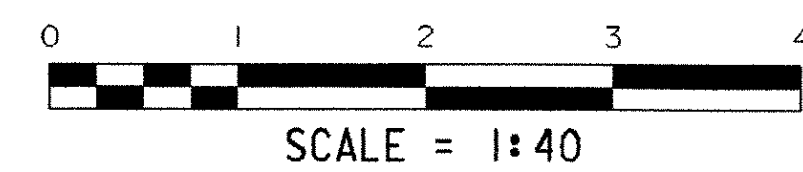


**CAMBER
NTS**

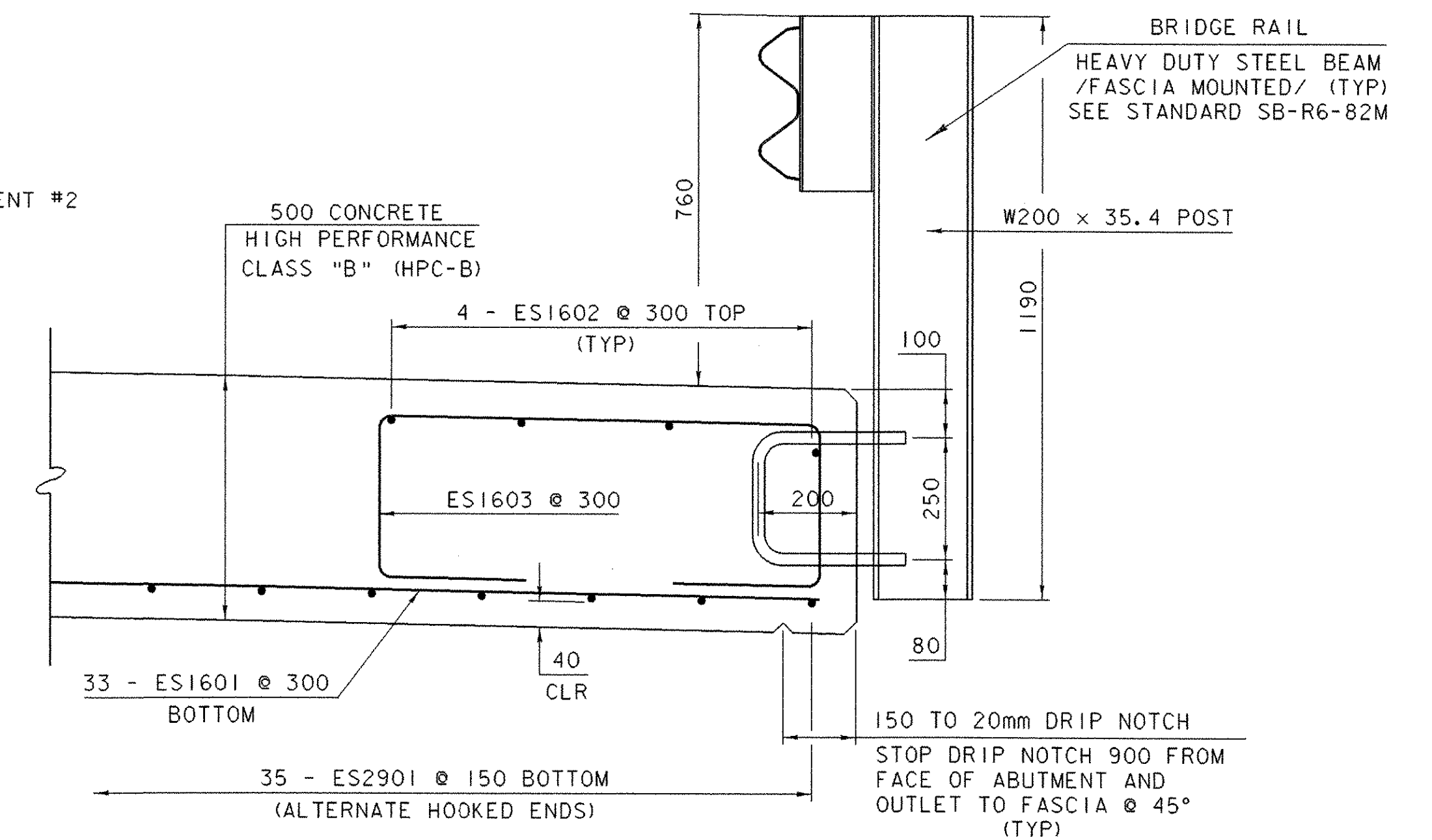
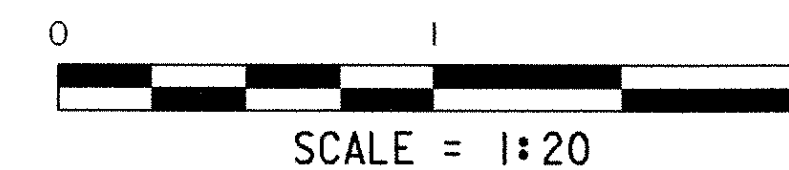
* SET CONSTRUCTION FORMS TO THIS CAMBER
CAMBER SHALL APPROXIMATE A CIRCULAR CURVE



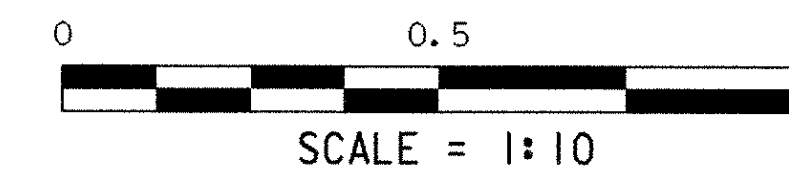
ELEVATION ALONG ROADWAY



BRIDGE TYPICAL SECTION



FASCIA & RAILING DETAILS



PROJECT: VERSHIRE	PROJECT NO.: BRO 1444 (32)
DESIGN FILE NAME: /93j027/structures/sj027sup.dgn	PLOT DATE: 24-FEB-2006
IPARM FILE NAME: sj027sup.i	DRAWN BY: P. K. PERRY
DESIGNED BY: P. K. PERRY	CHECKED BY: K. M. HIGGINS
SQUAD LEADER: C. P. WILLIAMS	SHEET: 13 OF 34
SLAB DETAILS	