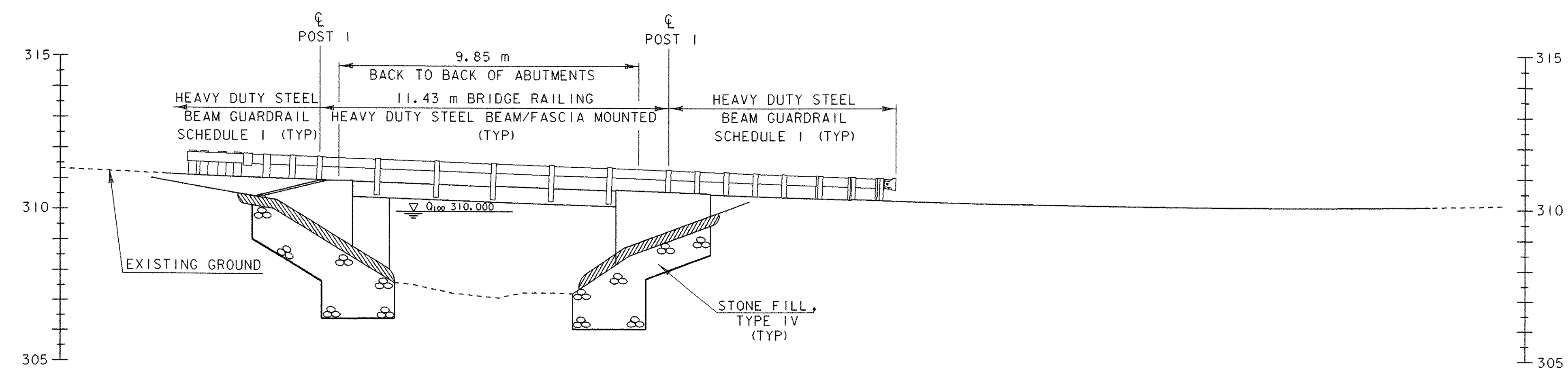
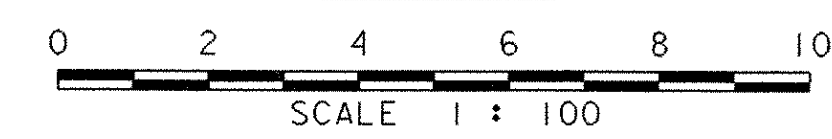
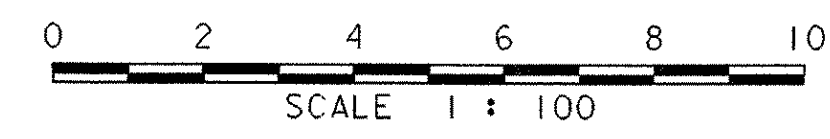


PLAN



ELEVATION AT DOWNSTREAM FASCIA



PROJECT: VERSHIRE	PROJECT NO.: BRO 1444(32)
DESIGN FILE NAME: /str4/93j027/sj027pe.dgn	PLOT DATE: 24-FEB-2006
IPARM FILE NAME: sj027pe.i	SURVEY DATE: 11/94
SURVEYED BY: R. MOREAU	DRAWN BY: P.G. JARVIS
SQUAD LEADER: C.P. WILLIAMS	SHEET: 11 OF 34
PLAN AND ELEVATION	