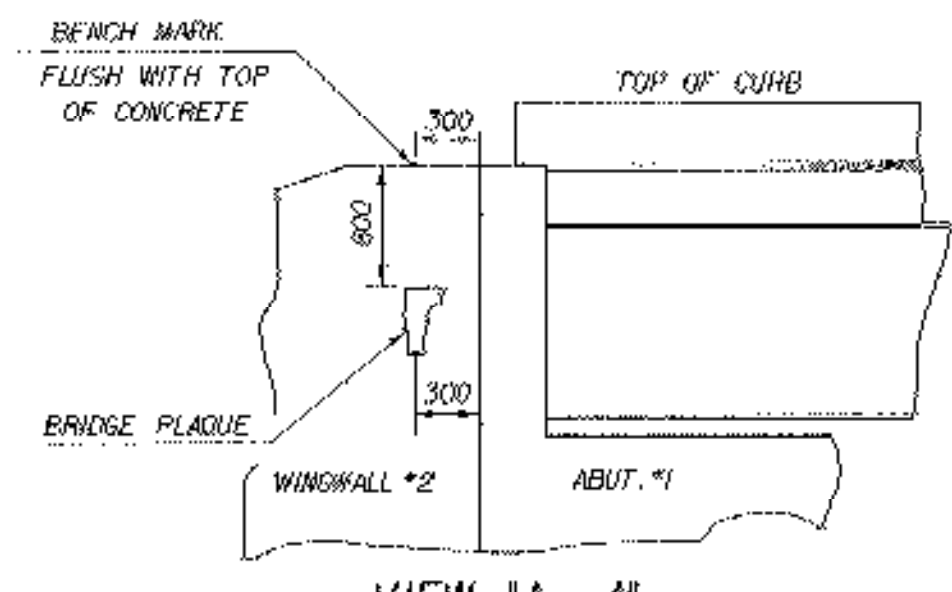
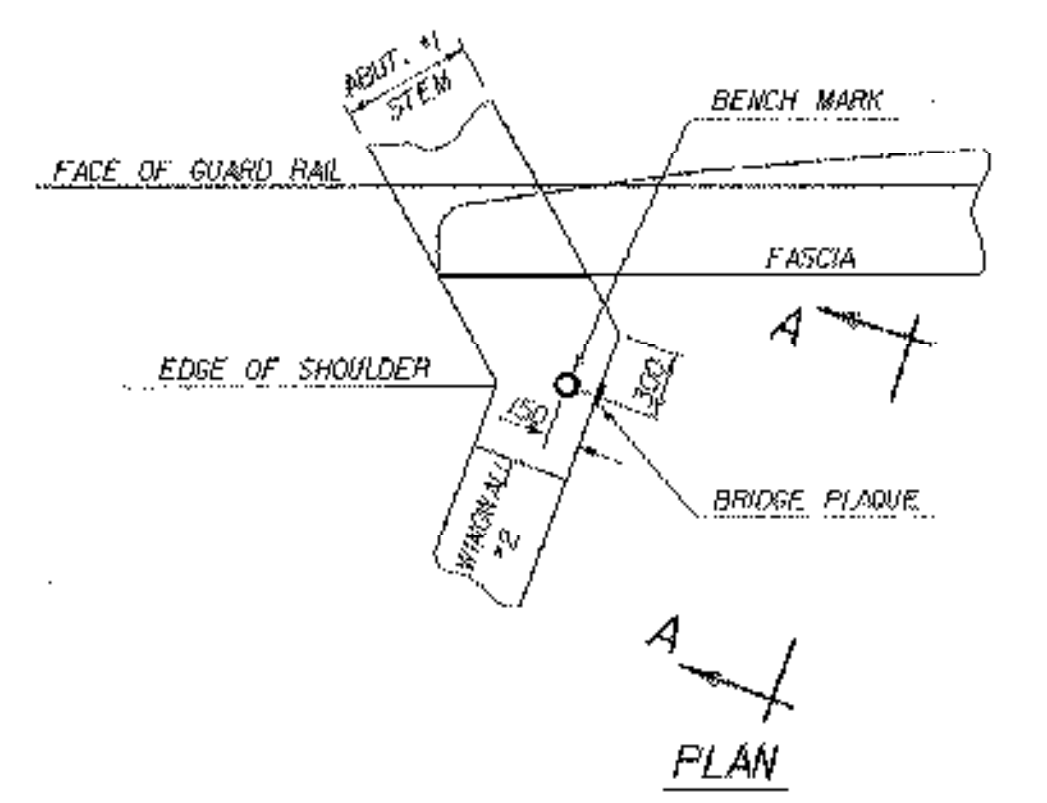




BRIDGE QUANTITY SHEET



**LOCATE BENCH MARK
AND BRIDGE PLAQUE**

THE BENCH MARK AND BRIDGE PLAQUE WILL BE SUPPLIED BY THE AGENCY OF TRANSPORTATION AND SHALL BE INSTALLED BY THE CONTRACTOR AT ABUTMENT #1 ON THE RIGHT SIDE AS SHOWN OR AS DIRECTED BY THE ENGINEER.

* (NABI) = NOT A BID ITEM

ITEM NO.	ITEM	UNIT	QUANTITY BREAKDOWN												TOTAL	FINAL
			BRIDGE 20	BRIDGE 14												
201.10	CLEARING AND GRUBBING (INCLUDING INDIVIDUAL TREES AND STUMPS)	LS	0.60	0.40											1.0	
203.15	COMMON EXCAVATION	m ³	1080	160											1240	
203.16	SOLID ROCK EXCAVATION	m ³	50												50	
203.27	UNCLASSIFIED CHANNEL EXCAVATION	m ³	80												80	
203.31	SAND BORROW	m ³	950	370											1320	
203.32	GRANULAR BORROW	m ³	50	50											100	
204.20	TRENCH EXCAVATION OF EARTH	m ³	100	10											110	
204.30	GRANULAR BACKFILL FOR STRUCTURES MOD	m ³	410	280											690	
204.40	COFFERDAMS (STA 1+330)	LS		1											1	
204.40	COFFERDAMS (STA 1+337.5)	LS		1											1	
204.40	COFFERDAMS (STA 1+130)	LS		1											1	
204.40	COFFERDAMS (STA 1+142)	LS		1											1	
301.35	SUBBASE DENSE GRADED CRUSHED STONE	m ³	720	310											1030	
401.10	AGGREGATE SURFACE COURSE MOD	m ³	300	170											470	
501.25	CONCRETE, CLASS B	m ³	198	146											344	
507.15	REINFORCING STEEL	Kg	10520	8620											19140	
507.17	EPOXY COATED REINFORCING STEEL MOD	Kg	4490	2170											6660	0
514.10	WATER REPELLENT	L	53	36											89	
525.41	BRIDGE HAILING - HD58/FASCIA MOUNTED (TYPE D)	m	26.7	19.1											45.8	
529.15	REMOVAL OF STRUCTURE (STA 1+334)	EA		1											1	
529.15	REMOVAL OF STRUCTURE (STA 1+136)	EA		1											1	
** BEGIN OPTION ITEMS **																
601.0015	CSP (68mm X 13mm) <450mm - 1.63mm>	m	13												13	
601.0915	CPEP <450 mm>	m	13												13	
601.0015	CSP (68mm X 13mm) <450mm - 1.63mm>	m	15												15	
601.0915	CPEP <450 mm>	m	15												15	
** END OPTION ITEMS **																
604.25	PRC PIPE DROP INLET W/ CAST IRON GRATE	EA		1											1	
605.10	150mm UNDERDRAIN	m	90												90	
605.95	UNDERDRAIN FLUSHING BASIN	EA		1											1	
608.25	ALL PURPOSE EXCAVATOR RENTAL, TYPE I	HR	2												3	
613.10	STONE FILL, TYPE I	m ³	10	10											20	
613.11	STONE FILL, TYPE II	m ³	180												180	
613.12	STONE FILL, TYPE III	m ³	330	160											490	
621.21	HEAVY DUTY STEEL BEAM GUARD RAIL (TYPE IV)	m	132.4	78.4											210.8	
621.60	ANCHOR FOR STEEL BEAM GUARD RAIL	EA	6	4											10	
631.10	FIELD OFFICE-ENGINEERS MOD	LS	0.60	0.40											1.0	1.0
631.16	TESTING EQUIPMENT - CONCRETE	LS	0.60	0.40											1.0	1.0
631.25	FIELD OFFICE TELEPHONE (NABI)*	LS	0.60	0.40											1.0	
635.10	MOBILIZATION	LS	0.60	0.40											1.0	1.0
649.31	GEOTEXTILE UNDER STONE FILL	m ²	390	160											550	
649.51	GEOTEXTILE FOR SILT FENCE	m ²	250	120											370	
649.61	GEOTEXTILE FOR FILTER CURTAINS	m ²	170	80											250	
651.15	SEED	Kg	35	15											50	
651.17	SEED - WINTER RYE	Kg	5	5											10	
651.18	FERTILIZER	Kg	250	100											350	
651.20	AGRICULTURAL LIMESTONE	T	3	1											4	
651.25	HAY MULCH	T	3	1											4	
651.26	HAY BALES FOR EROSION CONTROL	EA	100	50											150	
651.35	TOPSOIL	m ³	80	30											110	
651.40	GRUBBING MATERIAL	m ²	490	50											540	
654.10	EROSION MATTING	m ²	30	10											40	