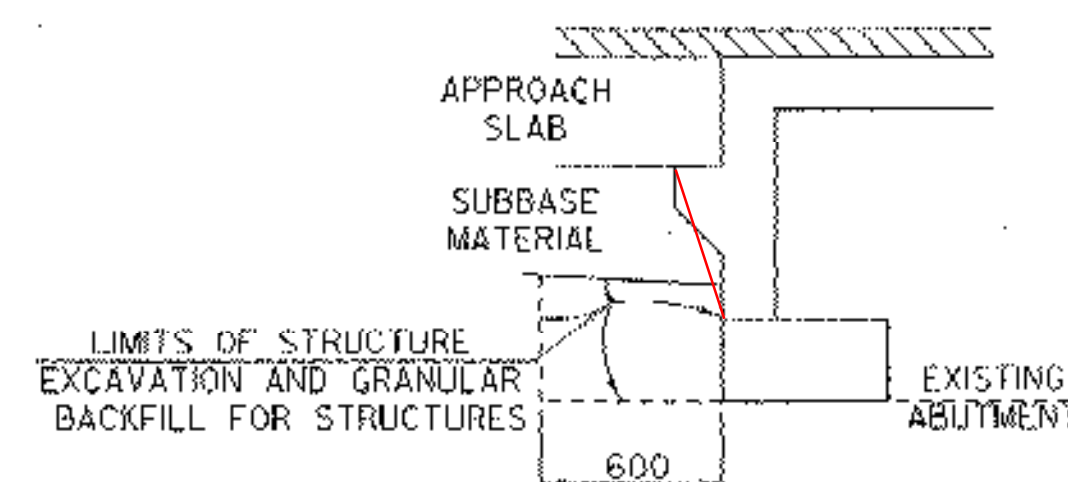
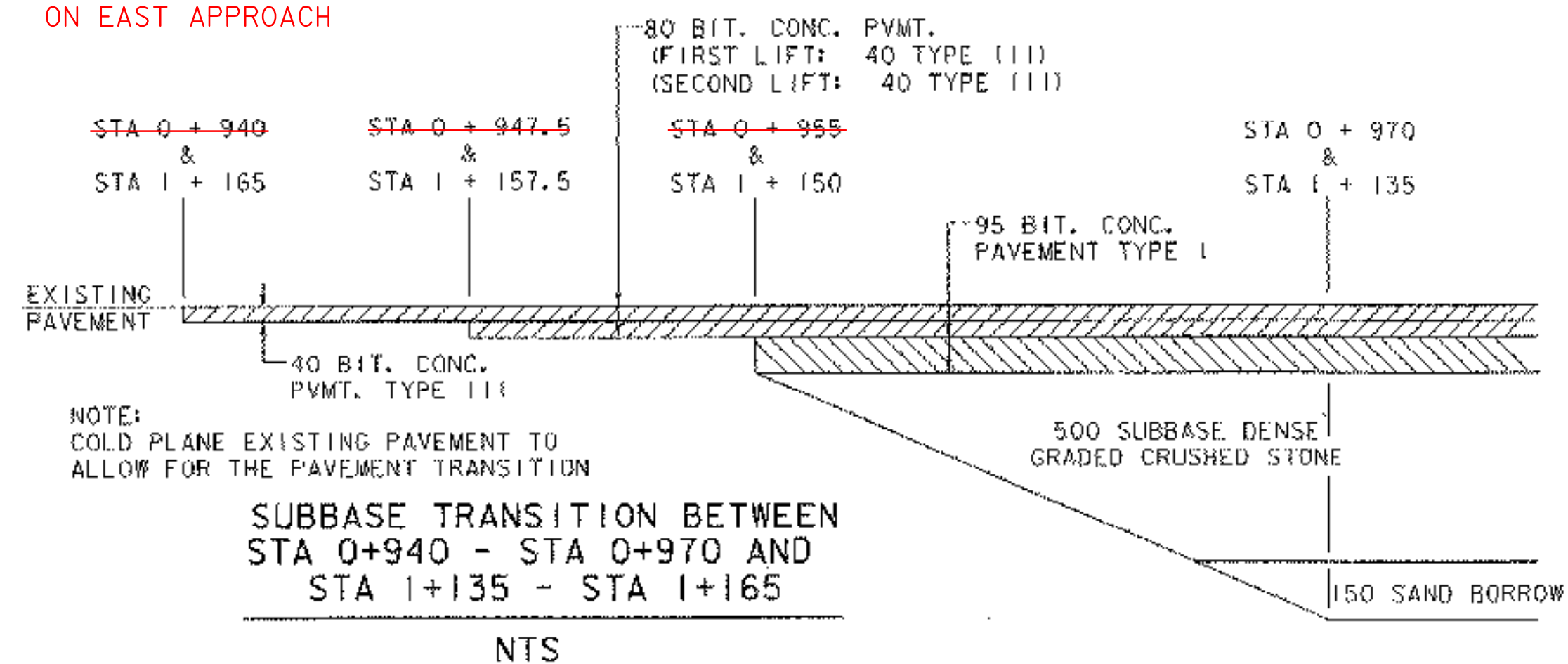
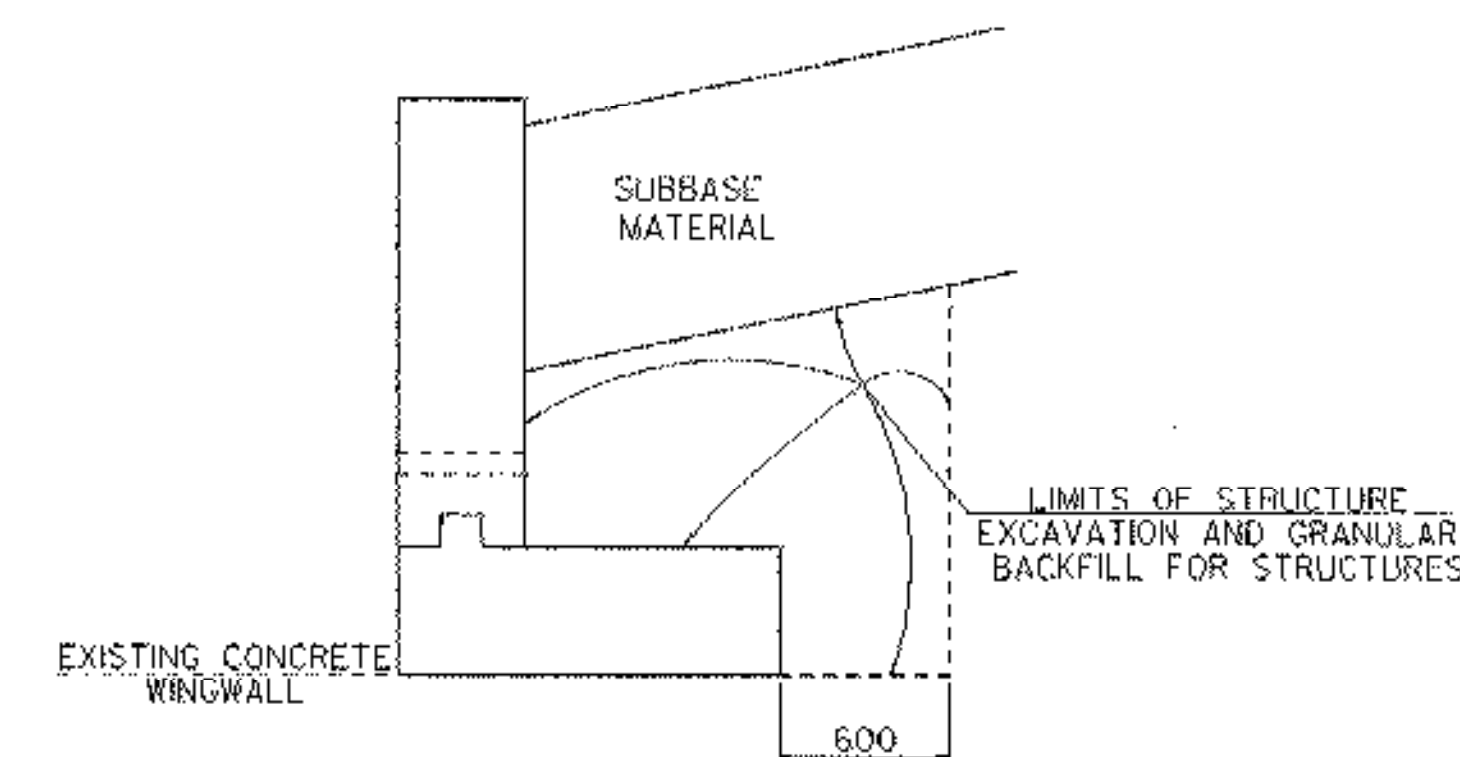


*NO COLD PLANING DONE
ON EAST APPROACH



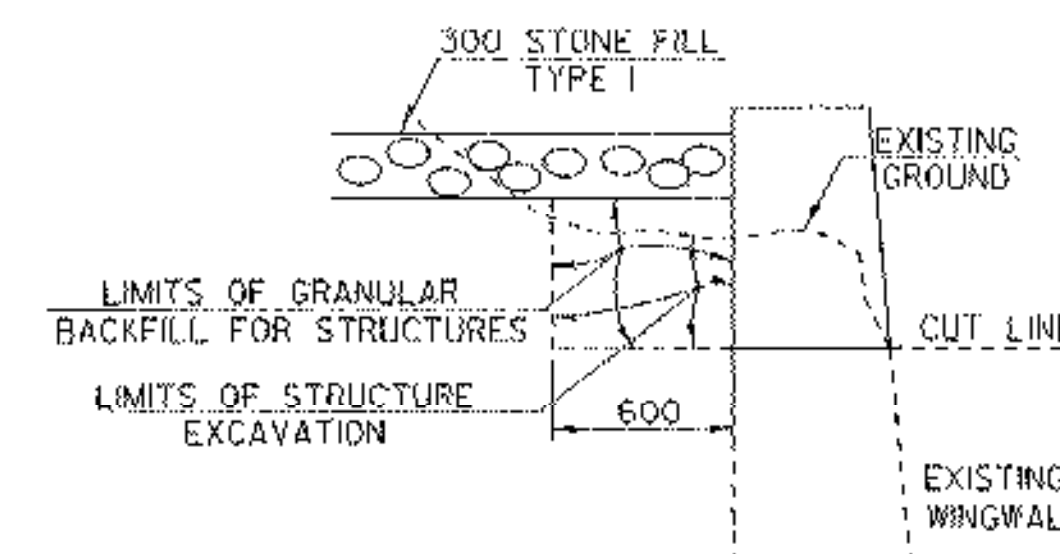
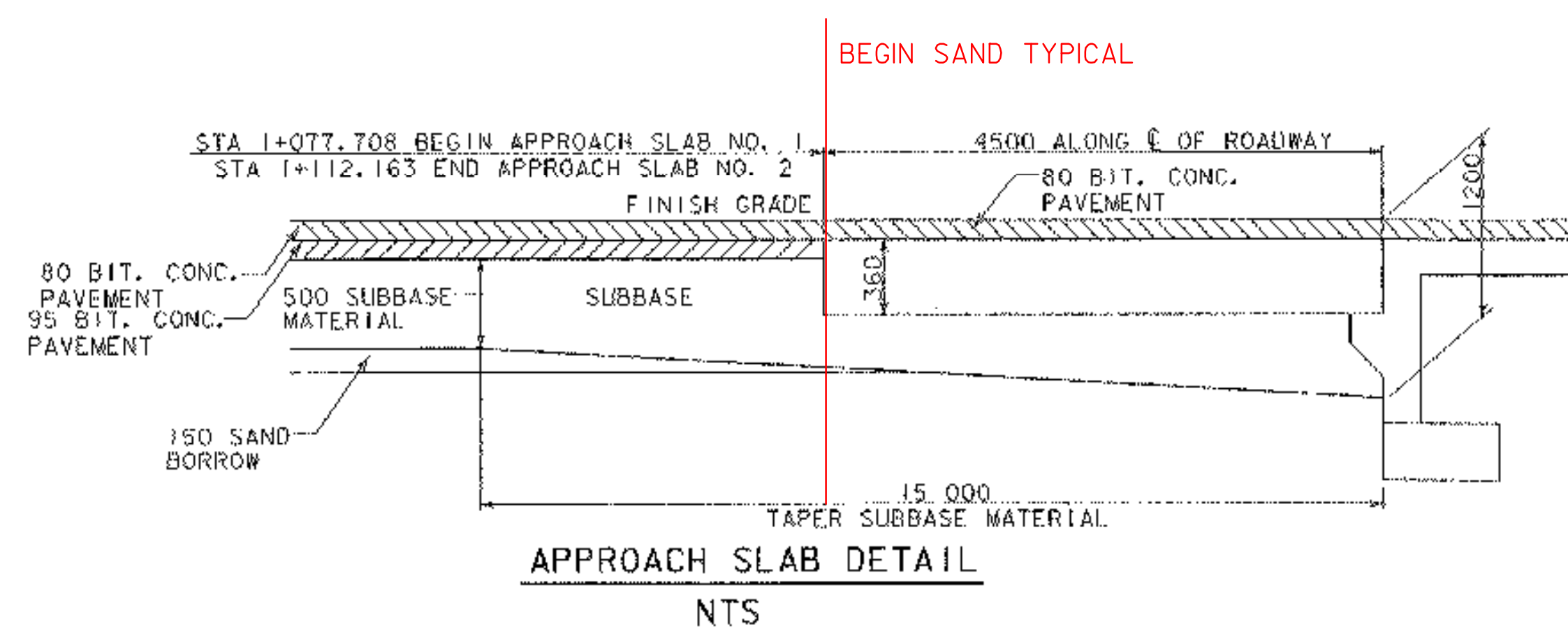
ABUTMENT NO. 1

NTS



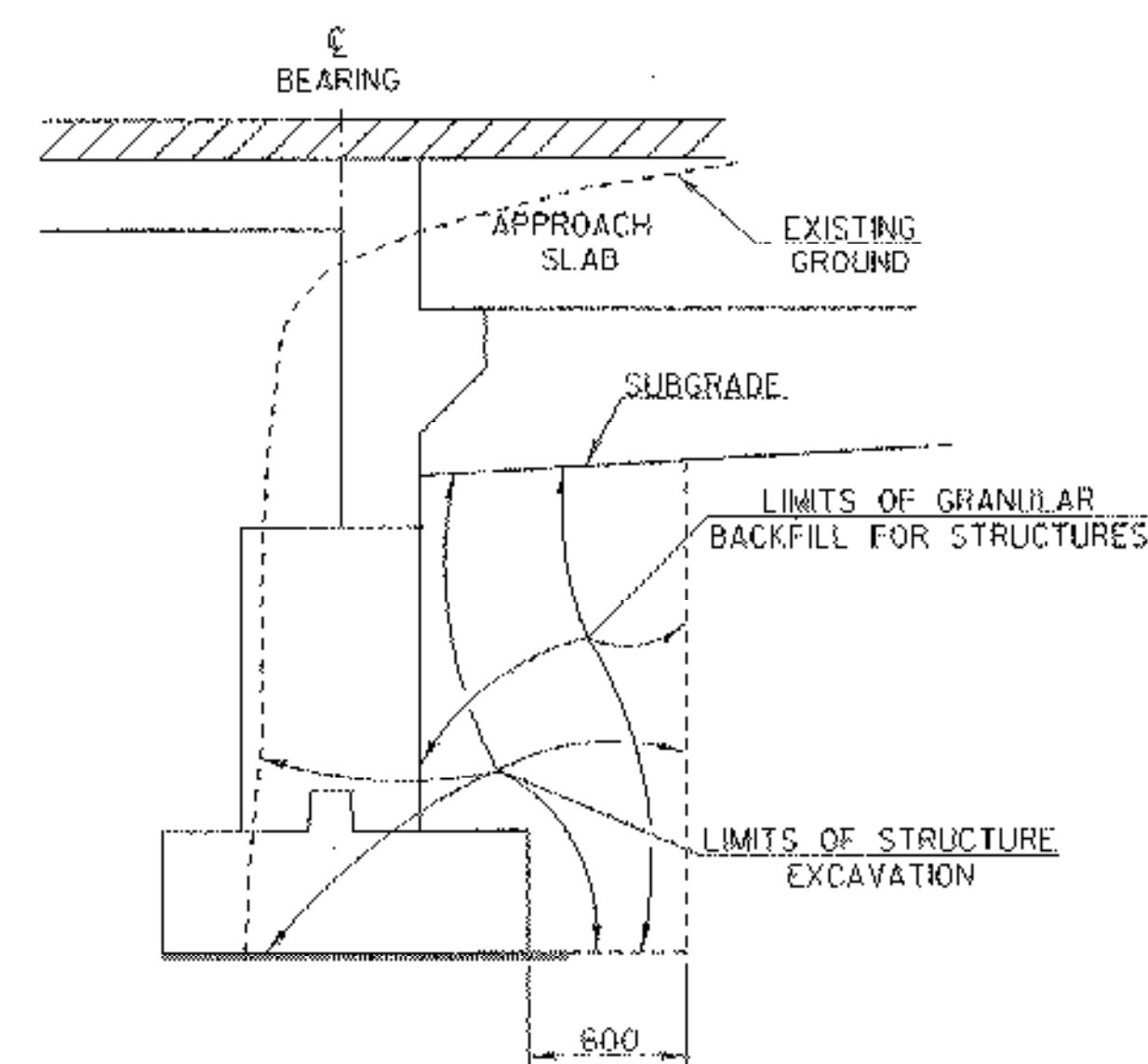
WINGWALL NO. 1

NTS



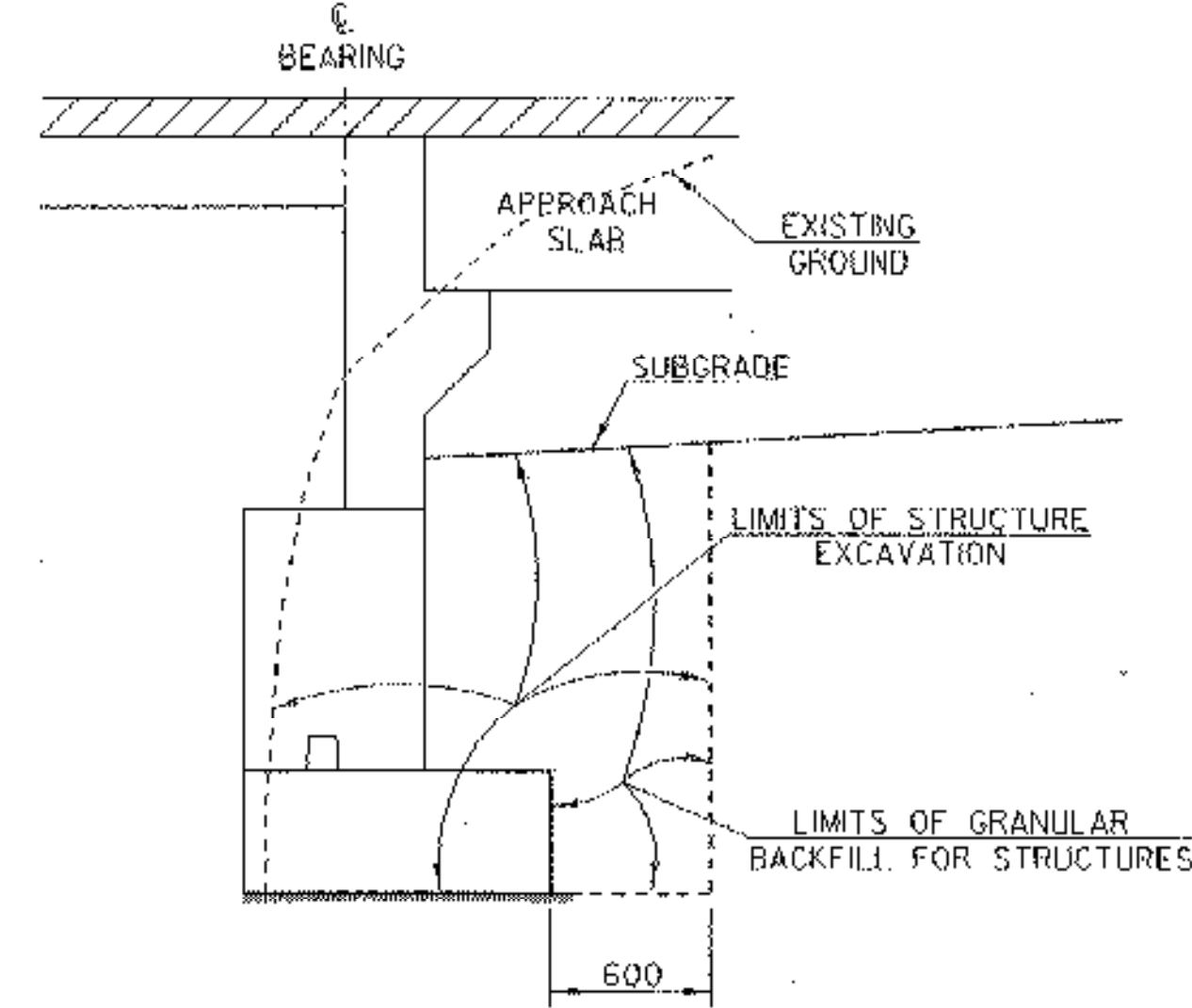
WINGWALL NO. 2

NTS



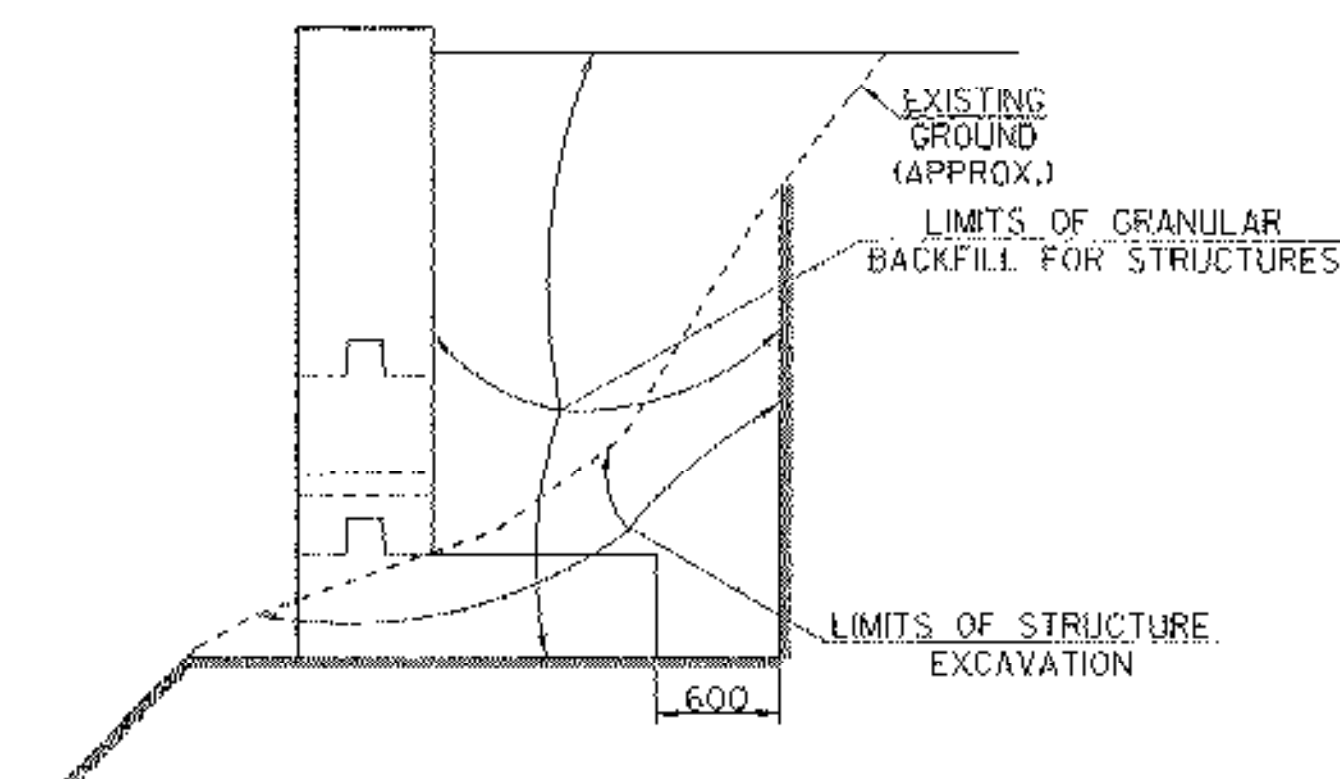
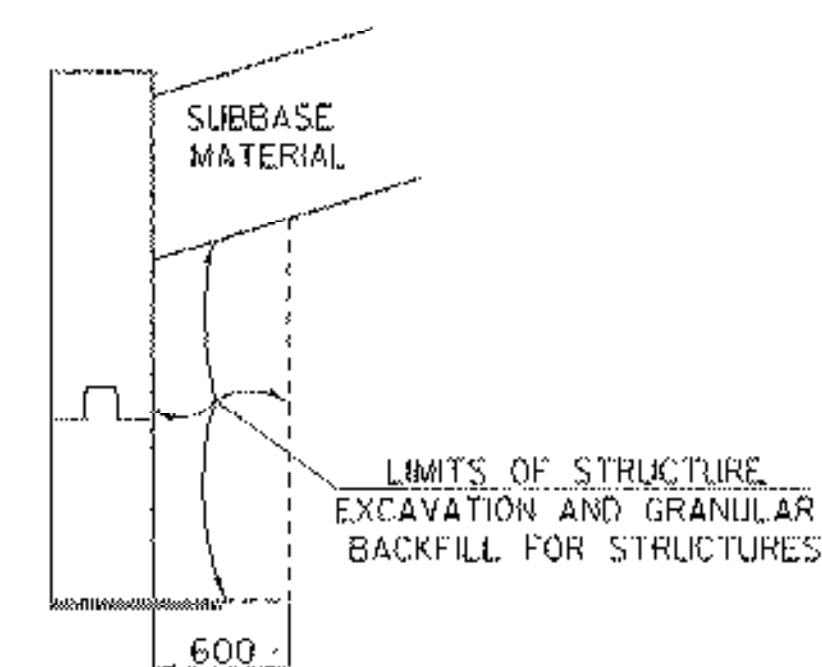
ABUTMENT NO. 2

NTS



WINGWALL NO. 3

NTS



WINGWALL NO. 4

NTS

SHEET NAME: SUBBASE TRANSITION AND EXCAVATION DETAILS	
PROJECT NAME: FAIR HAVEN-HAMPTON	HIGHWAY NO.: TH 6
PROJECT NUMBER: BRO 1443(32)	BRIDGE NO.: 6
FILE NAME: /str1/93j021/sj021x6.dgn	PLOT DATE: 28-JAN-2003
PROJECT MANAGER: G.S. ROGERS	DRAWN BY: STR
DESIGNED BY: C. MELNIER	IPARM NAME: sj021mx8.i
BRIDGE SHEET NUMBER:	SHEET 36 OF 53