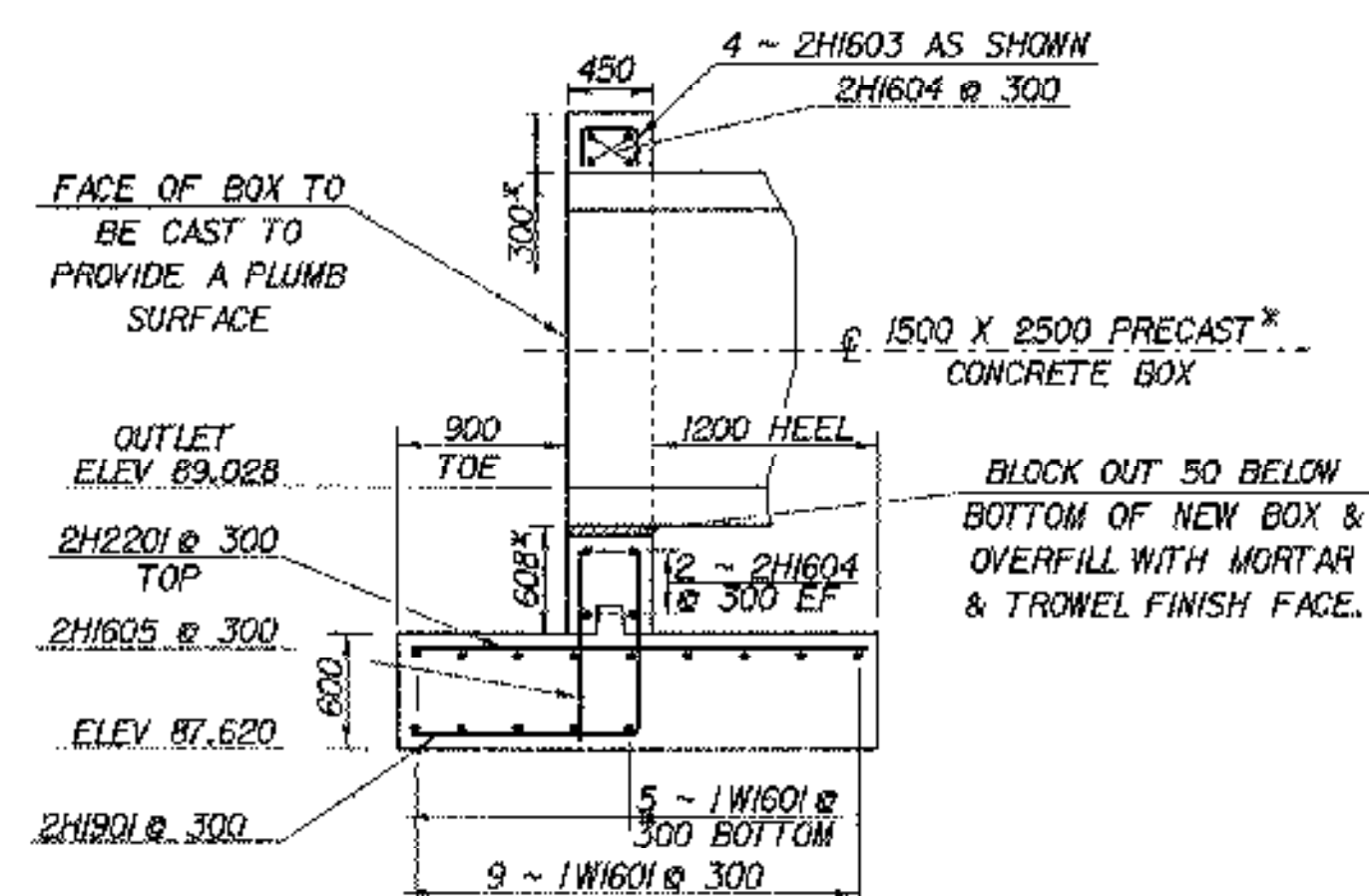
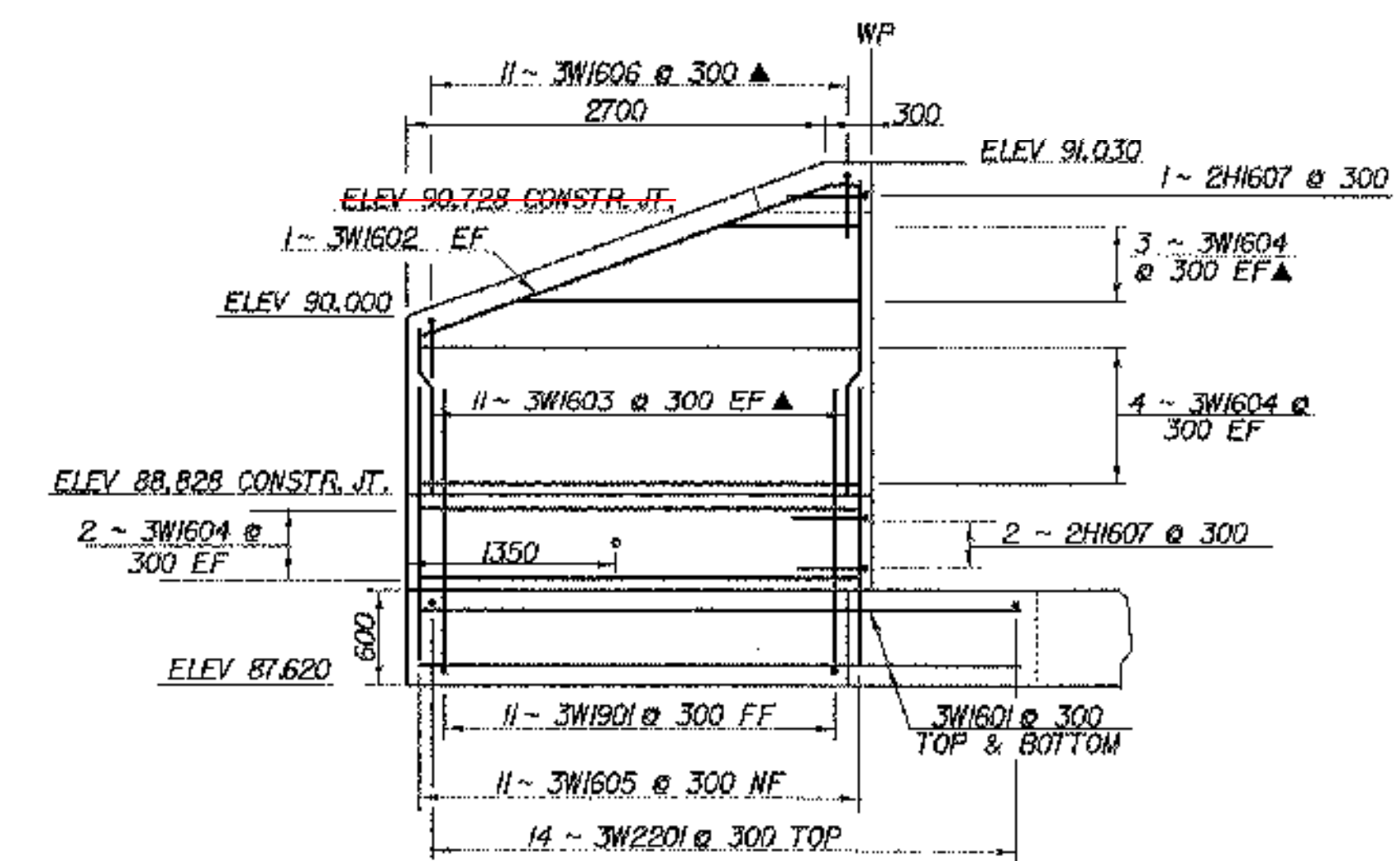


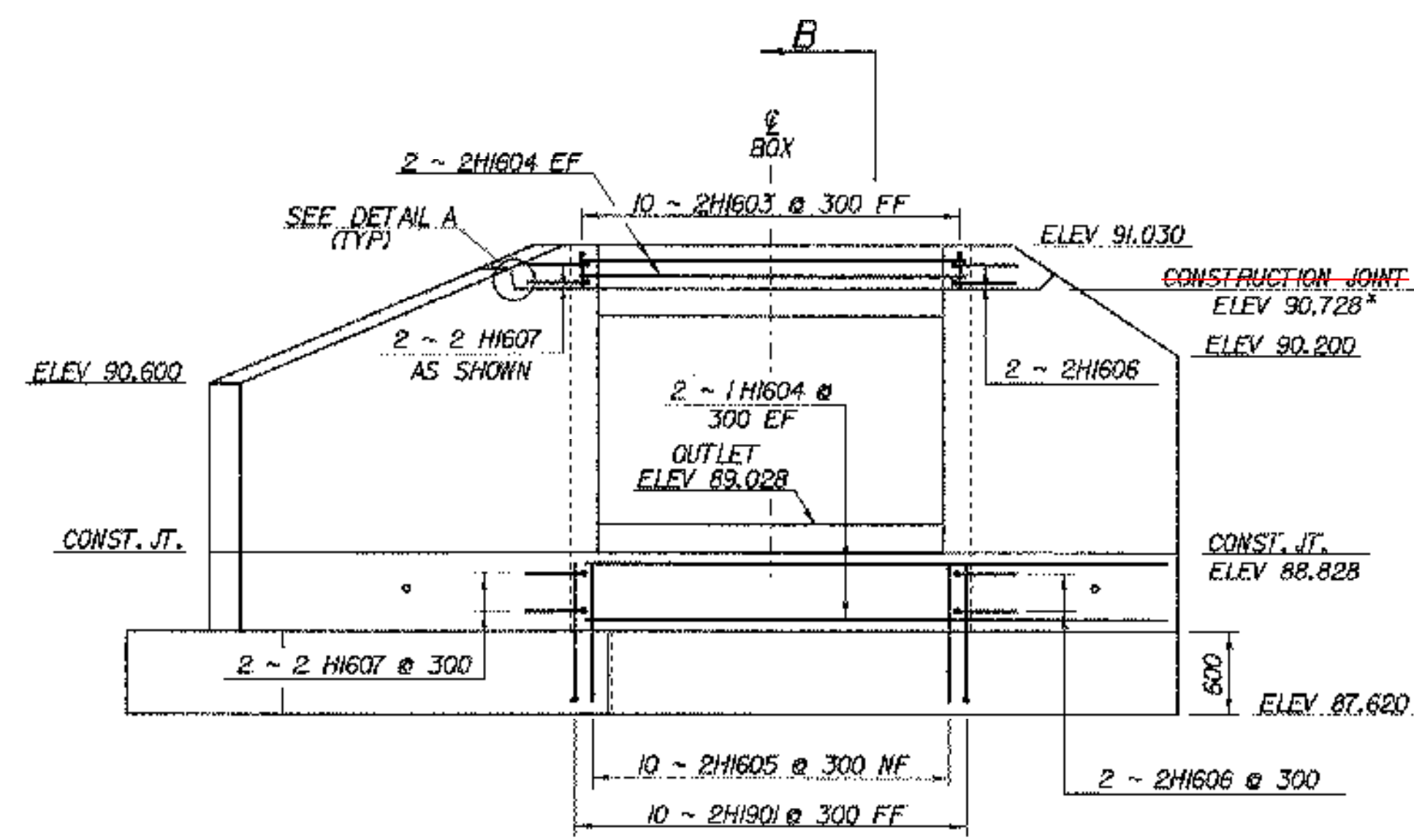
HEADWALL NO. 2 PLAN AT OUTLET
SCALE - 1:40



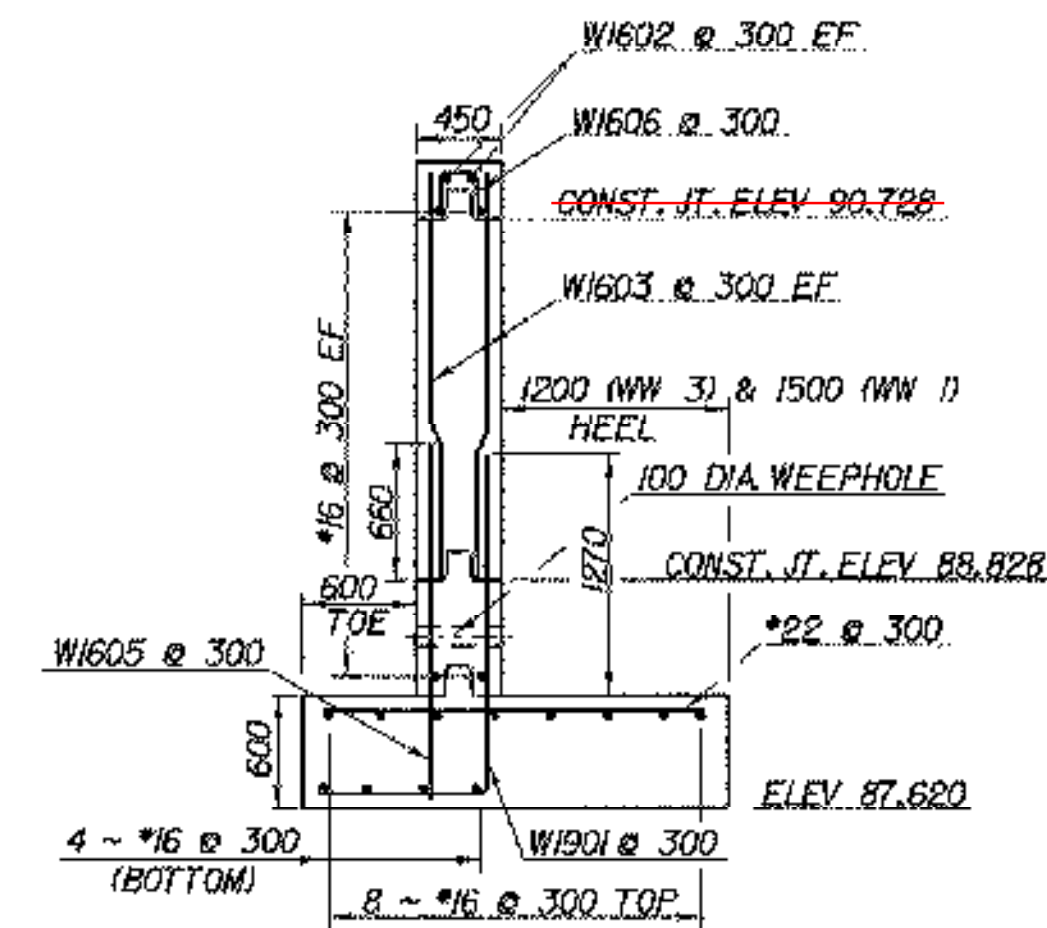
OUTLET HEADWALL SECTION B-B
SCALE - 1:40



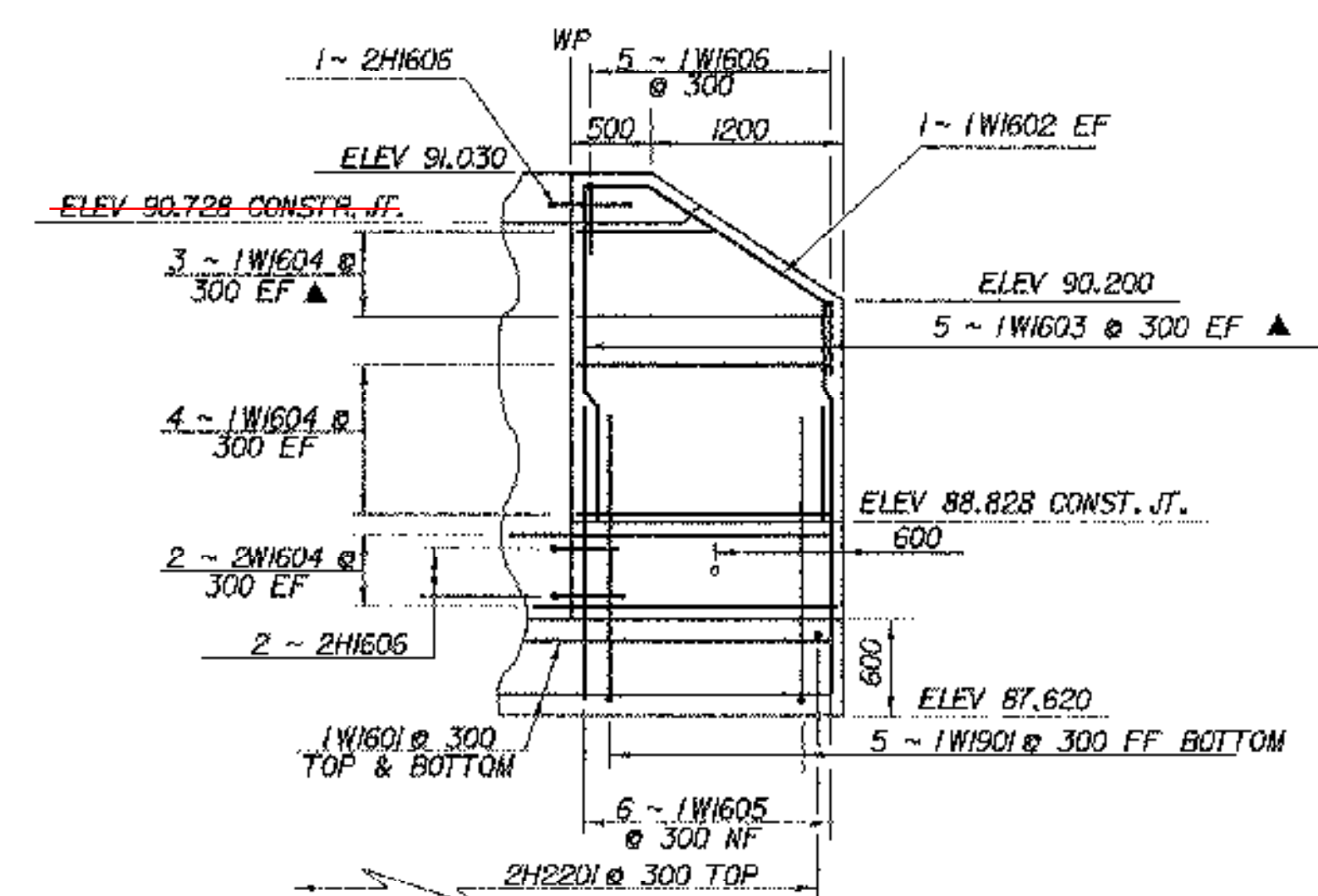
WINGWALL NO. 3 ELEVATION
SCALE - 1:40



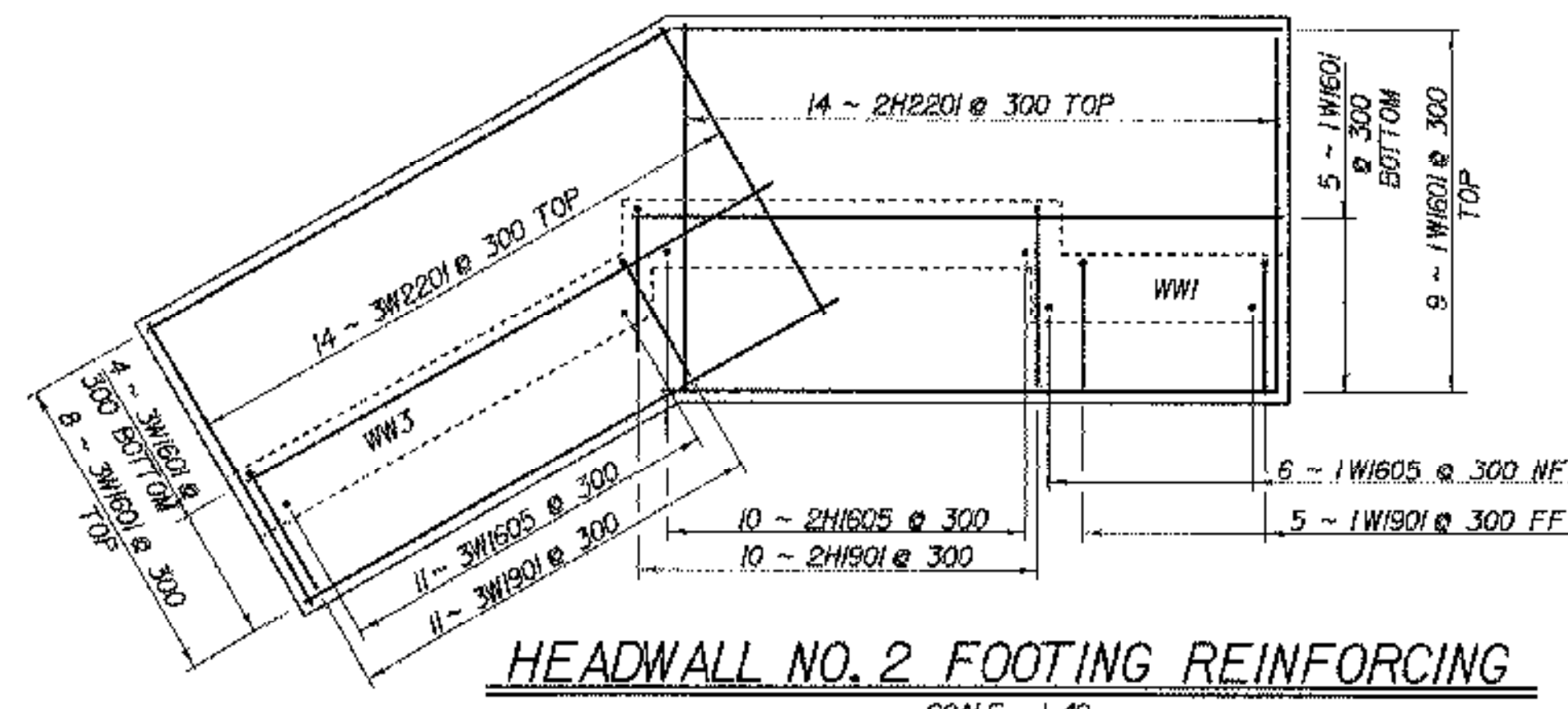
HEADWALL NO. 2 ELEVATION
SCALE - 1:40



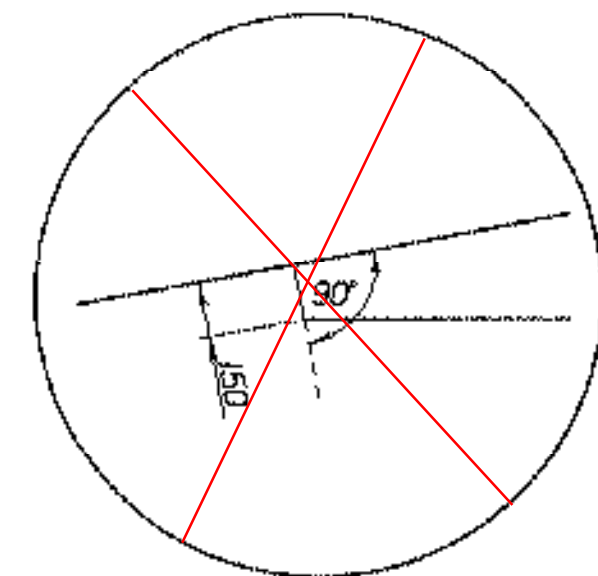
WINGWALL SECTION TYPICAL
SCALE - 1:40



WINGWALL NO. 1 ELEVATION
SCALE - 1:40



HEADWALL NO. 2 FOOTING REINFORCING
SCALE - 1:40



DETAIL A (TYP)
SCALE - 1:20

NOTE:

- NF - NEAR FACE
- FF - FAR FACE
- EF - EACH FACE
- ▲ - CUT TO FIT IN FIELD
- 80 CLR. UNLESS OTHERWISE SPECIFIED ON THE PLANS.
- 3000 MAX WEEPHOLE SPACING

SHEET NAME: HEADWALL NUMBER 2	
PROJECT NAME: FAIR HAVEN-HAMPTON	HIGHWAY NO.: TH 6
PROJECT NUMBER: BRO 1443(32)	BRIDGE NO.: 6
DESIGNED BY: C. MELNIER	OVER: POULTNEY RIVER
FILE NAME: /s1/193j021/sj021box.dgn	PLOT DATE: 23-MAR-2005
PROJECT MANAGER: G.S. ROGERS	DRAWN BY: J. GILMORE
BRIDGE SHEET NUMBER:	IPARM NAME: sj021bx9.1
	SHEET 33 OF 53

REVISED 14-MAR-03