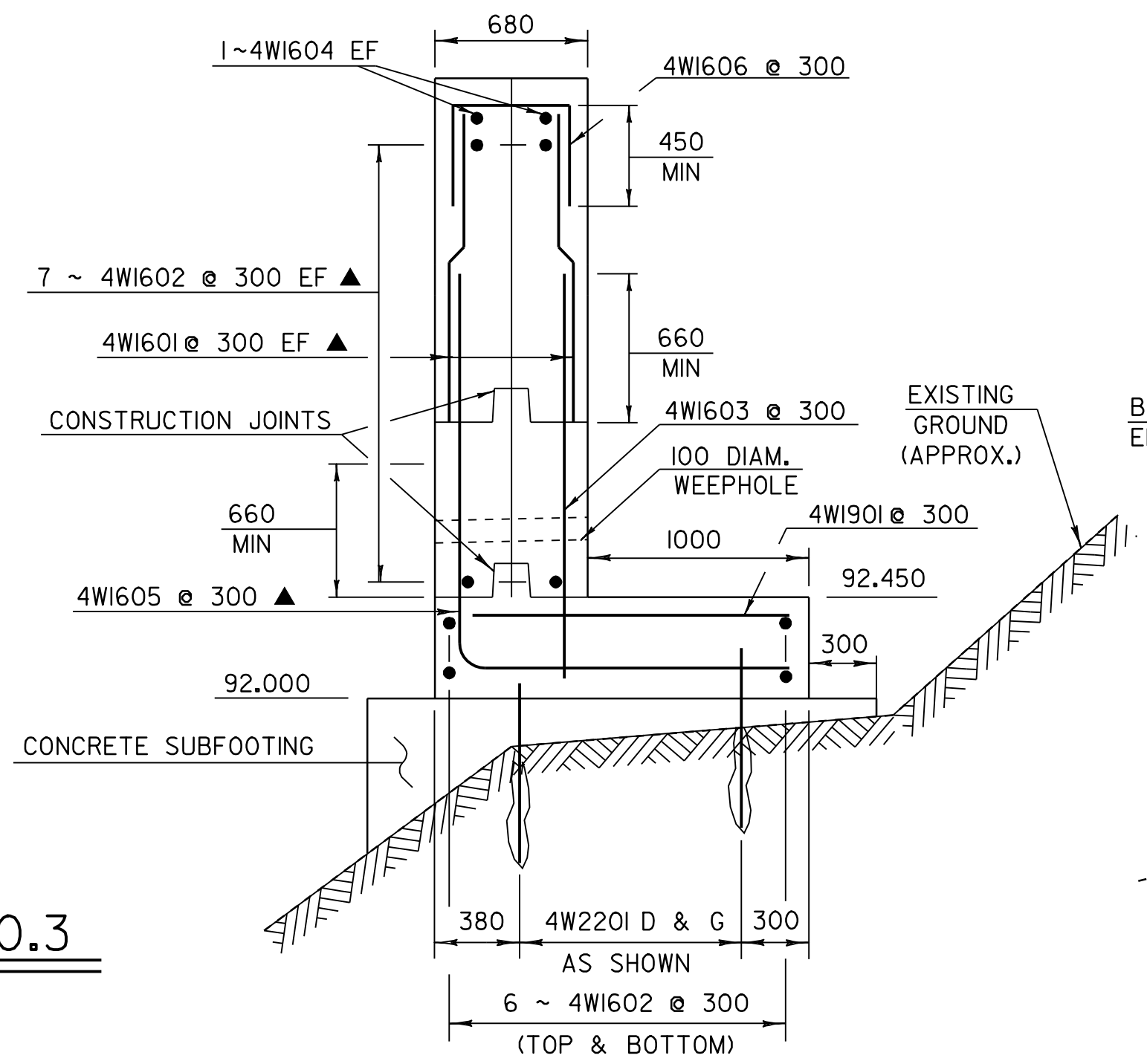
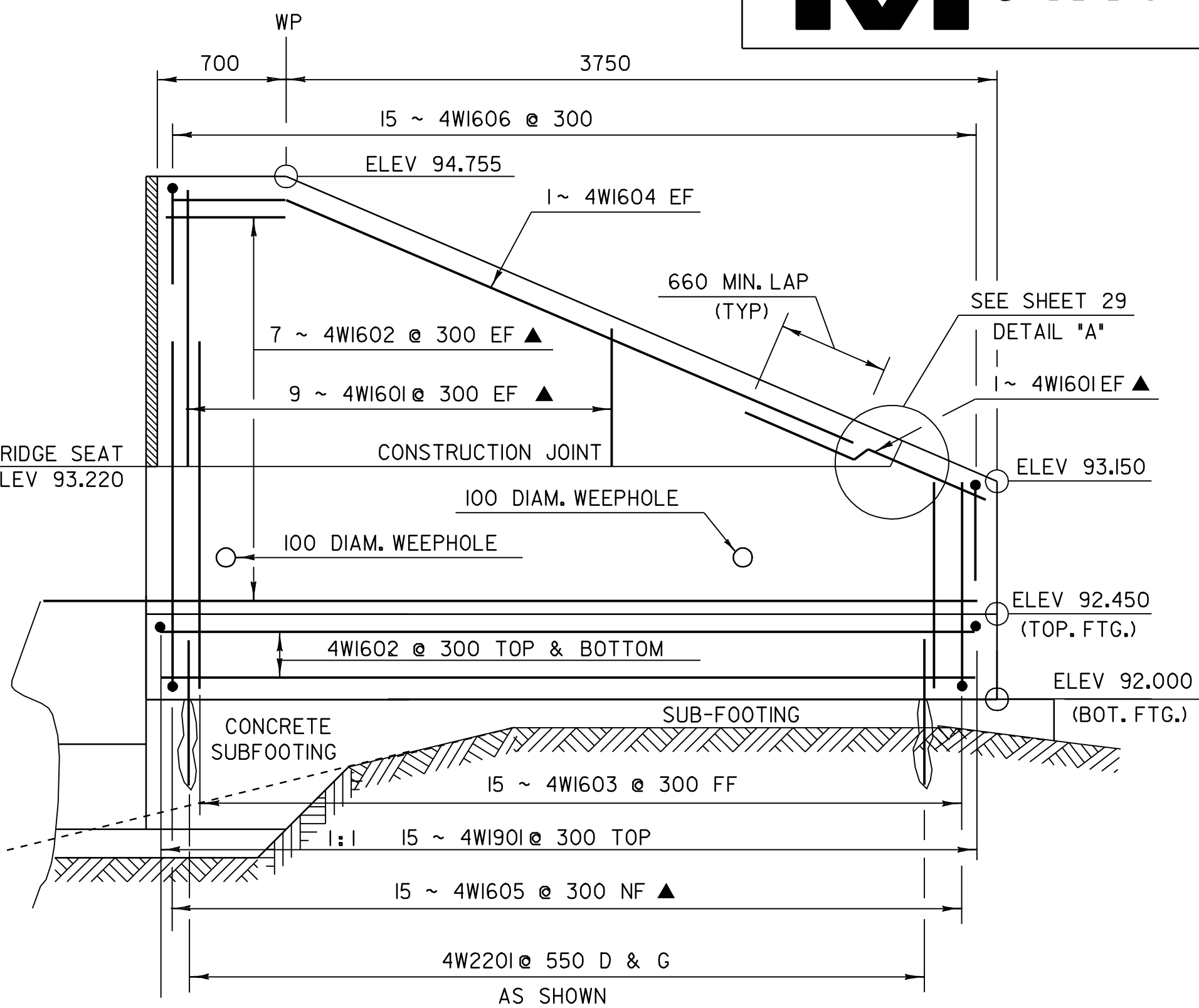


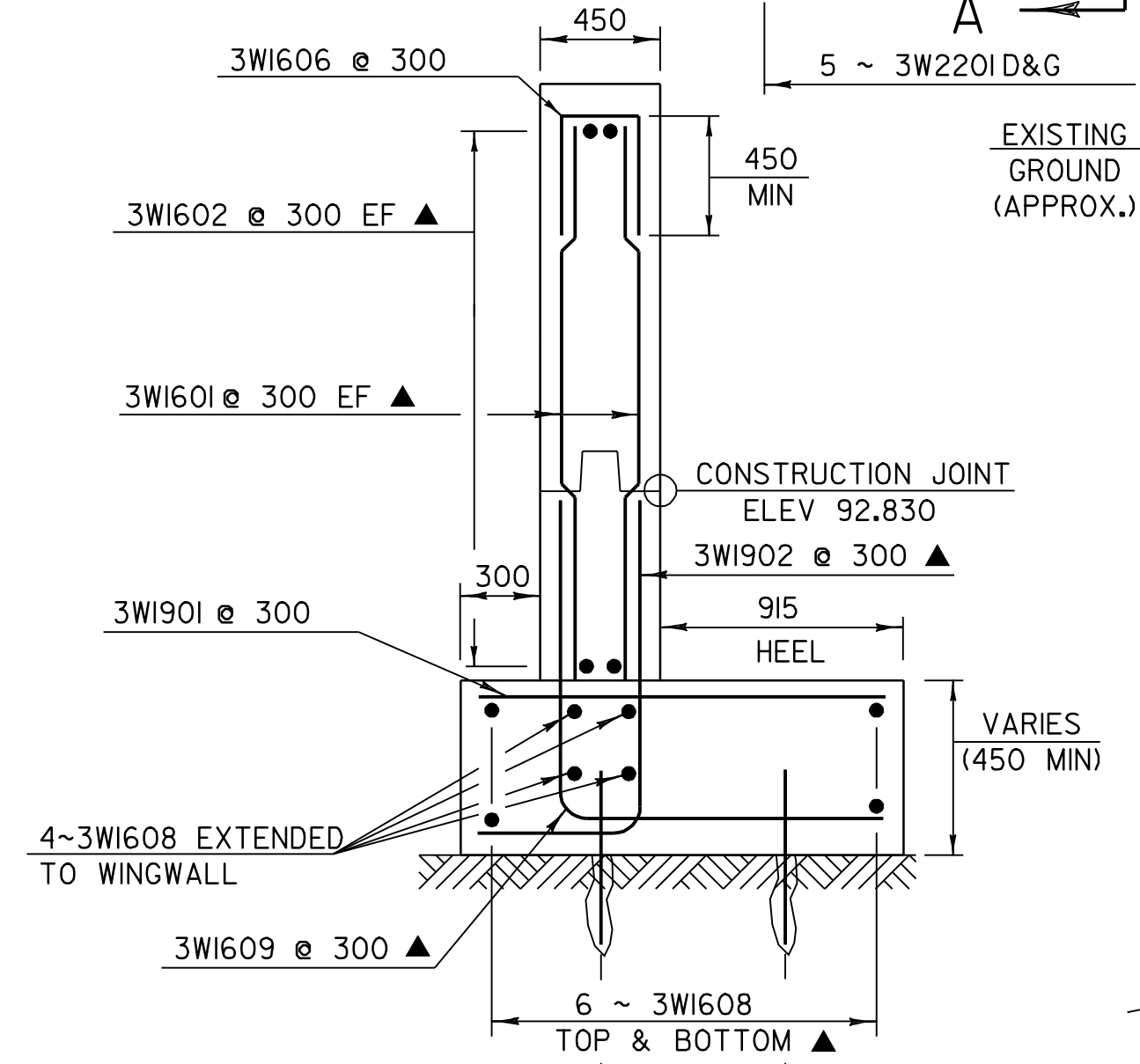
**WINGWALL NO. 3**  
SCALE 1:25



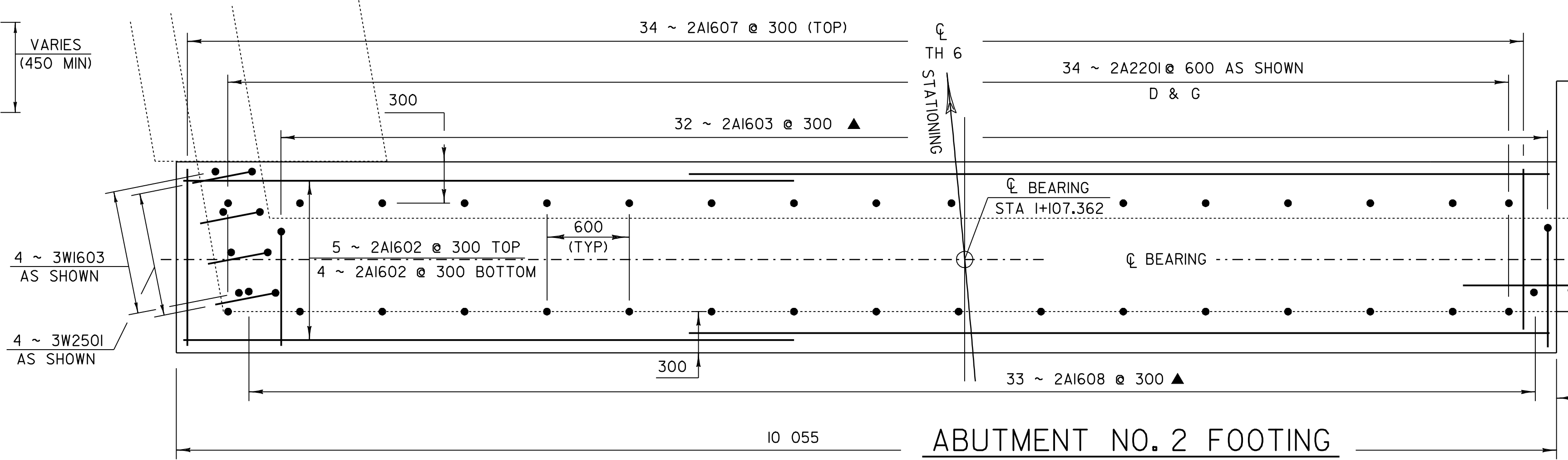
**WINGWALL NO. 4 TYPICAL SECTION**  
SCALE 1:25



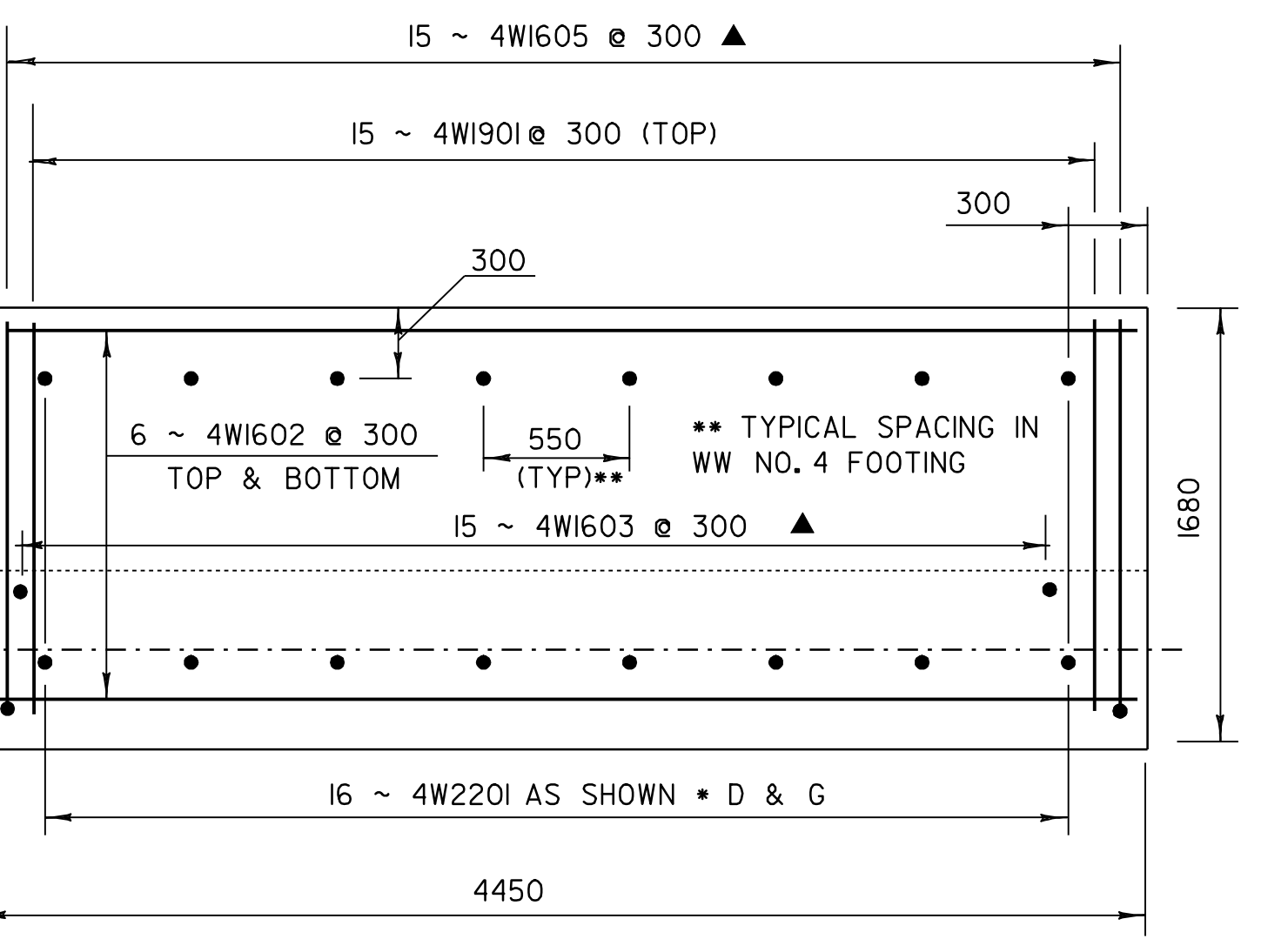
**WINGWALL NO. 4**  
SCALE 1:25



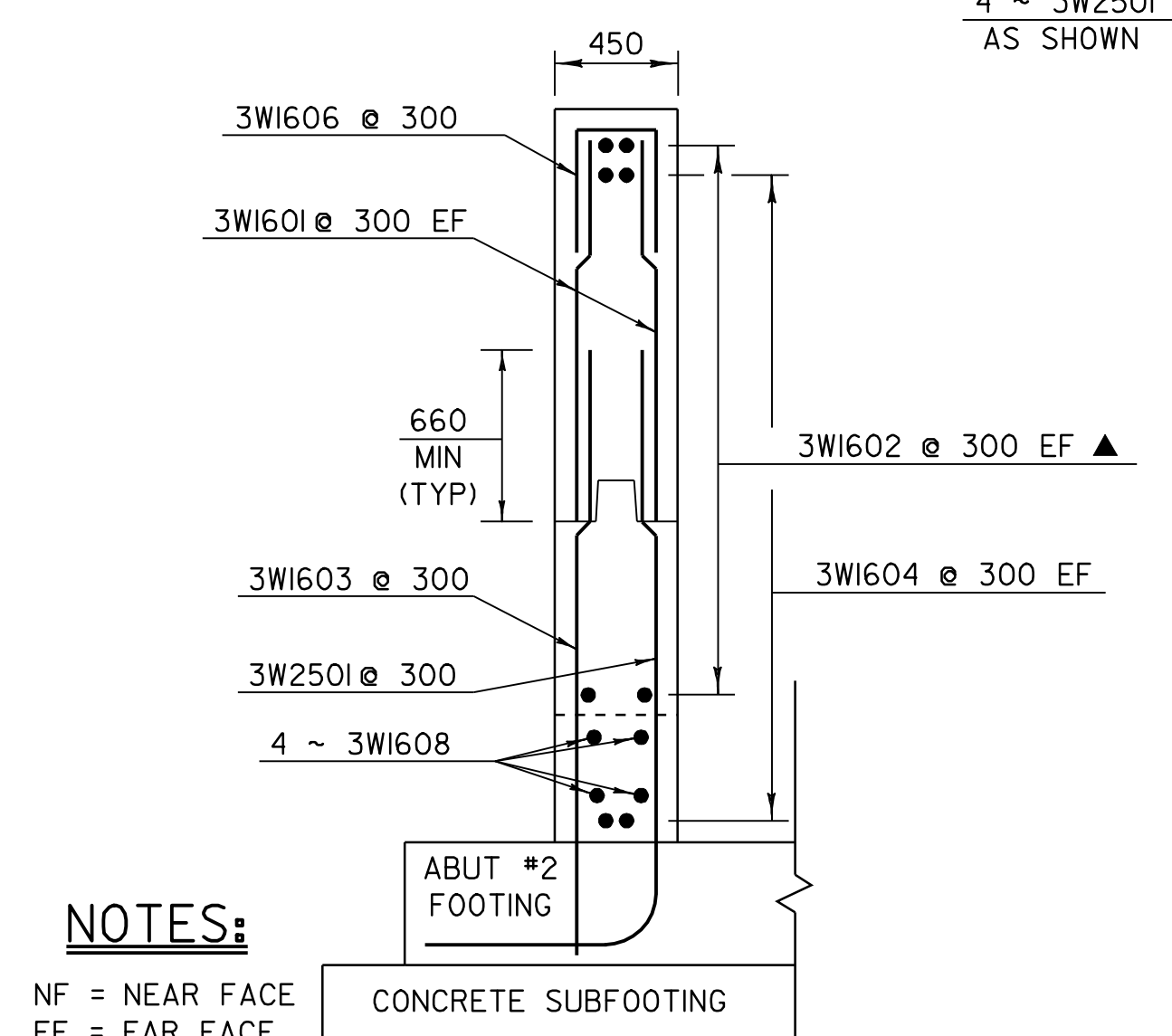
**WINGWALL NO. 3 SECTION A-A**  
SCALE 1:25



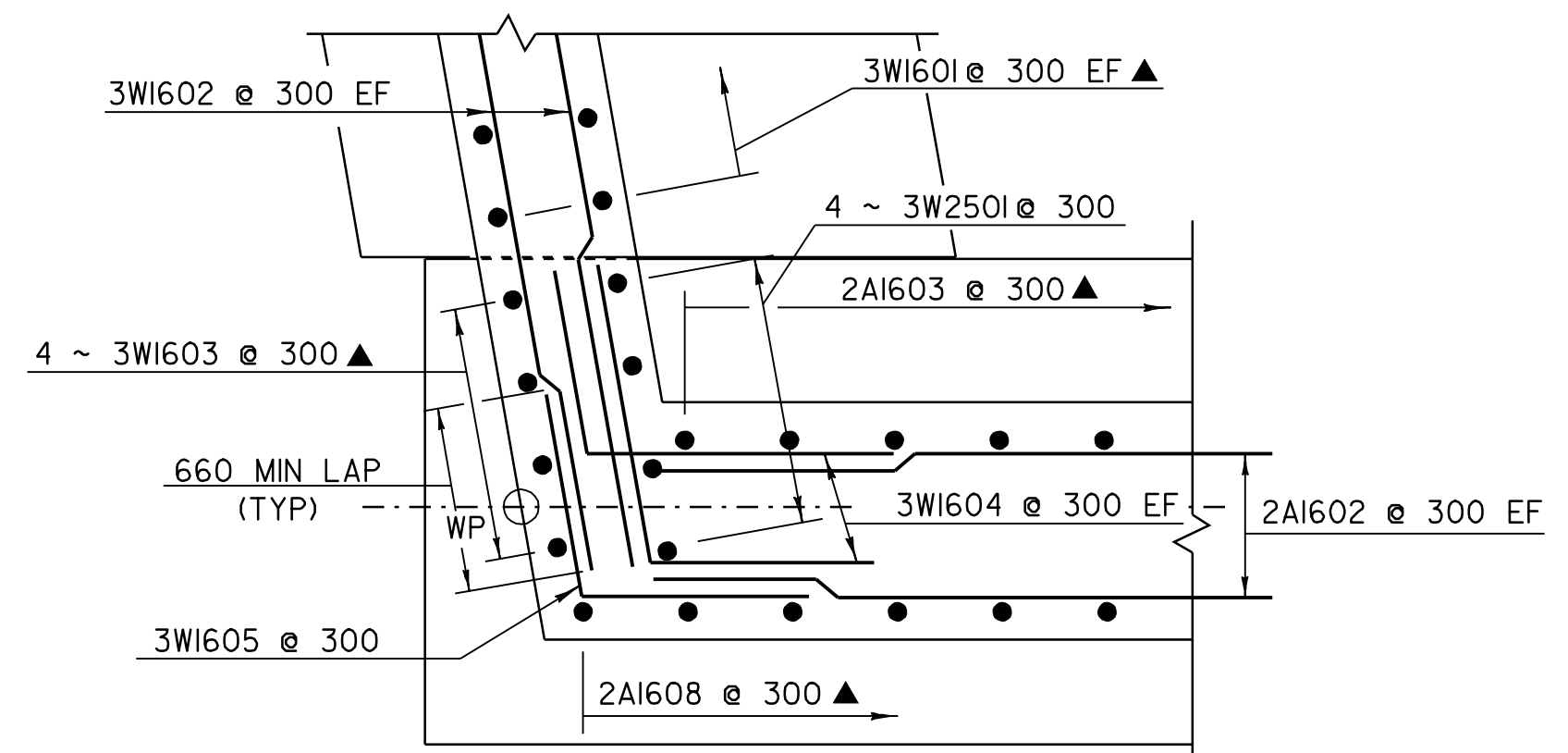
**ABUTMENT NO. 2 FOOTING**  
SCALE 1:25



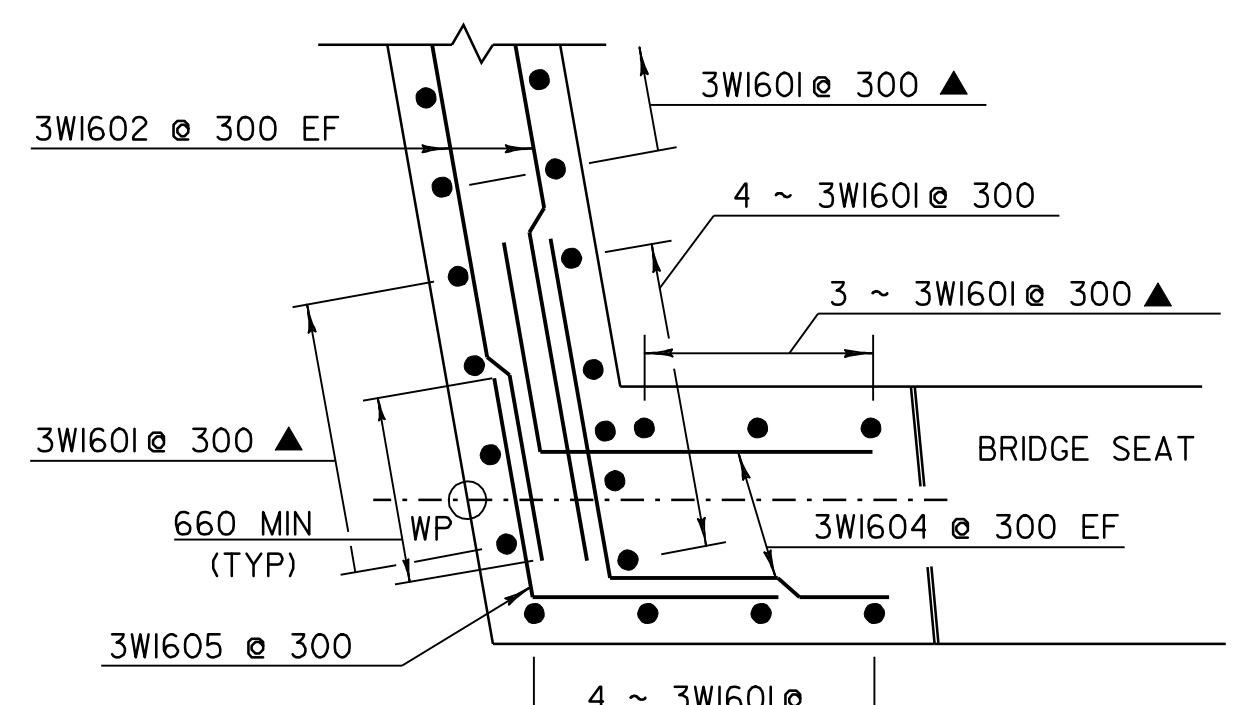
**WINGWALL NO. 4 FOOTING**  
SCALE 1:25



**WINGWALL NO. 3 SECTION B-B**  
SCALE 1:25



**WINGWALL NO. 3 CORNER DETAIL BELOW BRIDGE SEAT**  
SCALE 1:20



**WINGWALL NO. 3 CORNER DETAIL ABOVE BRIDGE SEAT**  
SCALE 1:20

**NOTES:**  
 NF = NEAR FACE  
 FF = FAR FACE  
 EF = EACH FACE  
 ▲ = CUT TO FIT IN FIELD  
 80 CLEAR UNLESS OTHERWISE SPECIFIED ON THE PLANS  
 \* DRILL & GROUT DOWELS AS SHOWN.  
 450 MINIMUM DEPTH OF GROUTING

SHEET NAME: <b>WINGWALL 3 &amp; 4 DETAILS</b>	
PROJECT NAME: <b>FAIR HAVEN-HAMPTON</b>	HIGHWAY NO.: <b>TH 6</b>
PROJECT NUMBER: <b>BRO 1443(32)</b>	BRIDGE NO.: <b>6</b>
	OVER: <b>POULTNEY RIVER</b>
FILE NAME: /s/r/1/93j021/sj021sub2.dgn	PLOT DATE: <b>29-MAR-2005</b>
PROJECT MANAGER: <b>G.S. ROGERS</b>	DRAWN BY: <b>D. BONNEAU</b>
DESIGNED BY: <b>C. MEUNIER</b>	IPARM NAME: <b>sj021cr-d.1</b>
BRIDGE SHEET NUMBER:	SHEET <b>28 OF 53</b>

REV: 5/14/03