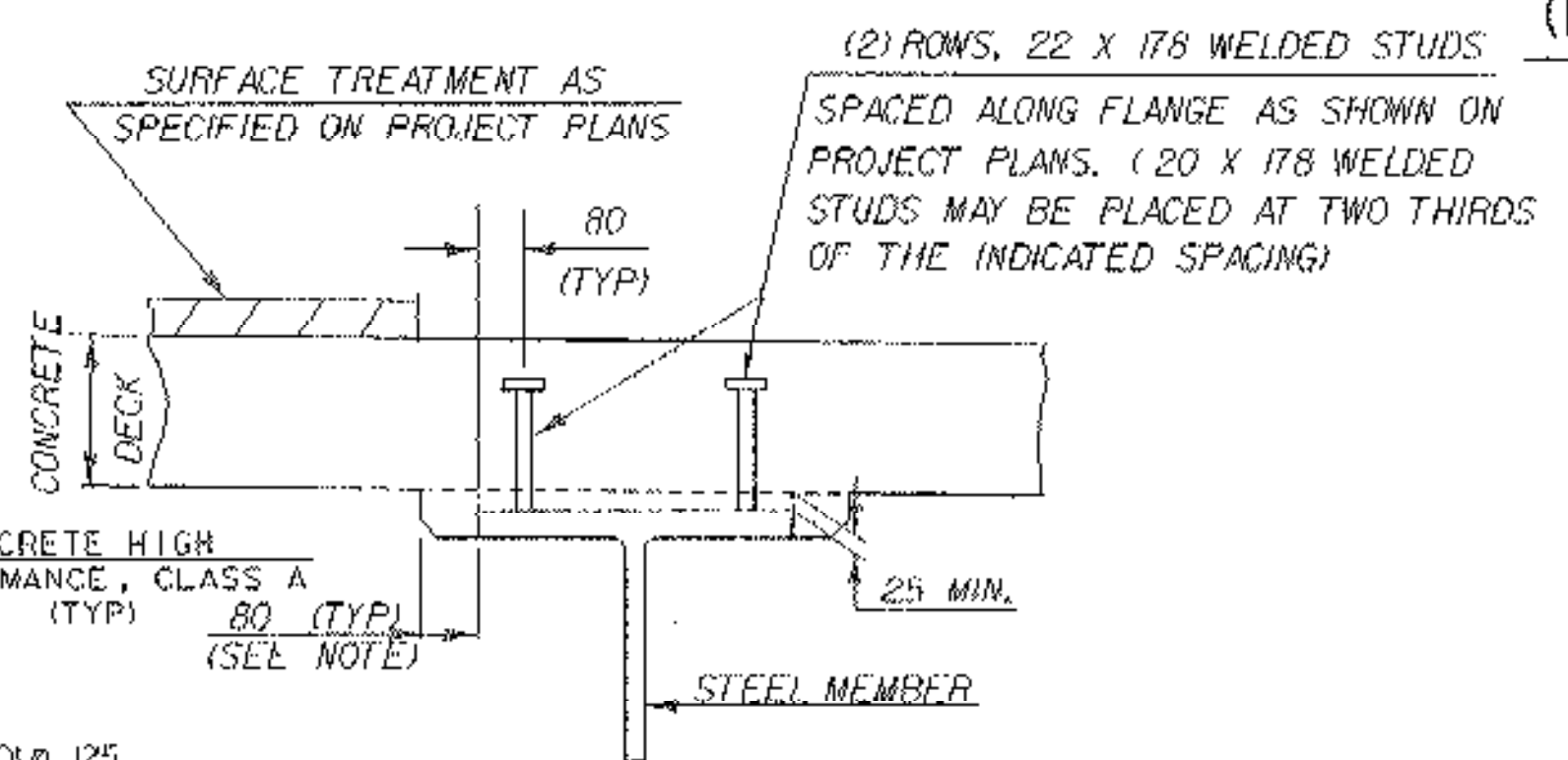
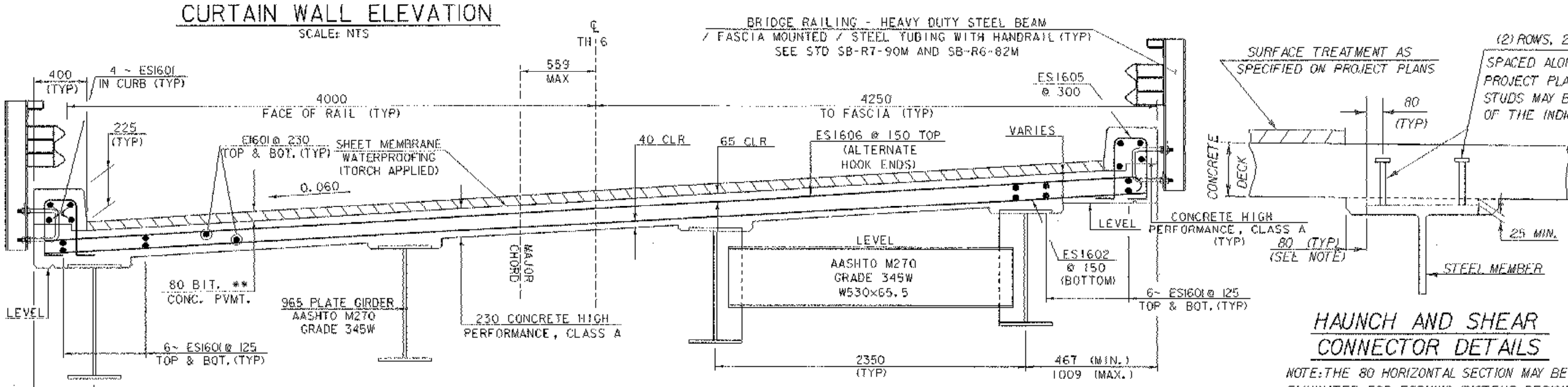
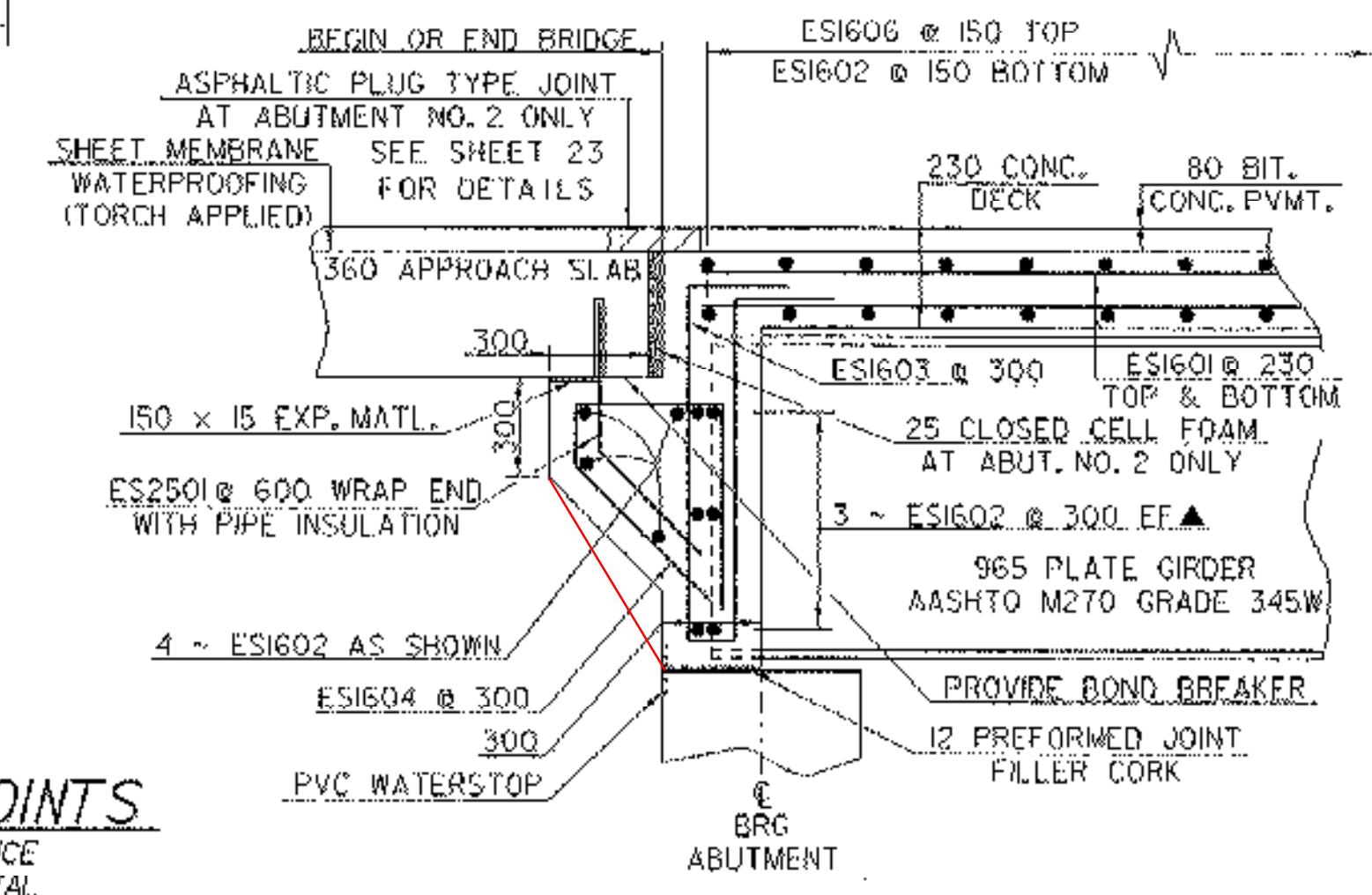
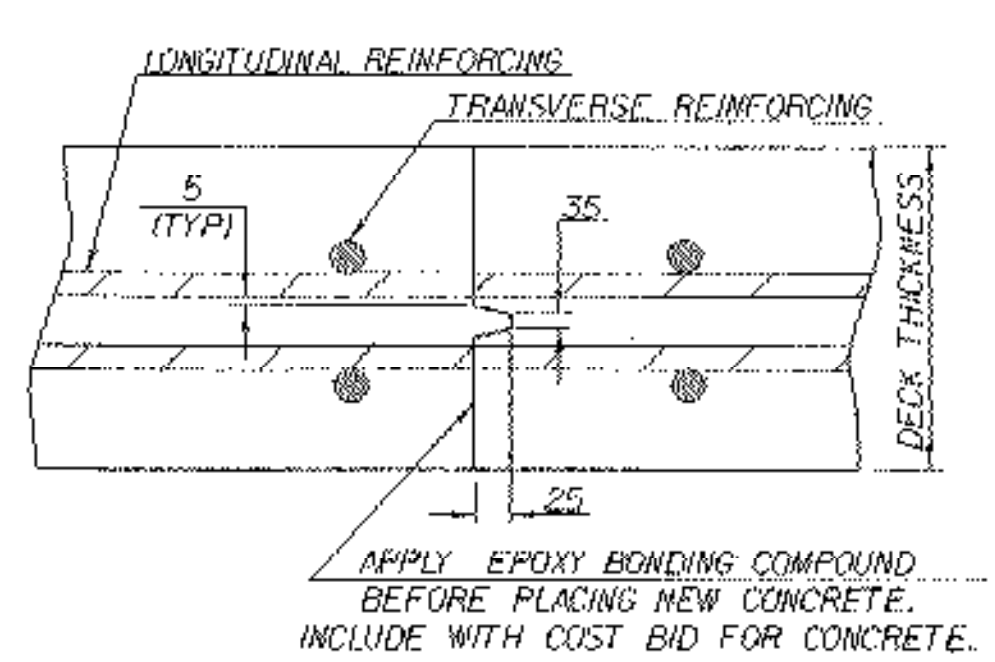
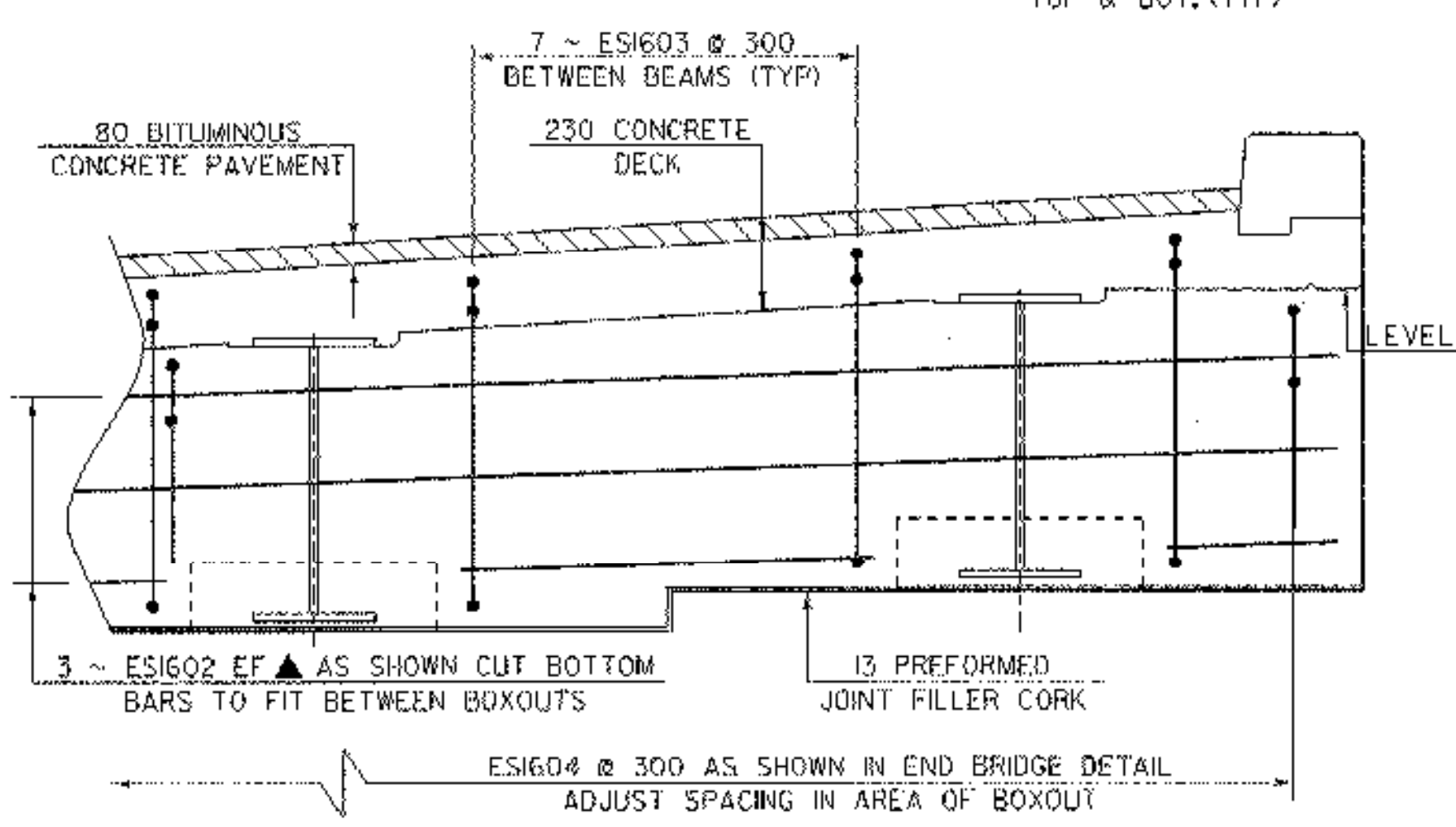


- NOTES:
1. ALL REINFORCING STEEL SHALL BE EPOXY COATED.
 2. ALL EPOXY COATED STEEL TO BE CUT IN FIELD IS TO BE SAW CUT AND THE EXPOSED END IS TO BE TREATED AS PER SECTION 507.04
 3. ▲ - DENOTES BARS TO BE CUT IN THE FIELD



- ** FIRST LIFT: 40 BITUMINOUS CONCRETE PAVEMENT, TYPE III
SECOND LIFT: 40 BITUMINOUS CONCRETE PAVEMENT, TYPE III

SHEET NAME: DECK REINFORCING PLAN	
PROJECT NAME: FAIR HAVEN-HAMPTON	HIGHWAY NO.: TH 6
PROJECT NUMBER: BRO 1443(32)	BRIDGE NO.: 6
	OVER: POULTNEY RIVER
FILE NAME: /sfr/93j021/sj021sup2.dgn	PILOT DATE: 28-JAN-2003
PROJECT MANAGER: G.S. ROGERS	DRAWN BY: J. GILMORE
DESIGNED BY: C. MEUNIER	IPARM NAME: sj021drrp.i
BRIDGE SHEET NUMBER:	SHEET 20 OF 53