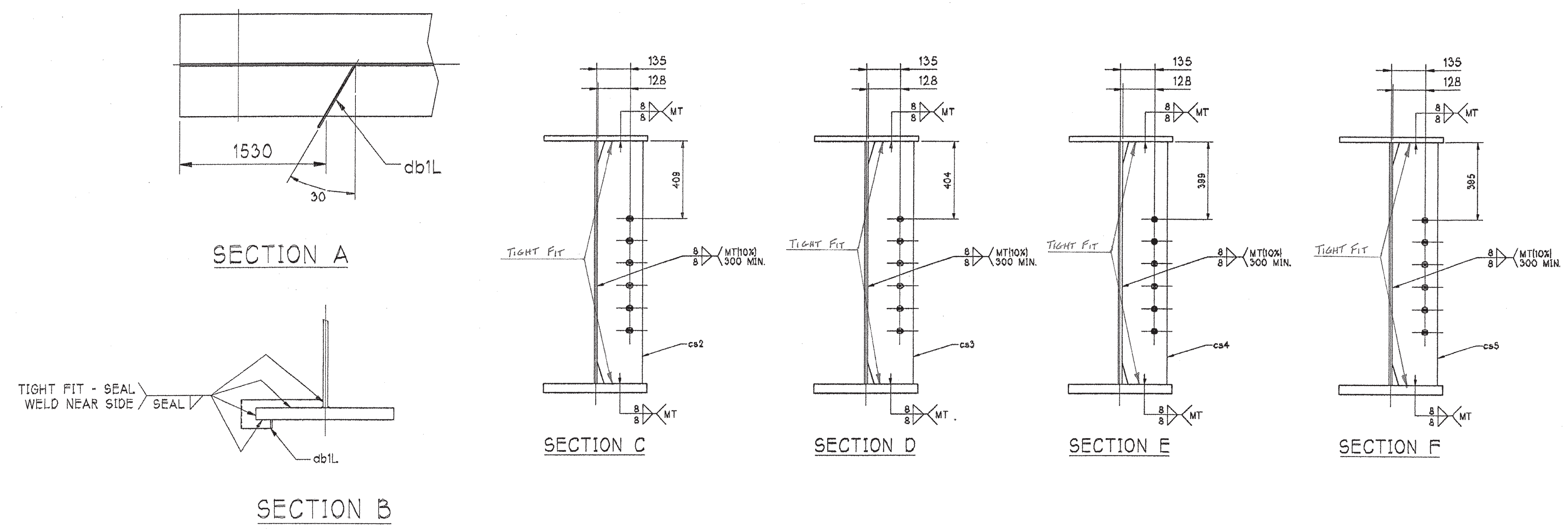


GIRDER MK. G4

BILL OF MATERIAL				WORK ORDER NO.	DRAWING NO.	REV.		
				15948	10-6			
MARK	QTY.	MK.	SHAPE	LENGTH	WT.(KG)	PMR P/L	SUPPL P/L	REMARKS
G4	ONE		GIRDER	25 358	7166			
1	if1		PL 22 X 406	25 320	1775	S1		CVN-T2
1	wp1		PL 13 X 965	25 358	2498	S1		CVN-T2
1	b1		PL 35 X 406	25 300	2822	S1		CVN-T2
1	cs2		PL 13 X 178	965	17.5	S1		
1	cs3		PL 13 X 178	965	17.5	S1		
1	cs4		PL 13 X 178	965	17.5	S1		
1	cs5		PL 13 X 178	965	17.5	S1		
1	db1L		PL 6 X 85	277	1	S1		

RECEIVED
 OK'D BY: *HP* OK'D BY: *CS*
 APR 14 2003
 RESUBMIT APPROVED: *AS NOTED*
 BY: *CSR* DATE: *4/15/03*

- NOTES:
- FOR APPROVAL
- FOR CAMBER & FLG. CUTTING DIAGRAMS, SEE DWG. 10-1
 - FOR GIRDER STANDARD DETAILS, SEE DWG. 10-2
 - FOR GENERAL NOTES, SEE DWG. GN1



*: BLAST CLEAN BEFORE OR AFTER FAB. M270,GR.545W

STEEL: ASTM A709-36 A709-50 A709-50W Unless Noted

WELDING ELECTRODE: E70 See Welding Proc. None

HOLES: 13/16 15/16 Unless Noted As Noted None

PAINT: None Galv. After Fab. As Noted

SPECIAL PAINT: NONE - CLEAN FOR WEATHERING *

SPECIAL CLEANING: Blast Clean SSPC SP10 * None

ITEM NO. 506.55 BR. NO. 6 PROJ. NO. BRO 1443(32)

TITLE: GIRDER DETAILS - G4

APPROVED: PRINT DIST. 6 3/25/03 APPR. ORIG. FAB. PLAINVILLE, CT

national eastern
 STRUCTURAL STEEL FABRICATORS
 MAJOR STEEL BRIDGES
 860-747-3700

JOB: CL 2 LOCAL BRIDGE NO. 6
 RTE. TH 6 OVER THE POULTNEY RIVER
 RUTLAND COUNTY
 FAIRHAVEN, VERMONT - HAMPTON, NEW YORK

CUSTOMER: AUSTIN CONSTRUCTION, INC.

DESIGNER: VERMONT AGENCY OF TRANSPORTATION

CHECKED DS/NEC 3/24/03 DRAWN RAB/NEC 3/18/03 WORK ORDER NO. 15948 DRAWING NO. 10-6 REV.