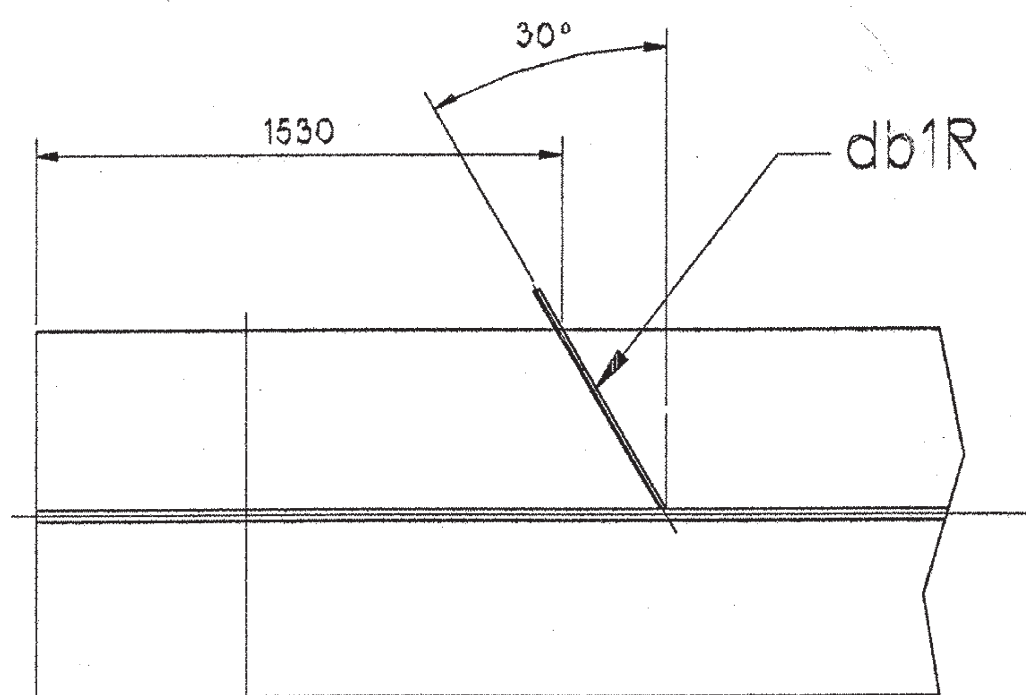
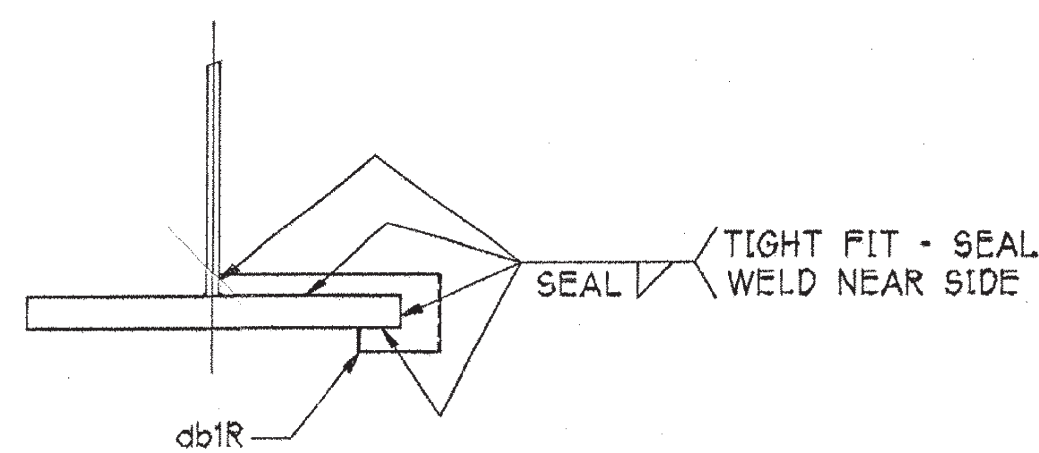


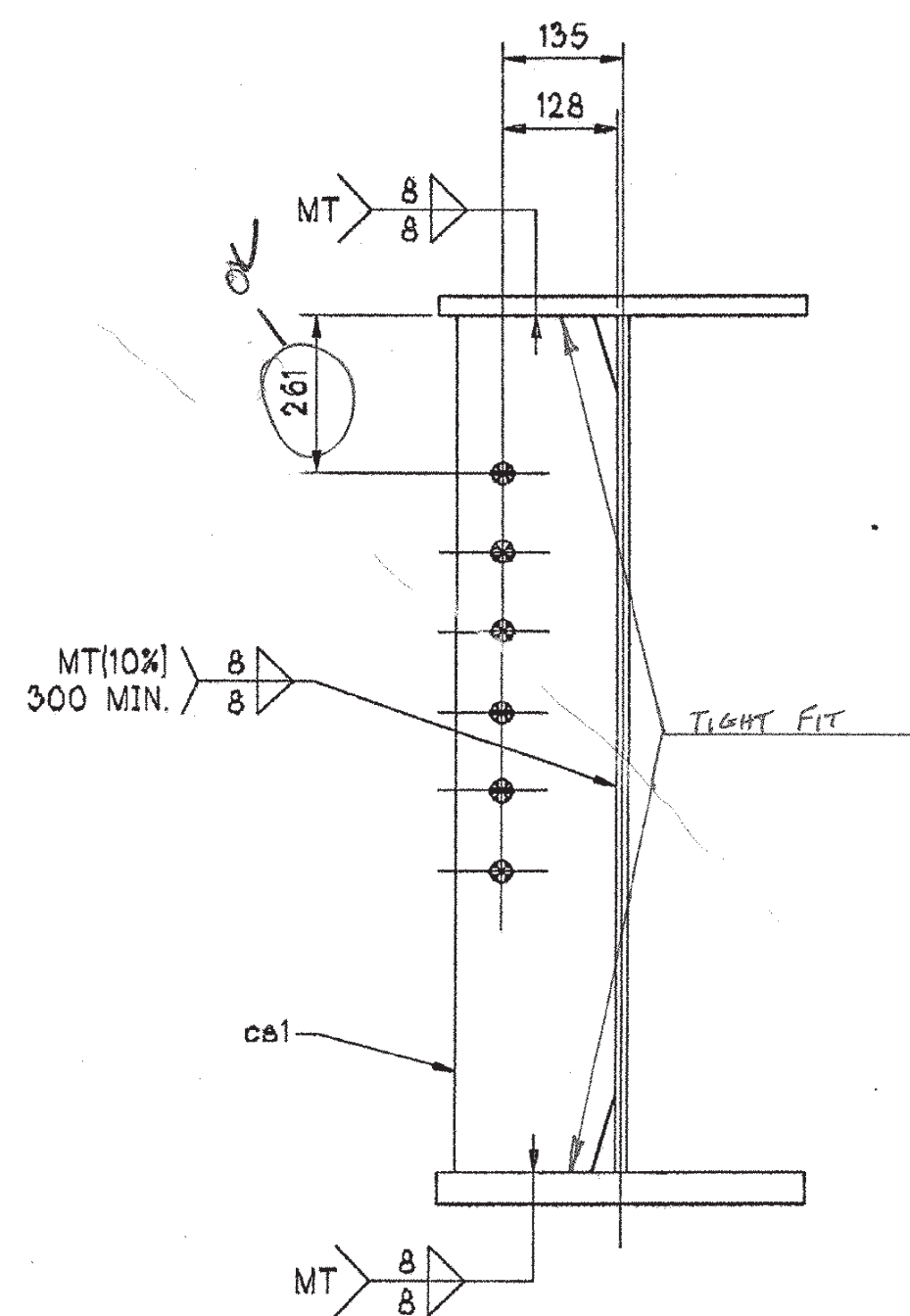
GIRDER MK. G1



SECTION A



SECTION B



SECTION C

		BILL OF MATERIAL			WORK ORDER NO.	DRAWING NO.	REV.	
					15948	10-3		
MARK	QTY.	MK.	SHAPE	LENGTH	WT.(KG)	PMT P/L	SUPPL. F/L	REMARKS
G1	ONE		GIRDER	25 358	7166			
	1	if1	PL 22 X 406	25 320	1775	51/5		CVN-T2
	1	wp1	PL 13 X 965	25 358	2498	51/2		CVN-T2
	1	bf1	PL 35 X 406	25 300	2822	51/6		CVN-T2
	4	cs1	PL 13 X 178	965	70	51/3		
	1	db1R	PL 6 X 85	277	1	51/9		

RECEIVED
 OK'D BY *AL* OK'D BY *CL*
 MAR 25 2003
 RESUBMIT APPROVED *AS NOTED*
 BY *CSL* DATE 4/15/03

NOTES:

FOR APPROVAL

1. FOR CAMBER & FLG. CUTTING DIAGRAMS, SEE DWG. 10-1
2. FOR GIRDER STANDARD DETAILS, SEE DWG. 10-2
3. FOR GENERAL NOTES, SEE DWG. GN1

*: BLAST CLEAN BEFORE OR AFTER FAB. M270,GR.345W

STEEL: ASTM	<input type="checkbox"/> A709-36	<input type="checkbox"/> A709-50	<input checked="" type="checkbox"/> A709-50W	<input checked="" type="checkbox"/> Unless Noted
WELDING ELECTRODE:	<input checked="" type="checkbox"/> E70	<input checked="" type="checkbox"/> See Welding Proc.	<input type="checkbox"/> None	
HOLES:	<input type="checkbox"/> 13/16	<input checked="" type="checkbox"/> 15/16	<input type="checkbox"/> Unless Noted	<input type="checkbox"/> As Noted
PAINT:	<input checked="" type="checkbox"/> None	<input type="checkbox"/> Galv. After Fab.	<input type="checkbox"/> As Noted	
SPECIAL PAINT:	NONE - CLEAN FOR WEATHERING *			
SPECIAL CLEANING:	<input checked="" type="checkbox"/> Blast Clean	<input type="checkbox"/> SSPC SP10	<input type="checkbox"/> None	
ITEM NO.	506.55	BR. NO.	6	PROJ. NO. BRO 1443(32)
TITLE: GIRDER DETAILS - G1				
APPROVED:	<p>STRUCTURAL STEEL FABRICATORS MAJOR STEEL BRIDGES</p> <p>PLAINVILLE, CT 860-747-3700</p>			
PRINT DIST.				
ORIG. FAB.				
JOB:	CL 2 LOCAL BRIDGE NO. 6 RTE. TH 6 OVER THE POULTNEY RIVER RUTLAND COUNTY FAIRHAVEN, VERMONT - HAMPTON, NEW YORK			
CUSTOMER:	AUSTIN CONSTRUCTION, INC.			
DESIGNER:	VERMONT AGENCY OF TRANSPORTATION			
CHECKED	DS/NEC	3/24/03	WORK ORDER NO.	DRAWING NO.
DRAWN	RAB/NEC	3/18/03	15948	10-3