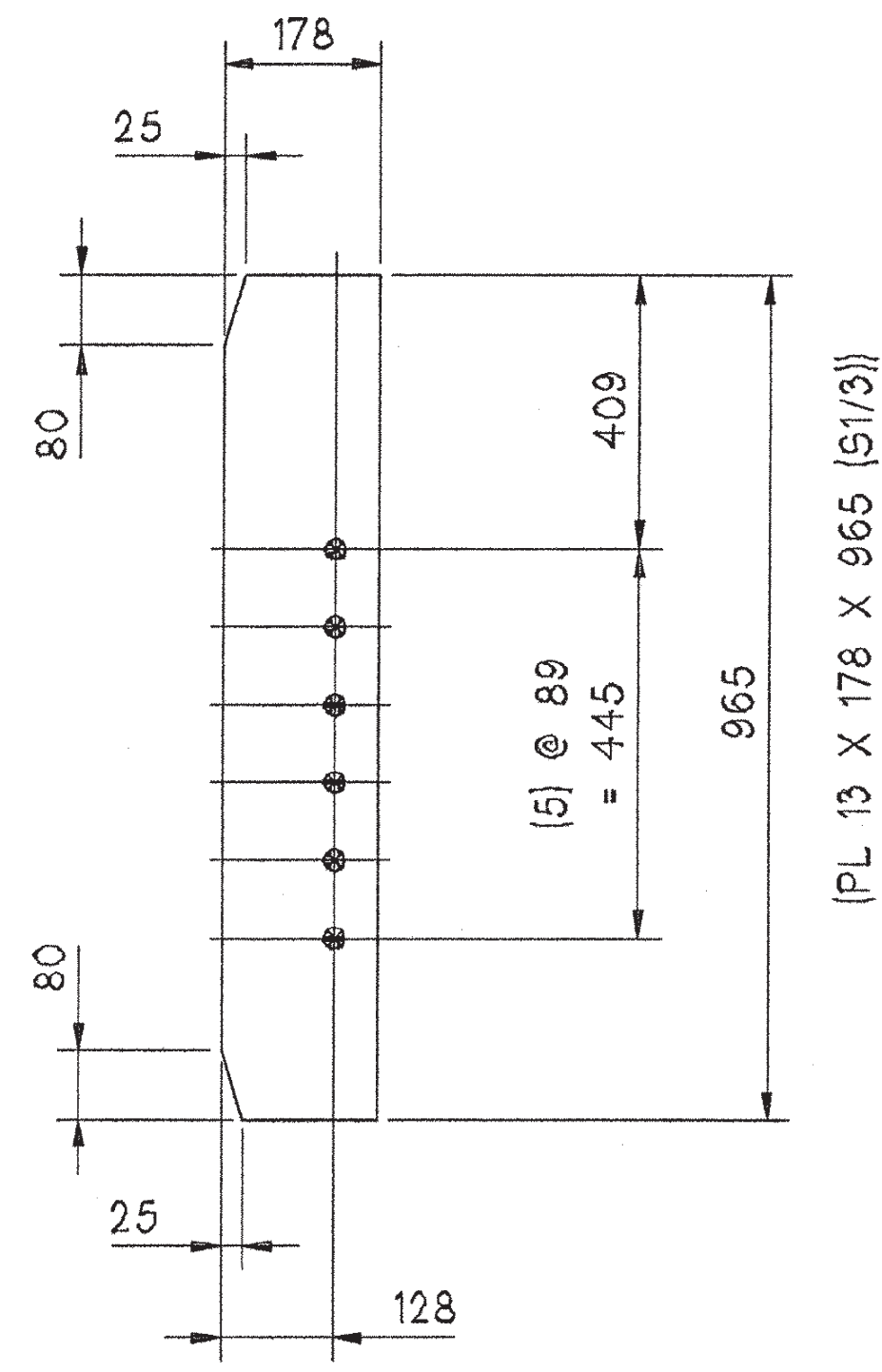


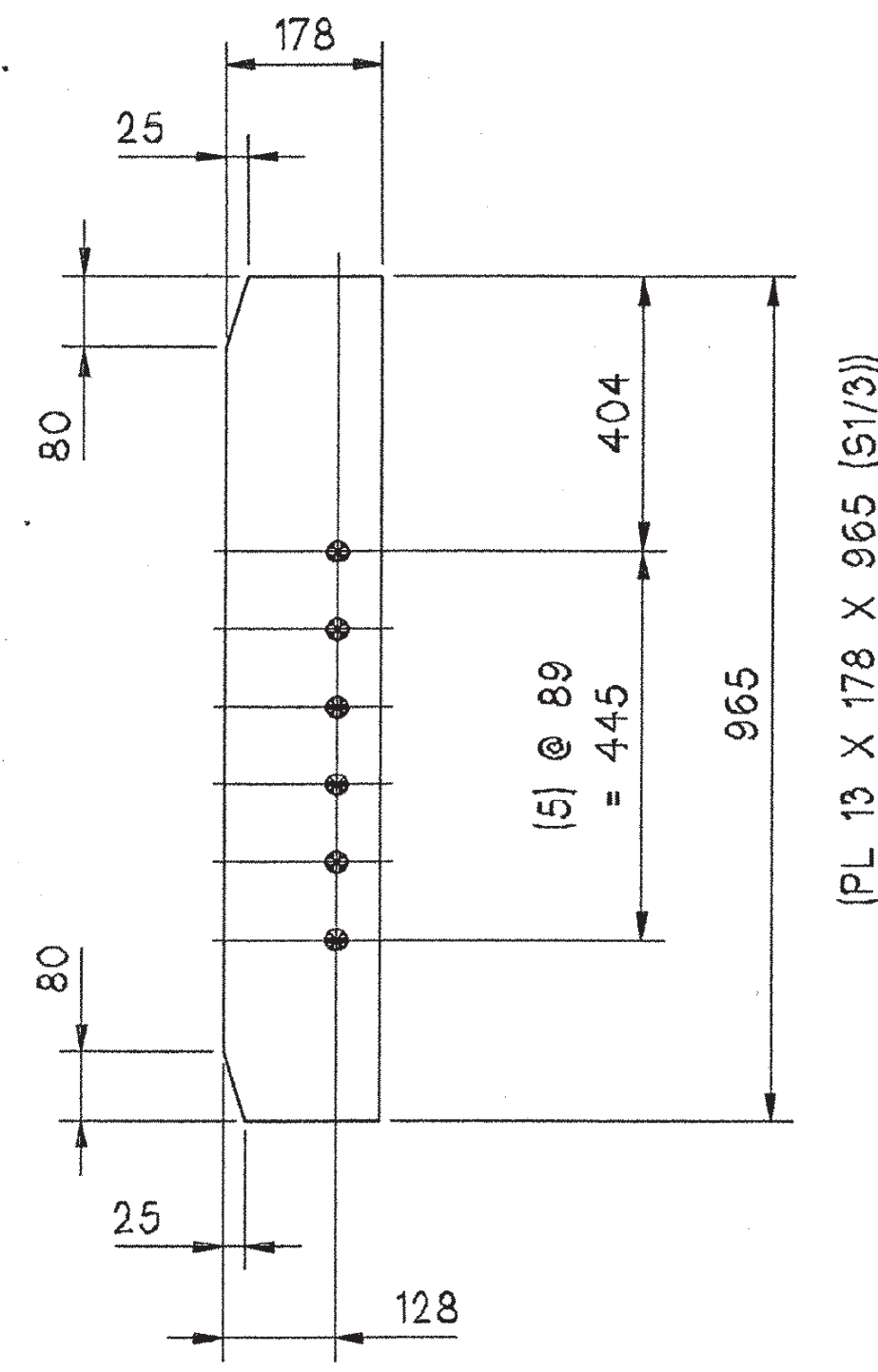
cs1 - (12) REQ'D.

CSPREP



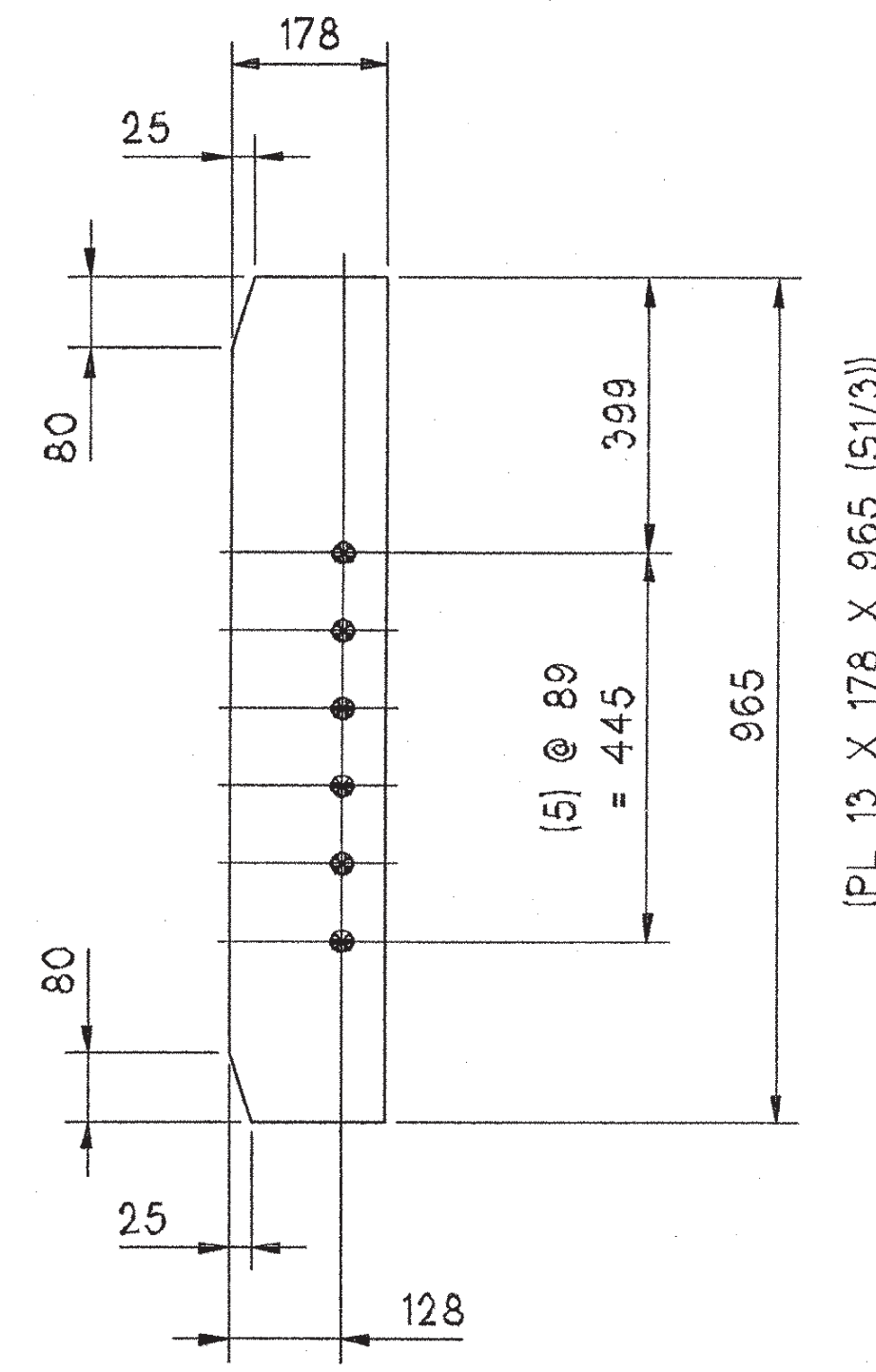
cs2 - (3) REQ'D.

CSPREP



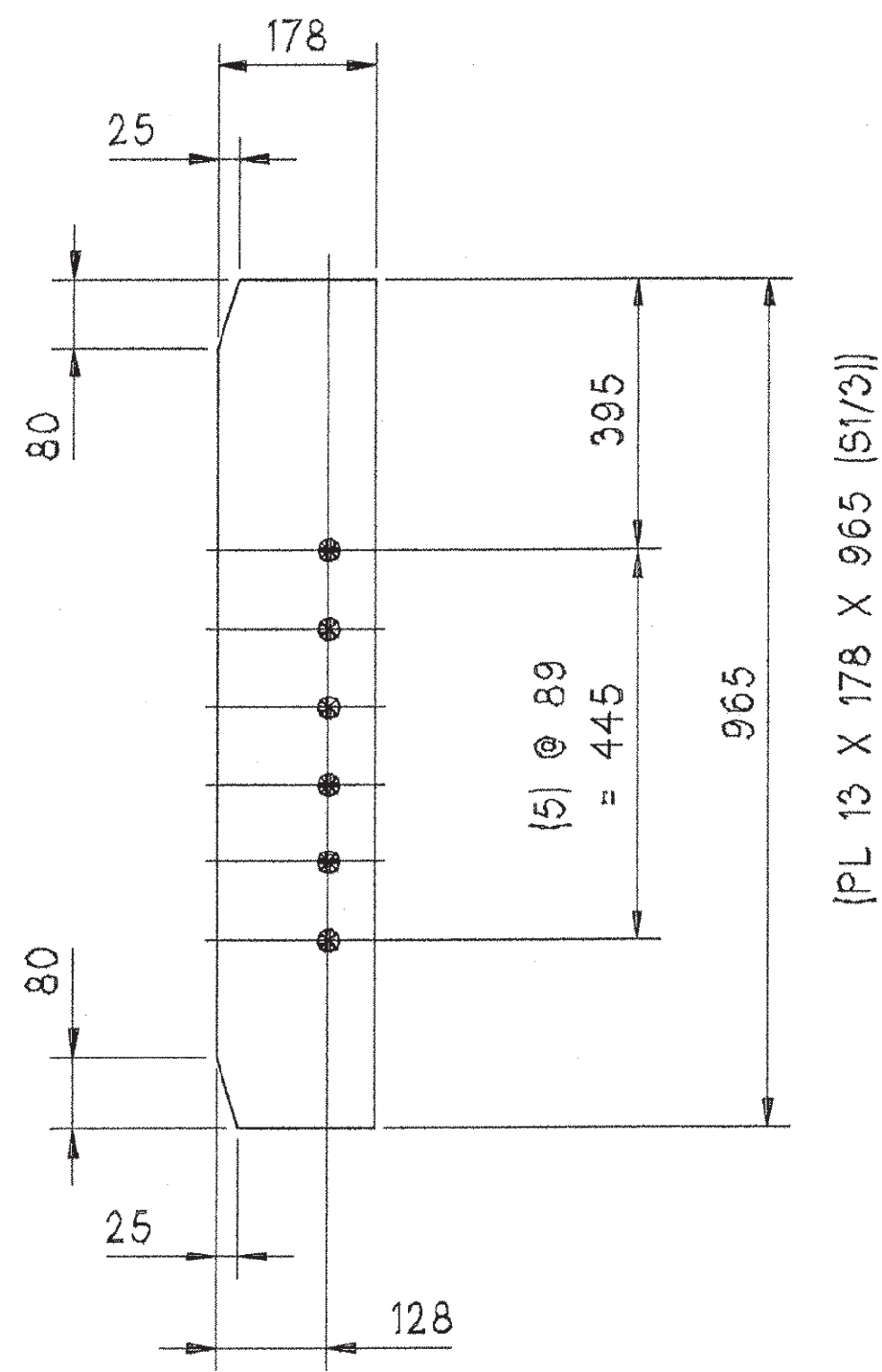
cs3 - (3) REQ'D.

CSPREP



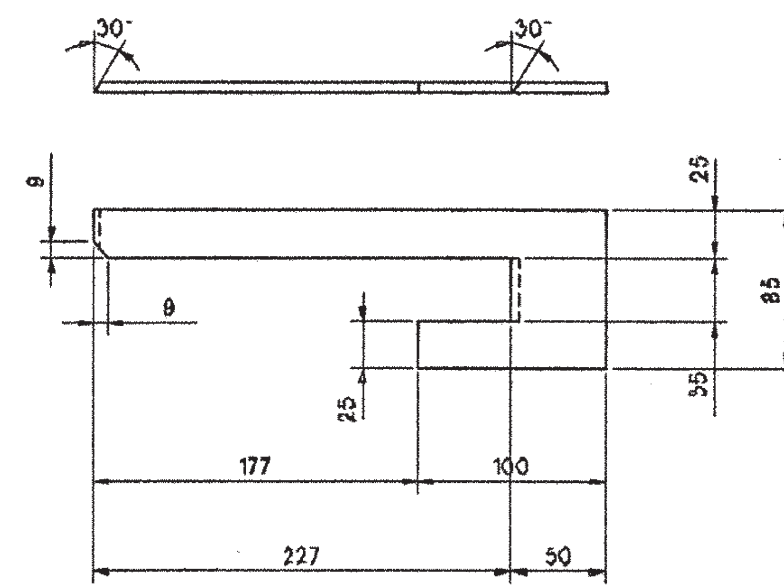
cs4 - (3) REQ'D.

CSPREP

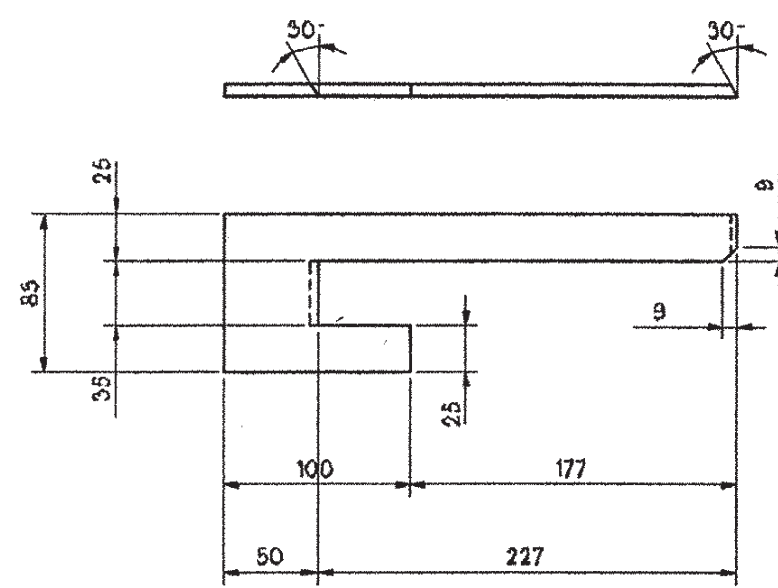


cs5 - (3) REQ'D.

CSPREP



db1R - (ONE) REQ'D.



db1L - (ONE) REQ'D.

DBPREP

(PL 6 X 85 X 277 (S1/9))

RECEIVED
 OK'D BY: *PH* OK'D BY: *CU*
 APR 14 2003
 RESUBMIT: _____ APPROVED: *✓*
 BY: *GS/R* DATE: *4/15/03*

FOR APPROVAL

M270,GR.345W

STEEL: ASTM	<input type="checkbox"/> A709-36	<input type="checkbox"/> A709-50	<input checked="" type="checkbox"/> A709-50W	<input checked="" type="checkbox"/> Unless Noted
WELDING ELECTRODE:	<input type="checkbox"/> E70	<input type="checkbox"/> See Welding Proc.		<input checked="" type="checkbox"/> None
HOLES:	<input type="checkbox"/> 13/16	<input checked="" type="checkbox"/> 15/16	<input type="checkbox"/> Unless Noted	<input type="checkbox"/> As Noted
PAIN:	<input checked="" type="checkbox"/> None	<input type="checkbox"/> Galv. After Fab.	<input type="checkbox"/> As Noted	<input type="checkbox"/>
SPECIAL PAINT:	NONE			
SPECIAL CLEANING:	<input type="checkbox"/> Blast Clean	<input type="checkbox"/> SSPC SP10	<input checked="" type="checkbox"/> None	
ITEM NO.	506.55	BR. NO.	6	PROJ. NO.
BRO 1443(32)				
TITLE: GIRDER STANDARD DETAILS				
APPROVED:	 STRUCTURAL STEEL FABRICATORS MAJOR STEEL BRIDGES PLAINVILLE, CT 860-747-3700			
PRINT DIST.				
6 3/25/03 APPR.				
ORIG.	FAB.	JOB: CL 2 LOCAL BRIDGE NO. 6 RTE. TH 6 OVER THE POULTNEY RIVER RUTLAND COUNTY FAIRHAVEN, VERMONT - HAMPTON, NEW YORK		
CUSTOMER: AUSTIN CONSTRUCTION, INC.				
DESIGNER: VERMONT AGENCY OF TRANSPORTATION				
CHECKED	DS/NEC	3/24/03	WORK ORDER NO.	DRAWING NO.
DRAWN	RAB/NEC	3/13/03	15948	10-2

*** DO NOT SHIP ***