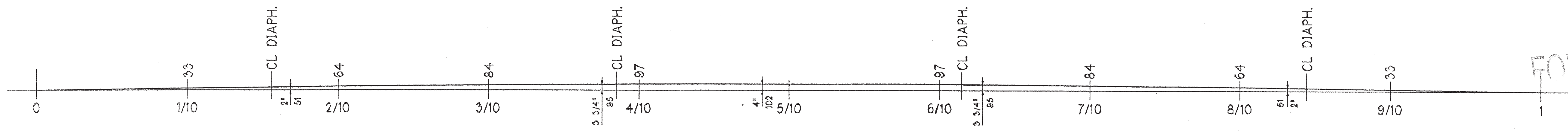


GIRDER TOS ELEV. (NO LOAD POSITION)

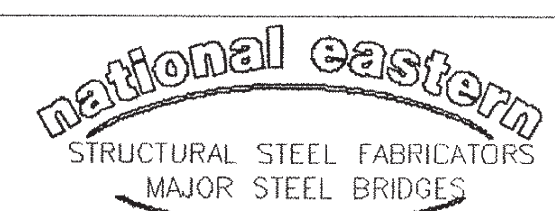


TYPICAL CAMBER PROFILE LAYOUT

NOTE: ALL TOS ELEV. @ STEEL NO LOAD POSITION

RECEIVED
 OK'D BY: *CM* OK'D BY: *CM*
 APR 14 2003
 RESUBMIT: _____ APPROVED:
 BY: *GSR* DATE: *4/15/03*

FOR APPROVAL

ITEM NO.	506.55	BR. NO.	6	PROJ. NO.	BRO 1443(32)
TITLE: STRUCTURAL STEEL - TOS ELEV. WORK SHEET					
APPROVED:	 STRUCTURAL STEEL FABRICATORS MAJOR STEEL BRIDGES PLAINVILLE, CT 860-747-3700				
PRINT DIST.					
6 3/25/03 APPR.					
ORIG. FAB.					
JOB: CL 2 LOCAL BRIDGE NO. 6 RTE. TH 6 OVER THE POULTNEY RIVER RUTLAND COUNTY FAIRHAVEN, VERMONT - HAMPTON, NEW YORK					
CUSTOMER: AUSTIN CONSTRUCTION, INC.					
DESIGNER: VERMONT AGENCY OF TRANSPORTATION					
CHECKED DS/NEC 3/24/03		DRAWN RAB/NEC 3/13/03		WORK ORDER NO.	15948
				DRAWING NO.	W1
				REV.	