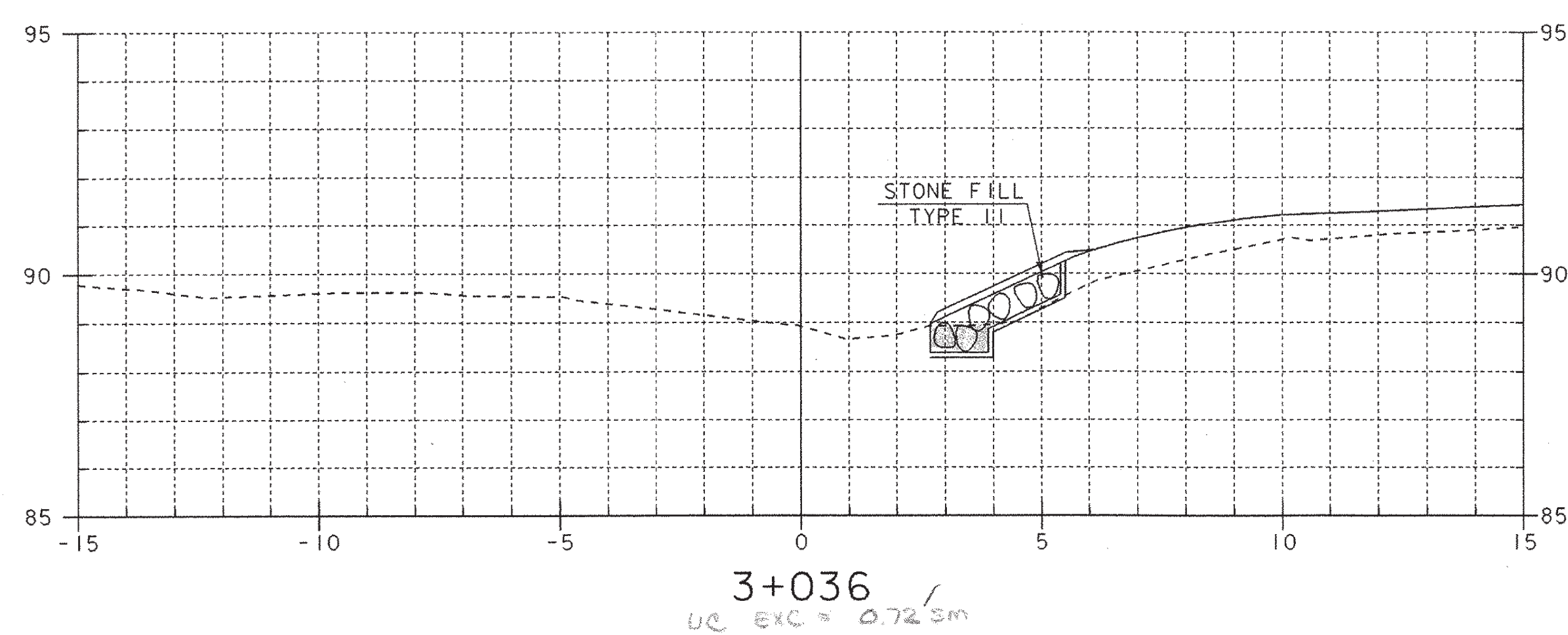
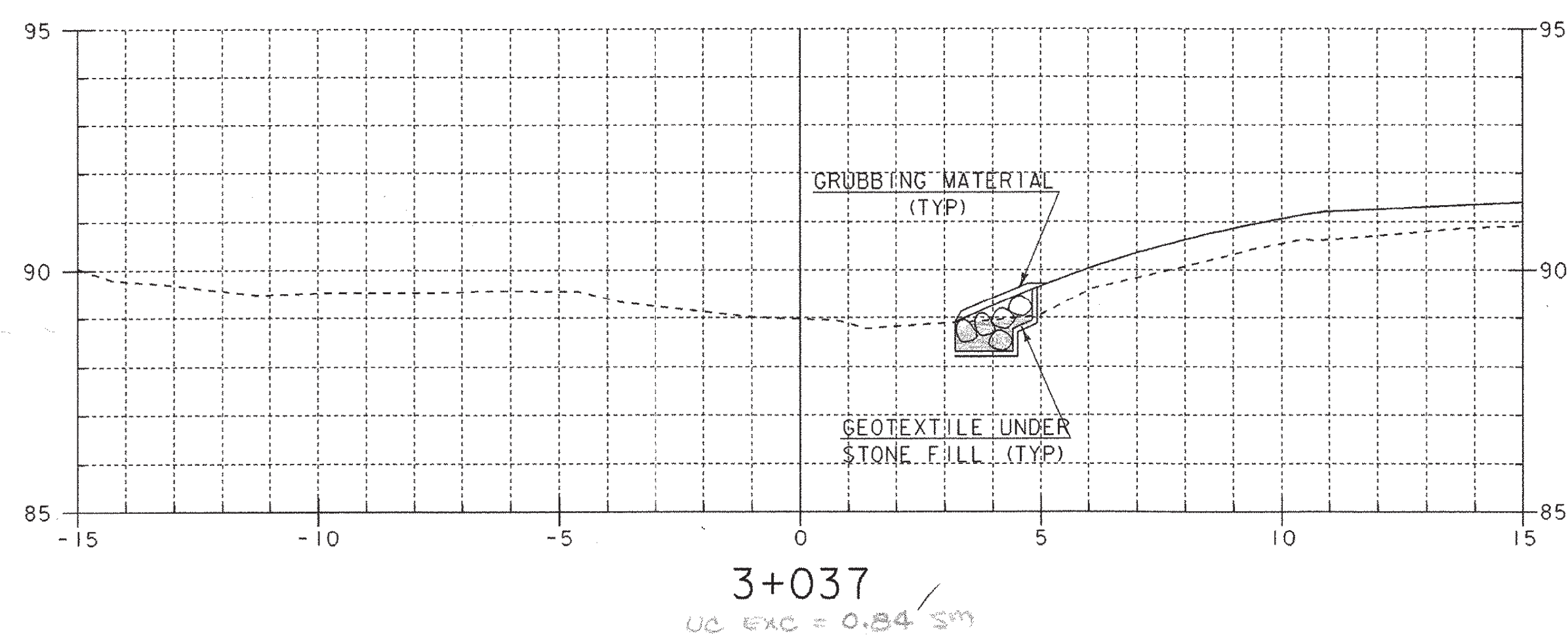


STA. 3+037.900 RT.
 END UNCLASSIFIED EXCAVATION, = 0.84 sm.
 GEOTEXTILE UNDER STONE FILL
 & STONE FILL, TYPE II



1 by RAD 10-05-04

SHEET NAME: BOX CULVERT CROSS SECTIONS	
PROJECT NAME: FAIR HAVEN-HAMPTON	HIGHWAY NO.: TH 6
PROJECT NUMBER: BRO 1443(32)	BRIDGE NO.: 6
	OVER: POULTNEY RIVER
FILE NAME: /str1/93j021/sj021xs.dgn	PLOT DATE: 28-JAN-2003
PROJECT MANAGER: G.S. ROGERS	DRAWN BY: STRI
DESIGNED BY: C. MEUNIER	IPARM NAME: sj021bx5.j
BRIDGE SHEET NUMBER:	SHEET 53 OF 53