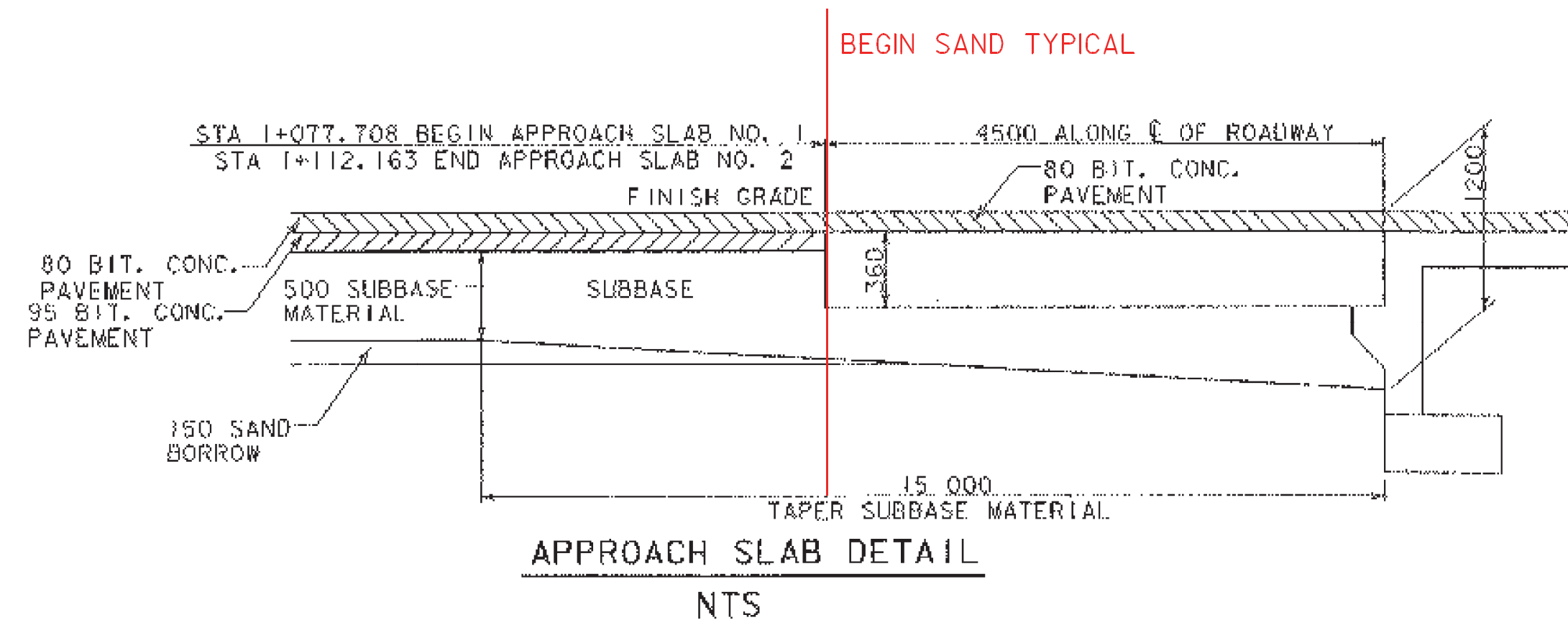
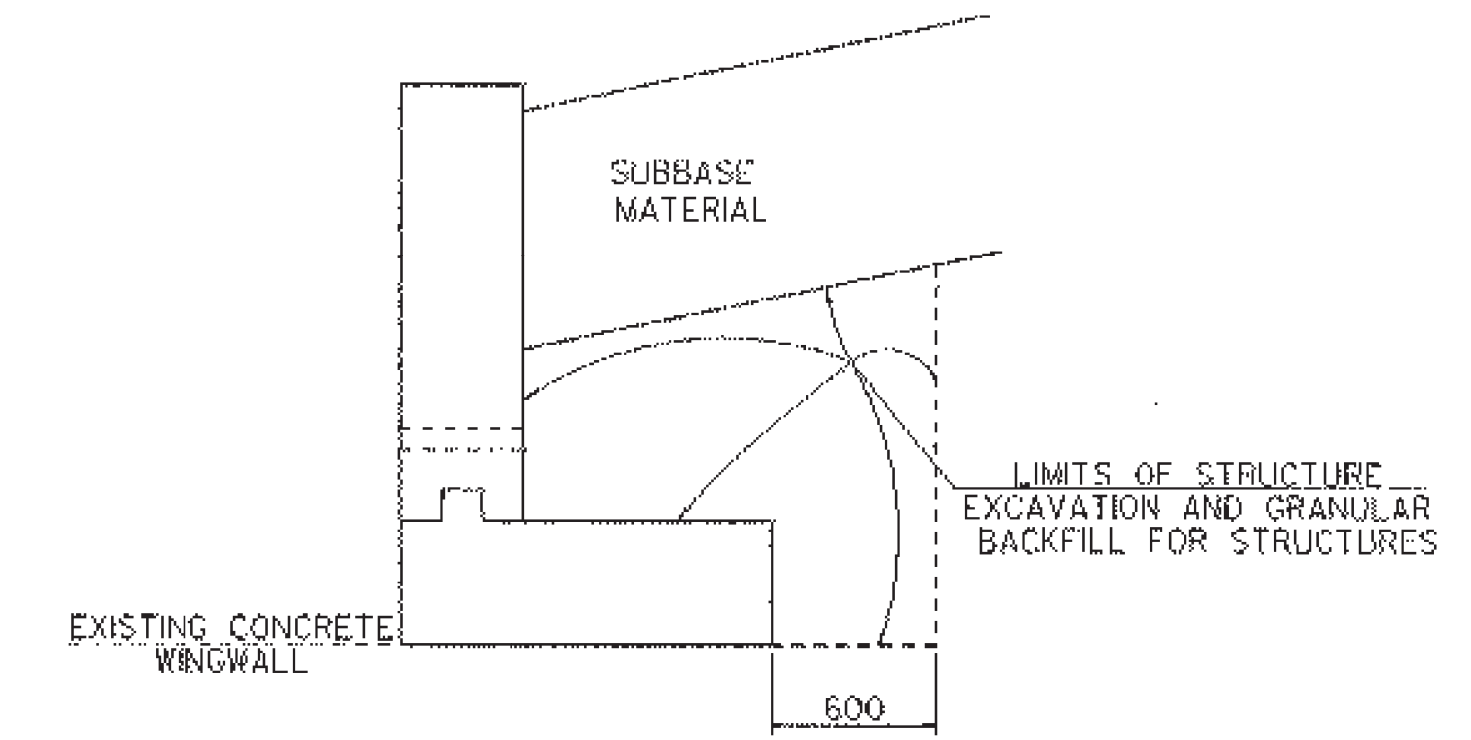
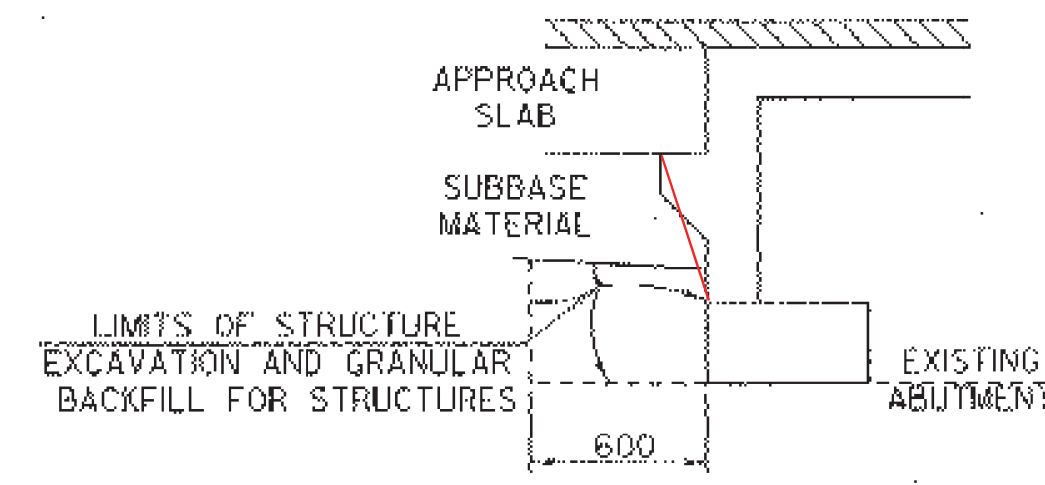
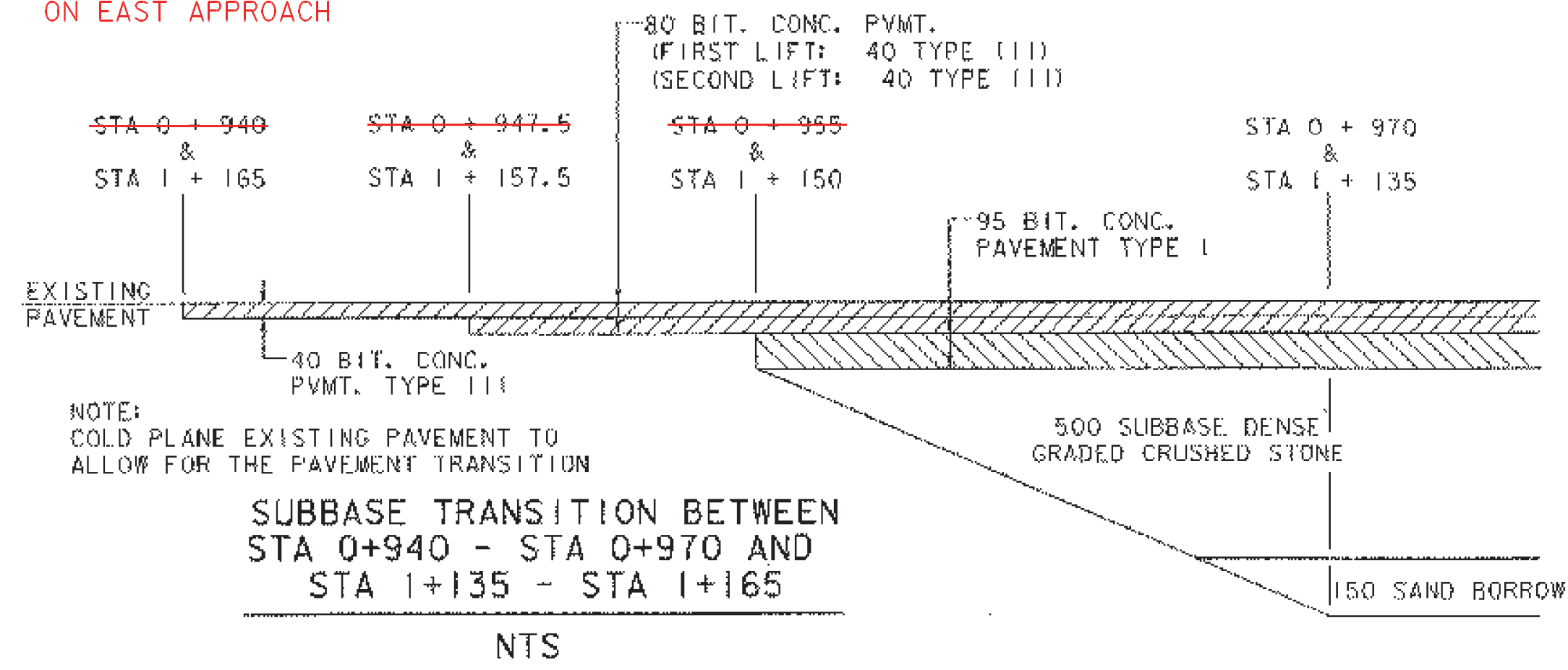
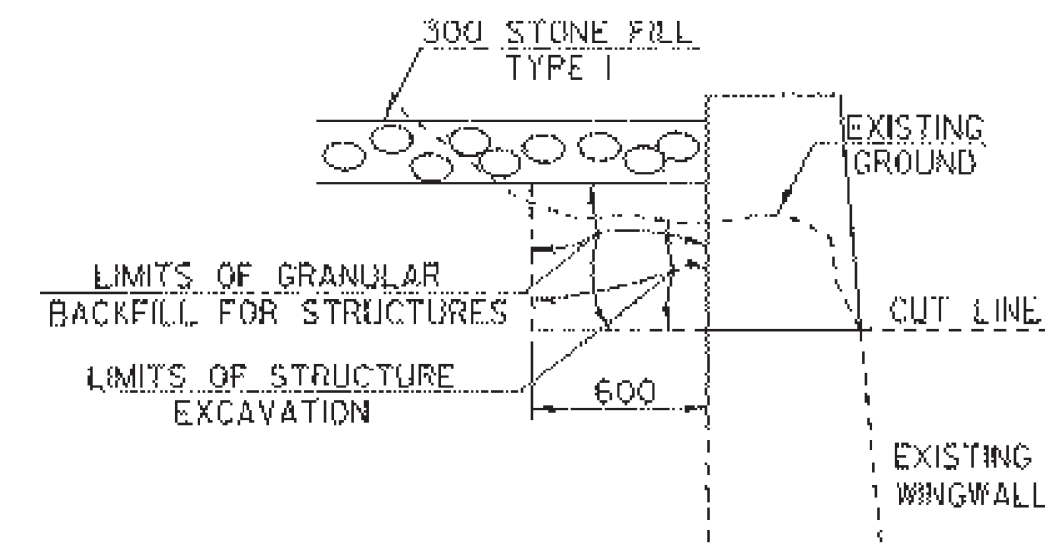


*NO COLD PLANING DONE ON EAST APPROACH

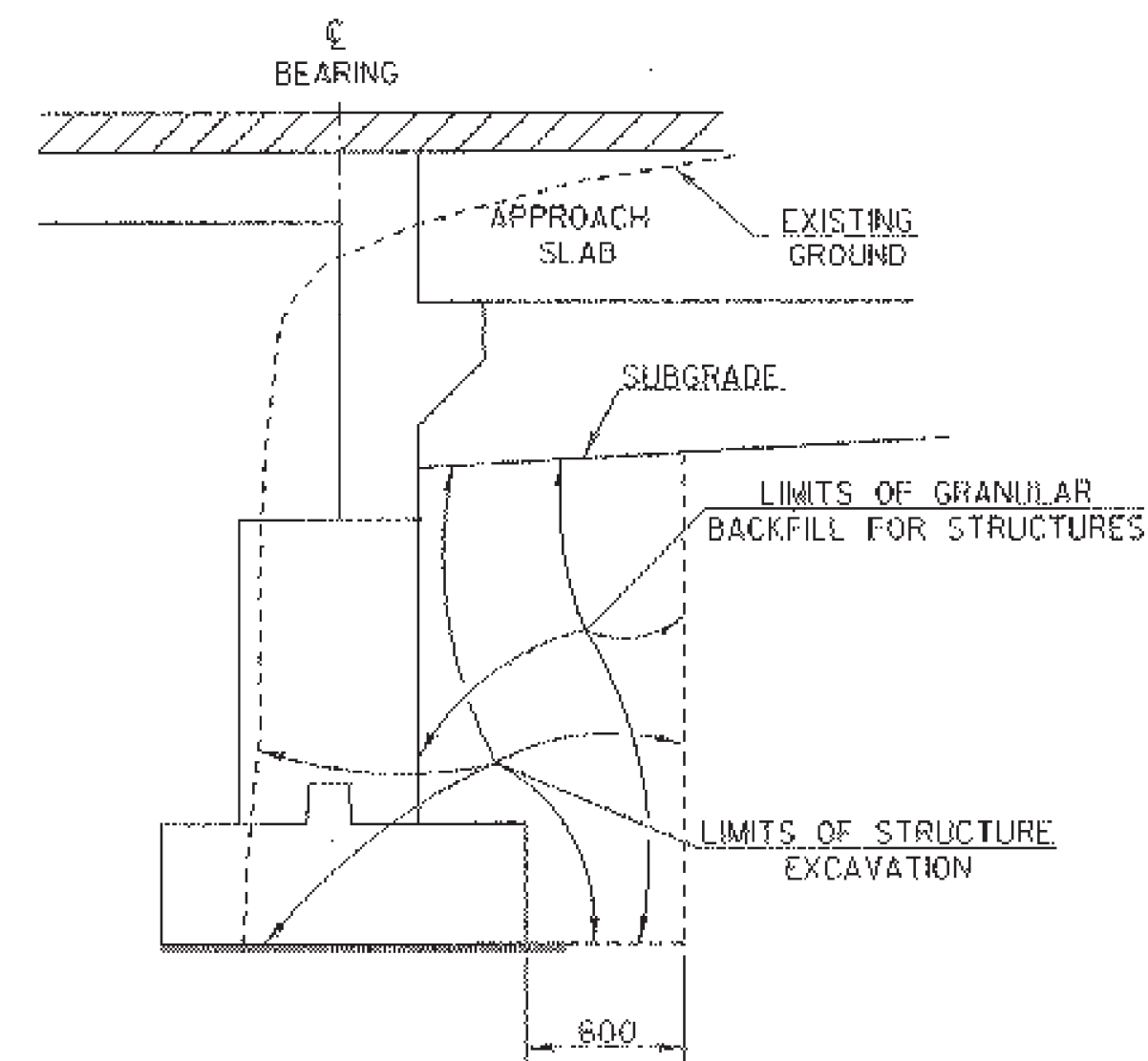


ABUTMENT NO. 1
NTS

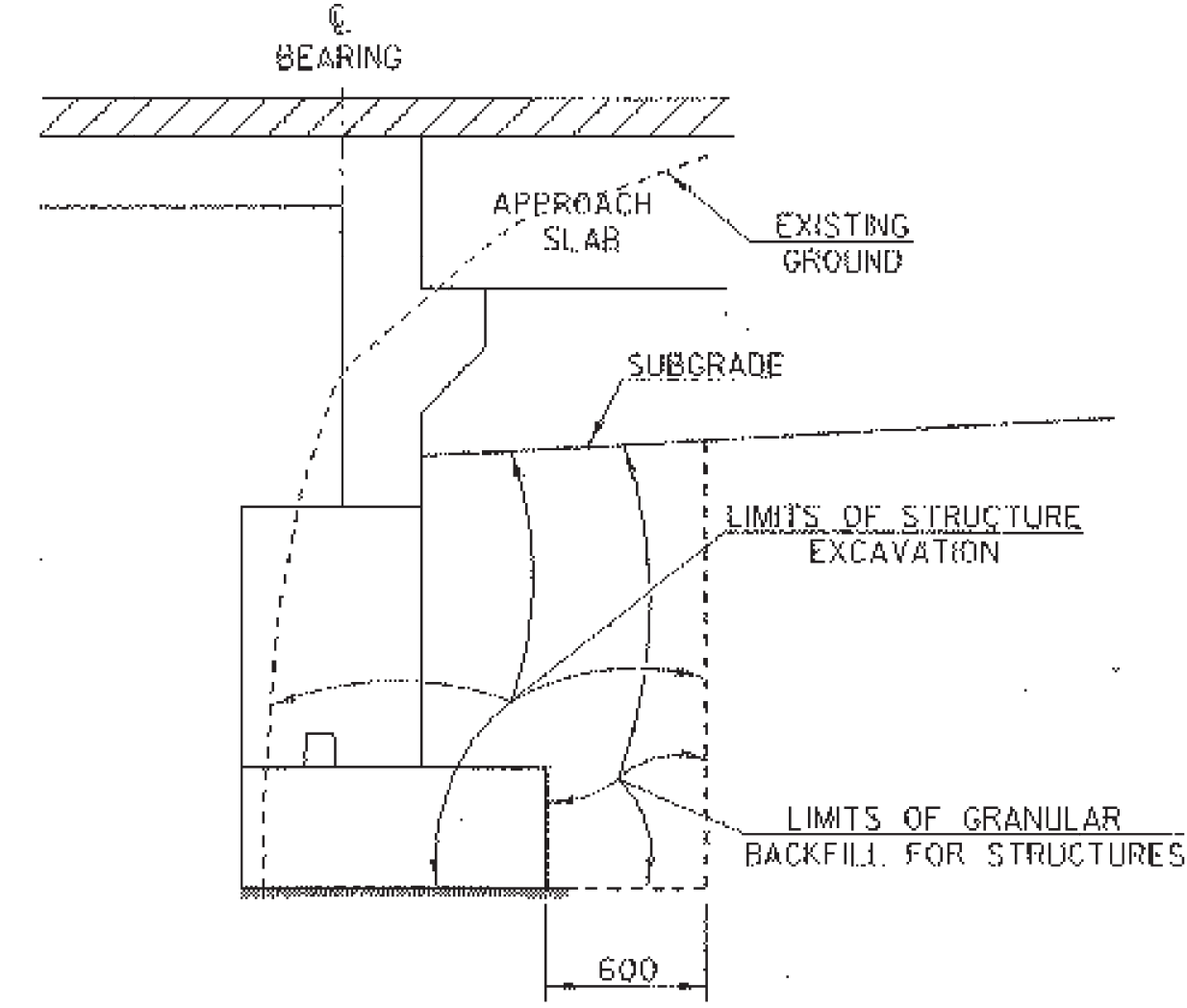
WINGWALL NO. 1
NTS



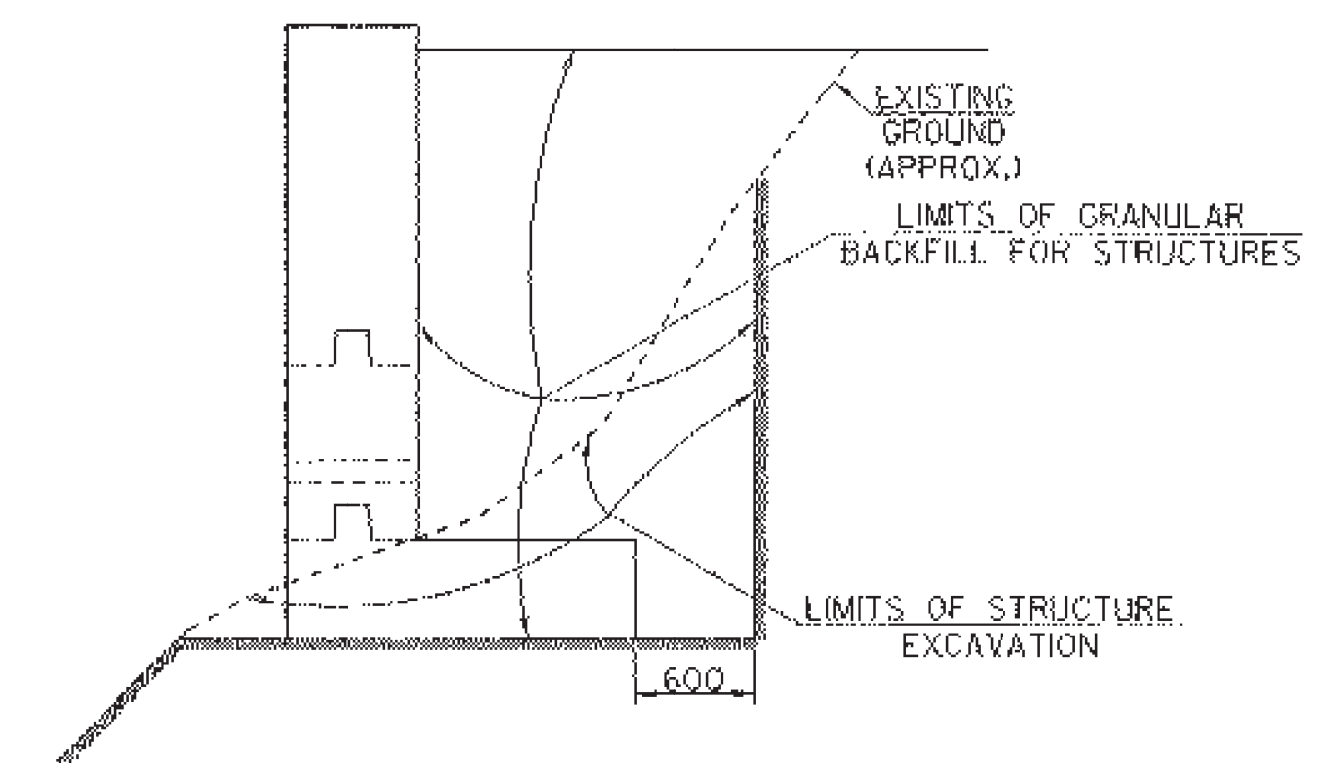
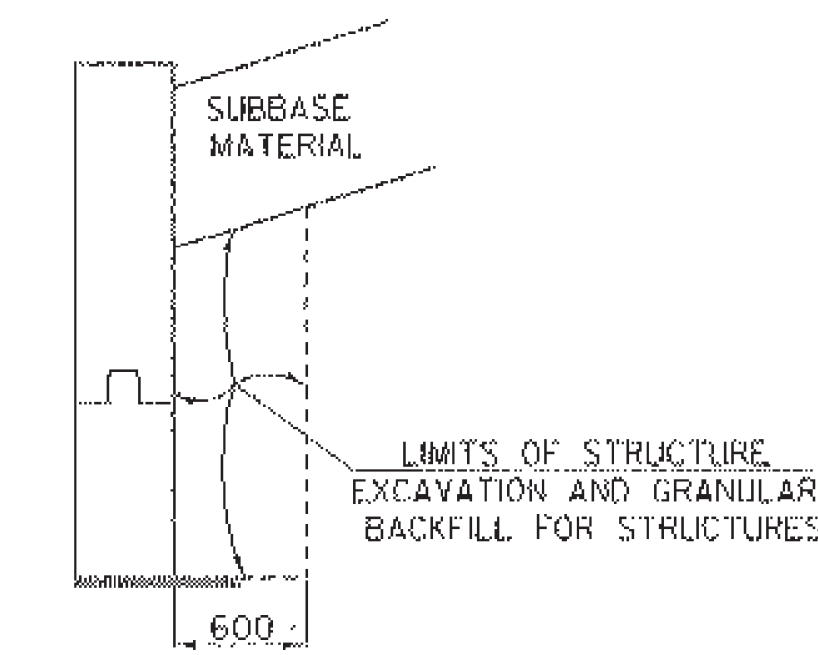
WINGWALL NO. 2
NTS



ABUTMENT NO. 2
NTS



WINGWALL NO. 3
NTS



WINGWALL NO. 4
NTS

SHEET NAME: SUBBASE TRANSITION AND EXCAVATION DETAILS	
PROJECT NAME: FAIR HAVEN-HAMPTON	HIGHWAY NO.: 1H 6
PROJECT NUMBER: BRO 1443(32)	BRIDGE NO.: 6
	OVER: POULTNEY RIVER
FILE NAME: 781r1/93j02l/sj02lx6.dgn	PLOT DATE: 28-JAN-2003
PROJECT MANAGER: G.S. ROGERS	DRAWN BY: STRI
DESIGNED BY: C. MEUNIER	IPARM NAME: sj02lmx8.i
BRIDGE SHEET NUMBER:	SHEET 36 OF 53