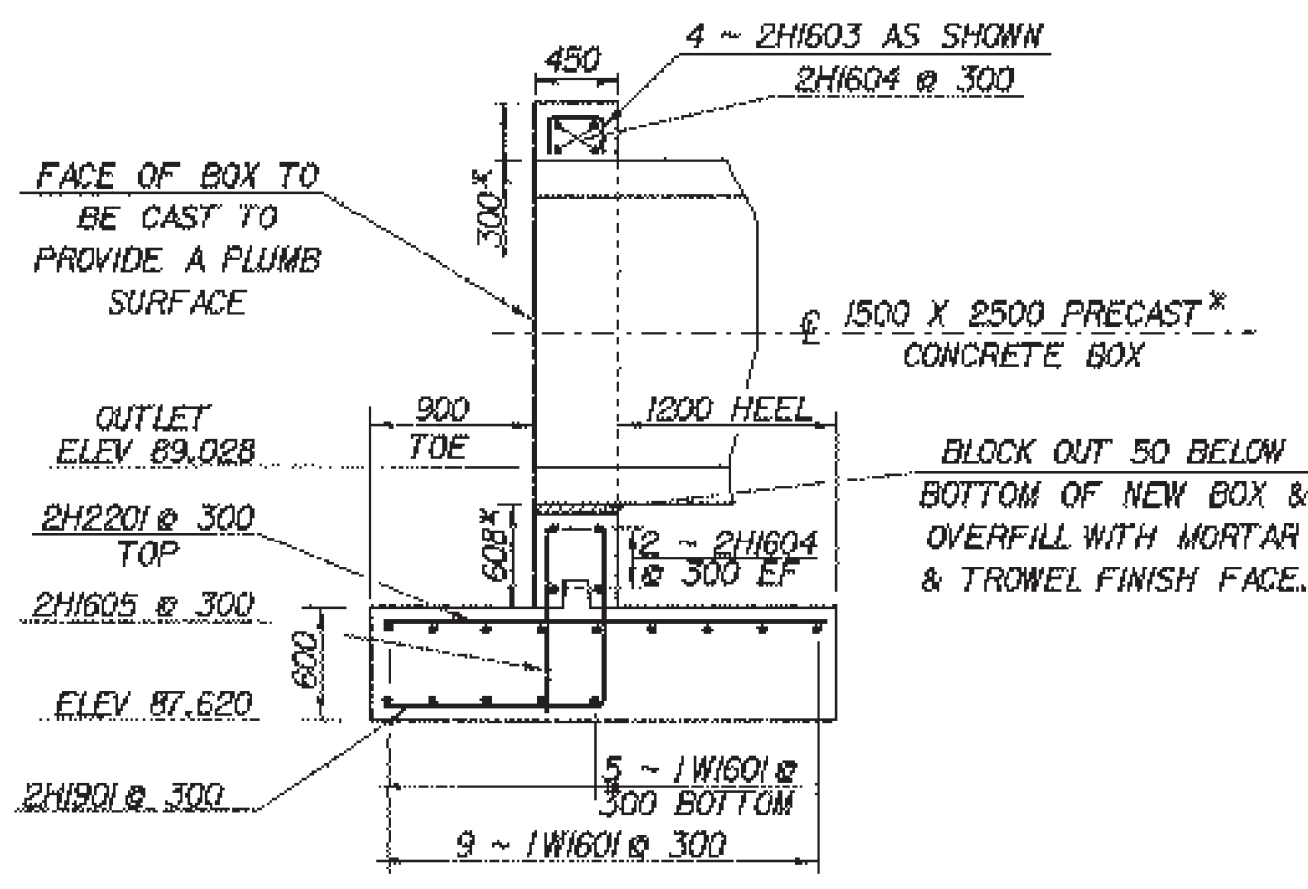
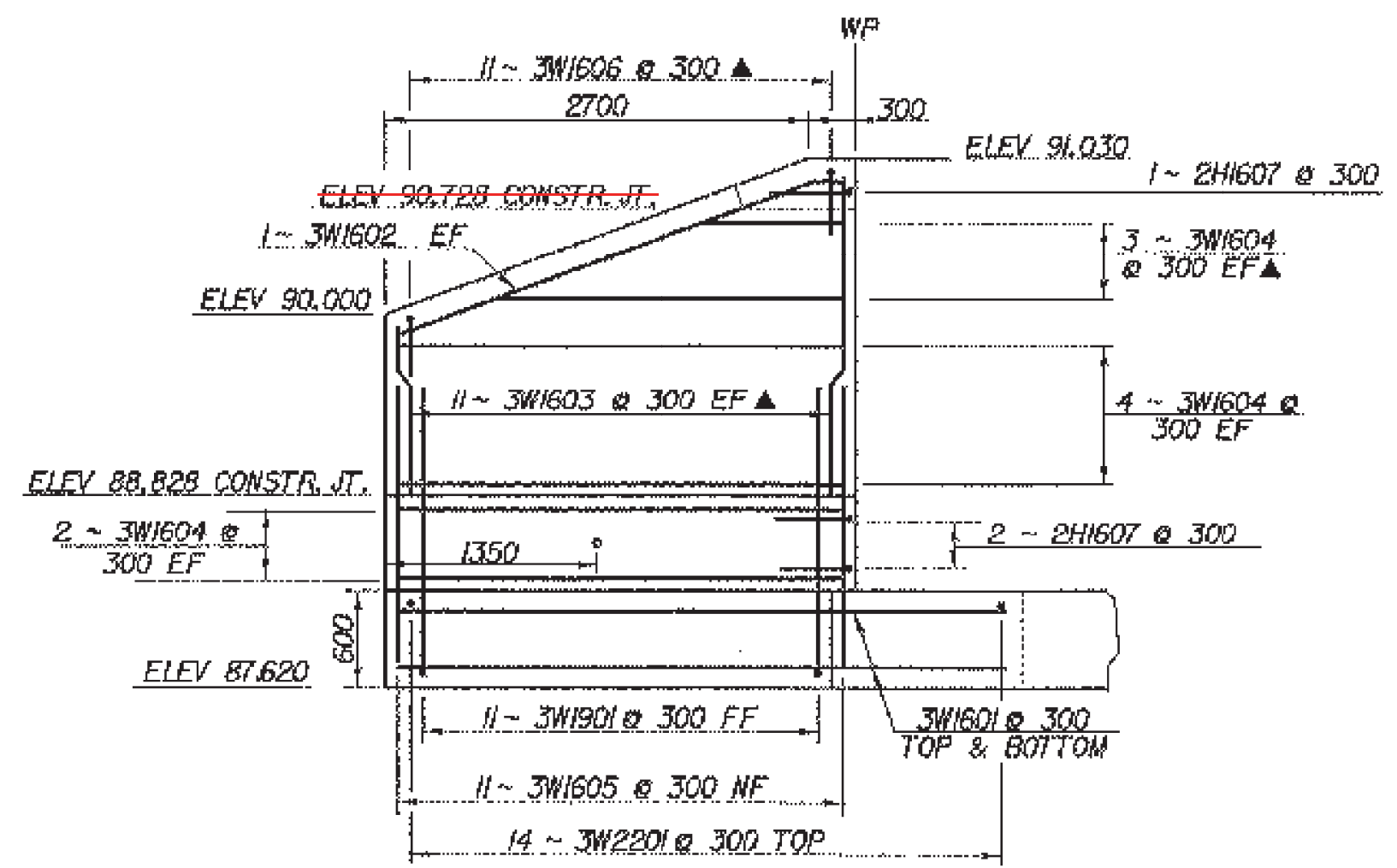


HEADWALL NO. 2 PLAN AT OUTLET
SCALE = 1:40

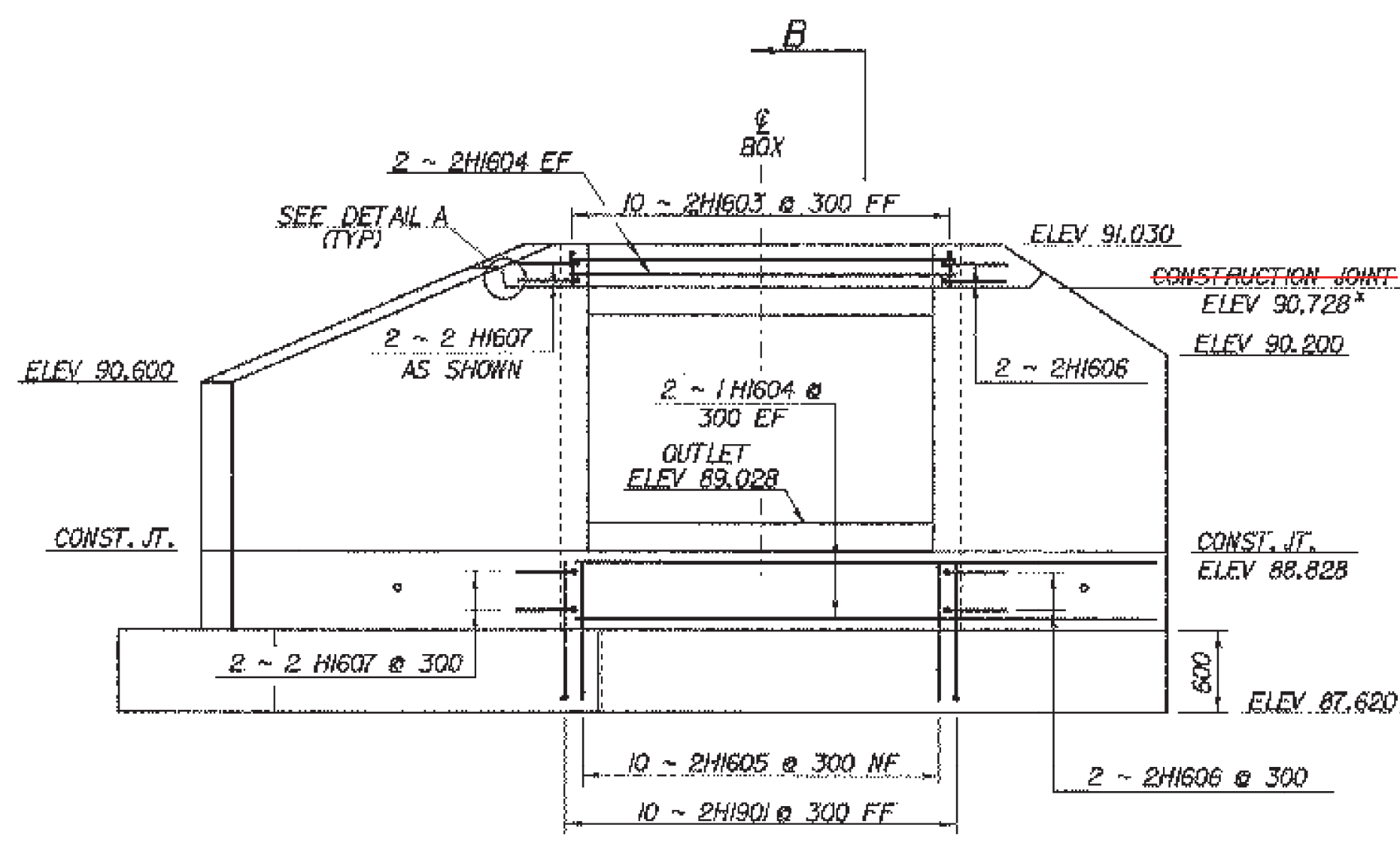


OUTLET HEADWALL SECTION B-B
SCALE = 1:40

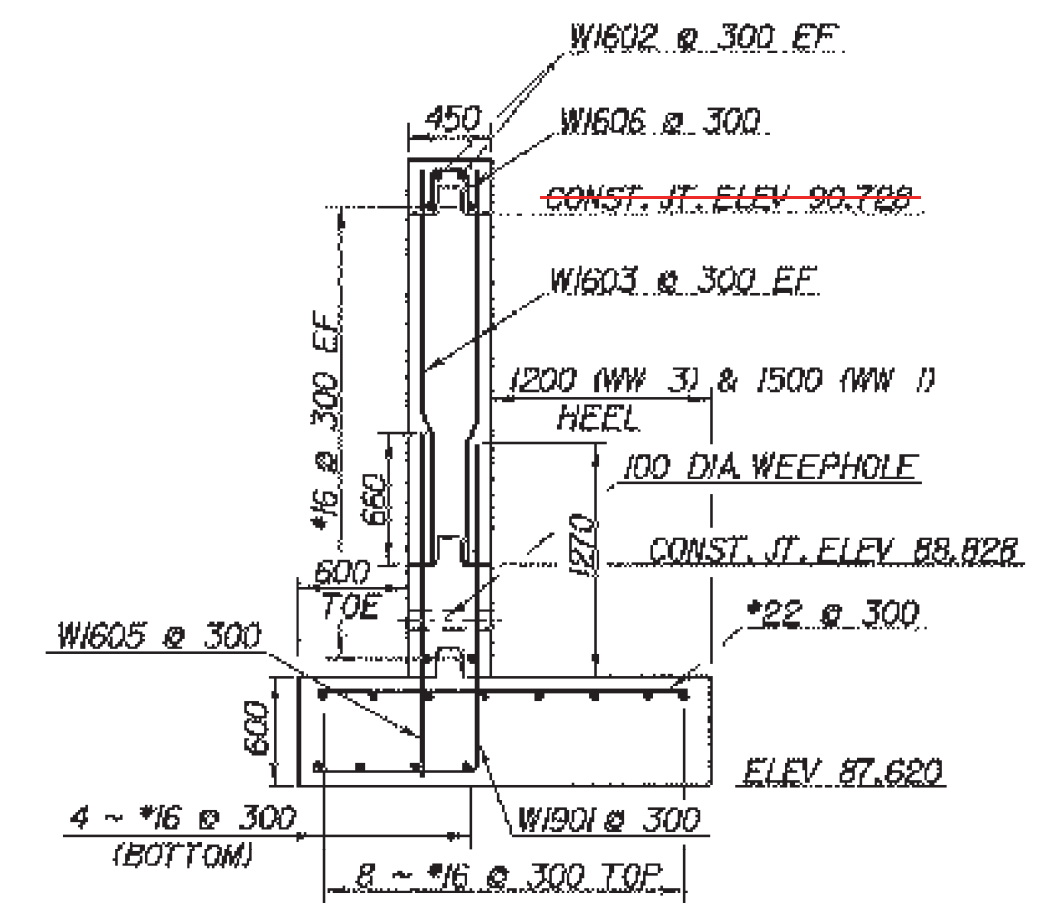


WINGWALL NO. 3 ELEVATION
SCALE = 1:40

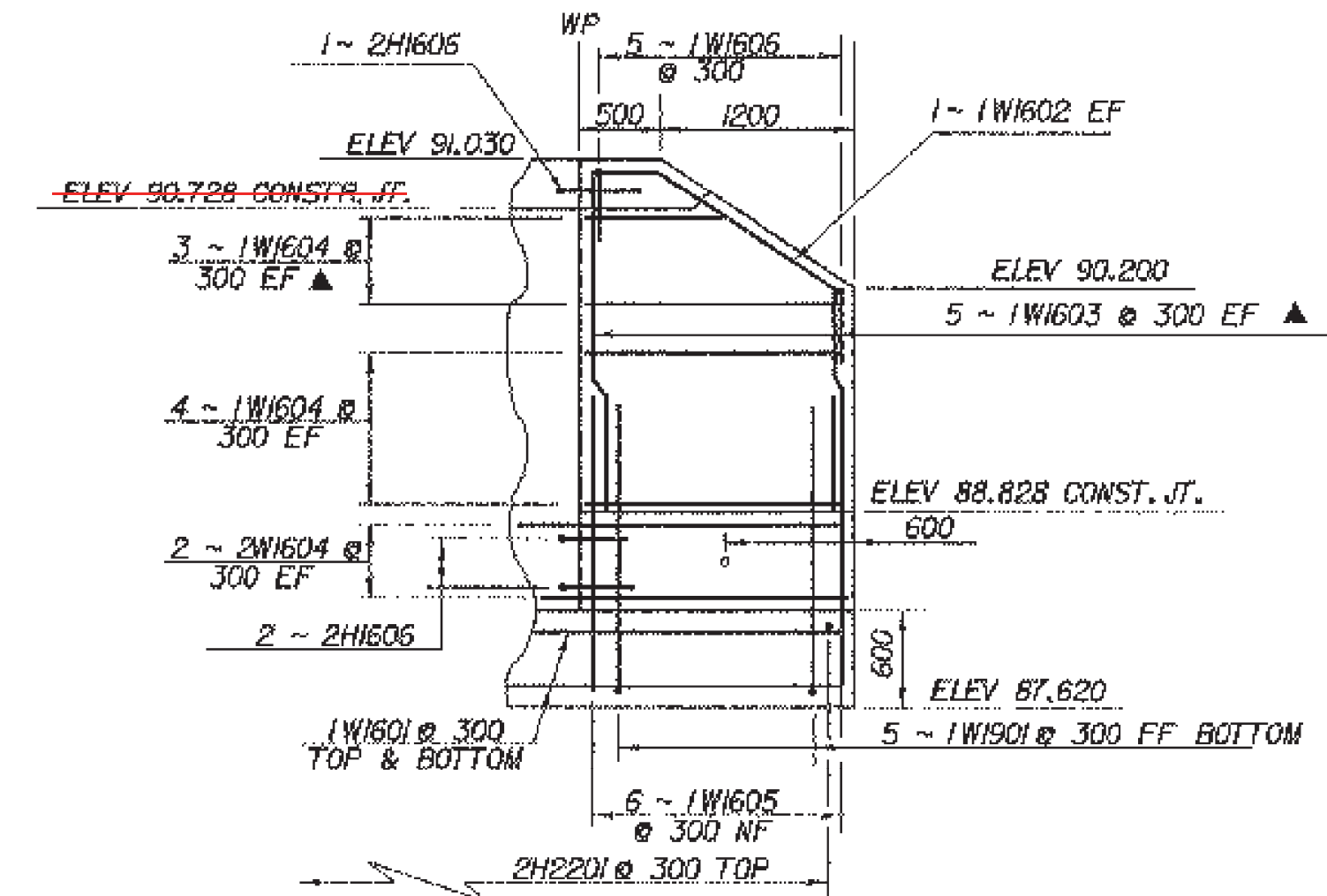
* DIMENSIONS SHOWN ARE FOR AN ASSUMED RC BOX WALL THICKNESS OF 200 mm. ACTUAL DIMENSIONS MAY VARY.



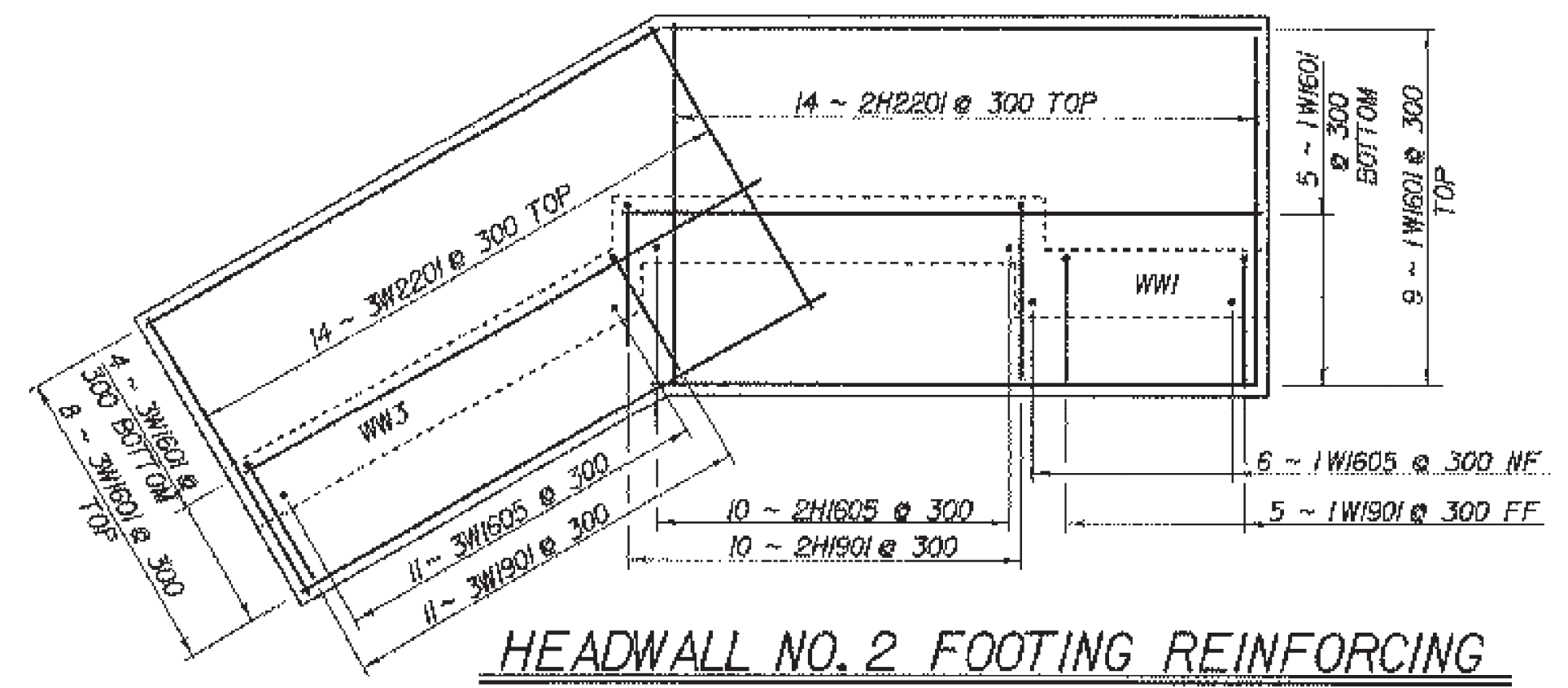
HEADWALL NO. 2 ELEVATION
SCALE = 1:40



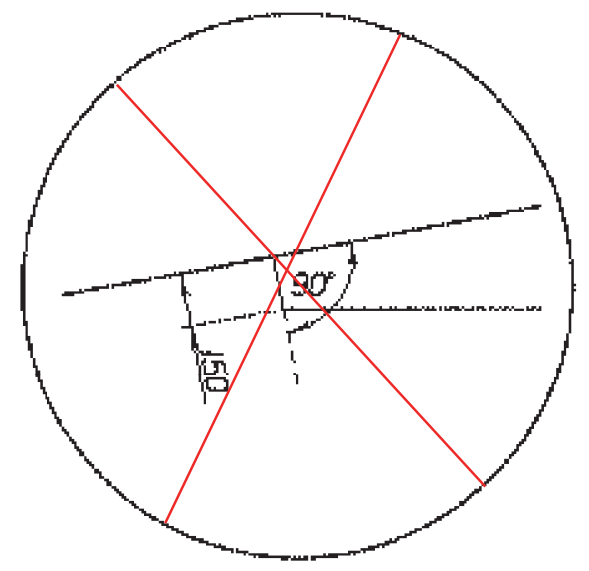
WINGWALL SECTION TYPICAL
SCALE = 1:40



WINGWALL NO. 1 ELEVATION
SCALE = 1:40



HEADWALL NO. 2 FOOTING REINFORCING
SCALE = 1:40



DETAIL A (TYP)
SCALE = 1:20

NOTE:
NF - NEAR FACE
FF - FAR FACE
EF - EACH FACE
▲ - CUT TO FIT IN FIELD
80 CLR. UNLESS OTHERWISE SPECIFIED ON THE PLANS.
3000 MAX WEEPHOLE SPACING

SHEET NAME: HEADWALL NUMBER 2	
PROJECT NAME: FAIR HAVEN-HAMPTON	HIGHWAY NO.: TH 6
PROJECT NUMBER: BRO 1443(32)	BRIDGE NO.: 6
FILE NAME: /str/193j021/sj021box.dgn	PLOT DATE: 23-MAR-2005
PROJECT MANAGER: C.S. ROGERS	DRAWN BY: J.GILMORE
DESIGNED BY: C. MEUNIER	IPARM NAME: sj021bx9.1
BRIDGE SHEET NUMBER:	SHEET 33 OF 53